

Rating: 20A 125V AC (UL CUL )  
22A 250V AC (ENEC CB CQC)

Contact Resistance: 50m Ω Max  
Insulation Resistance: DC 500V 100M Ω Min.

Dielectric Strength: AC1500V 1 minute

Operating Force: 350±150gf

Mechanical Life: Over 30,000 cycles

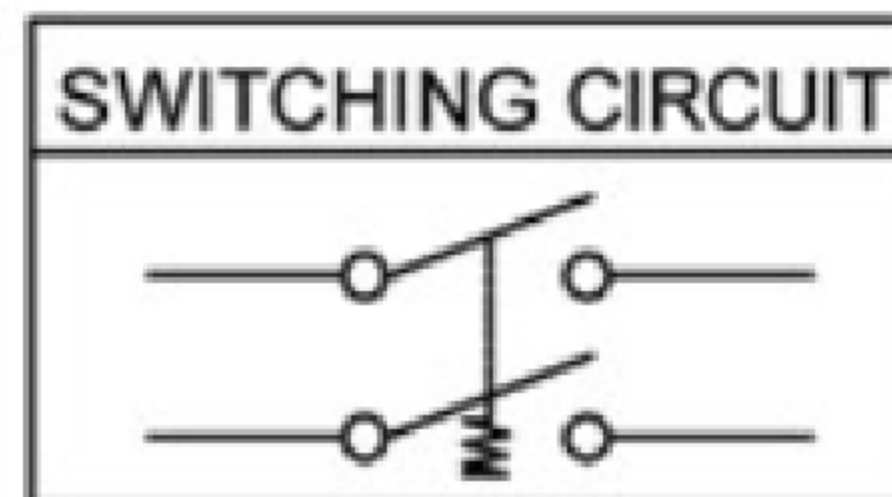
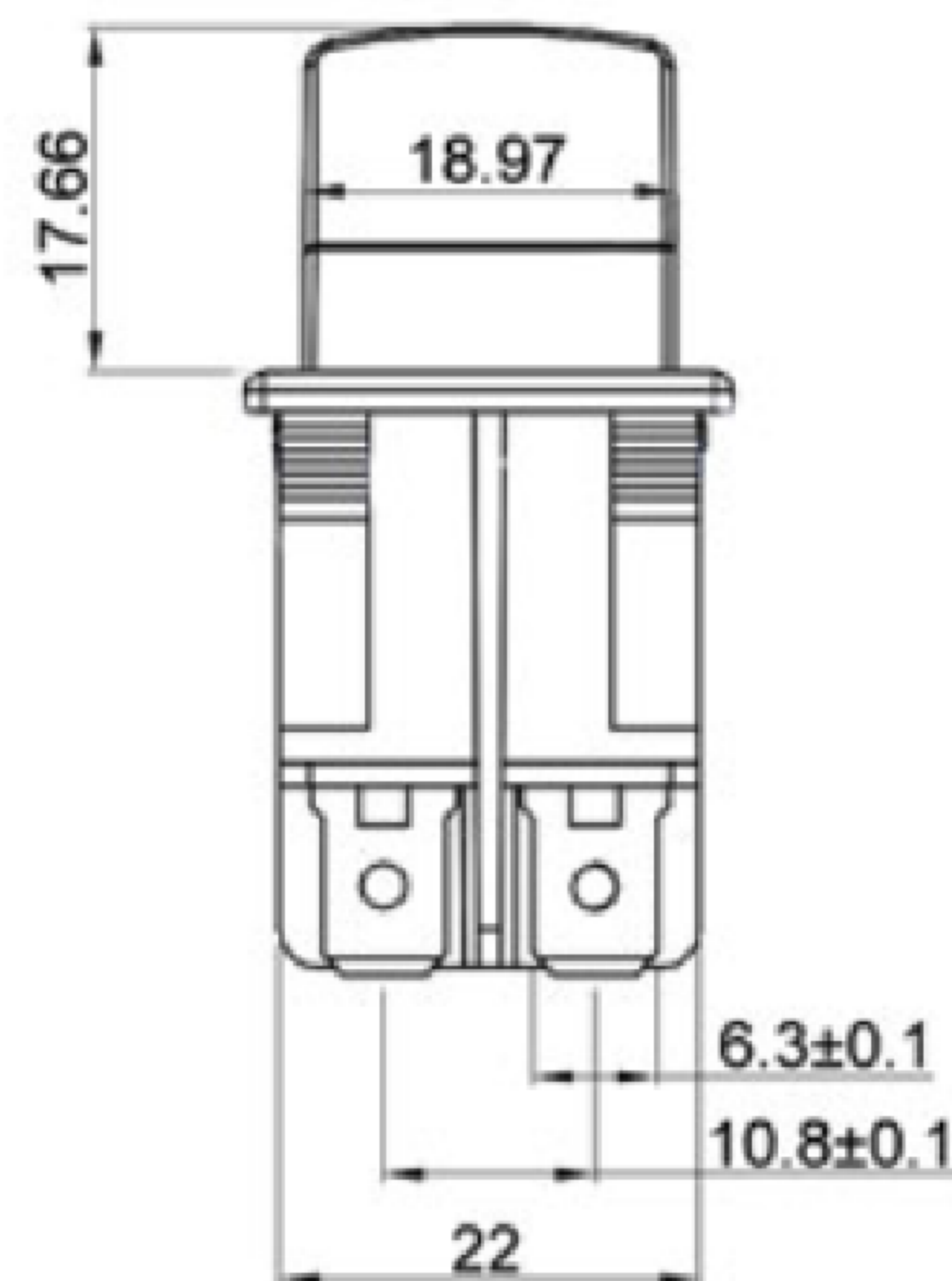
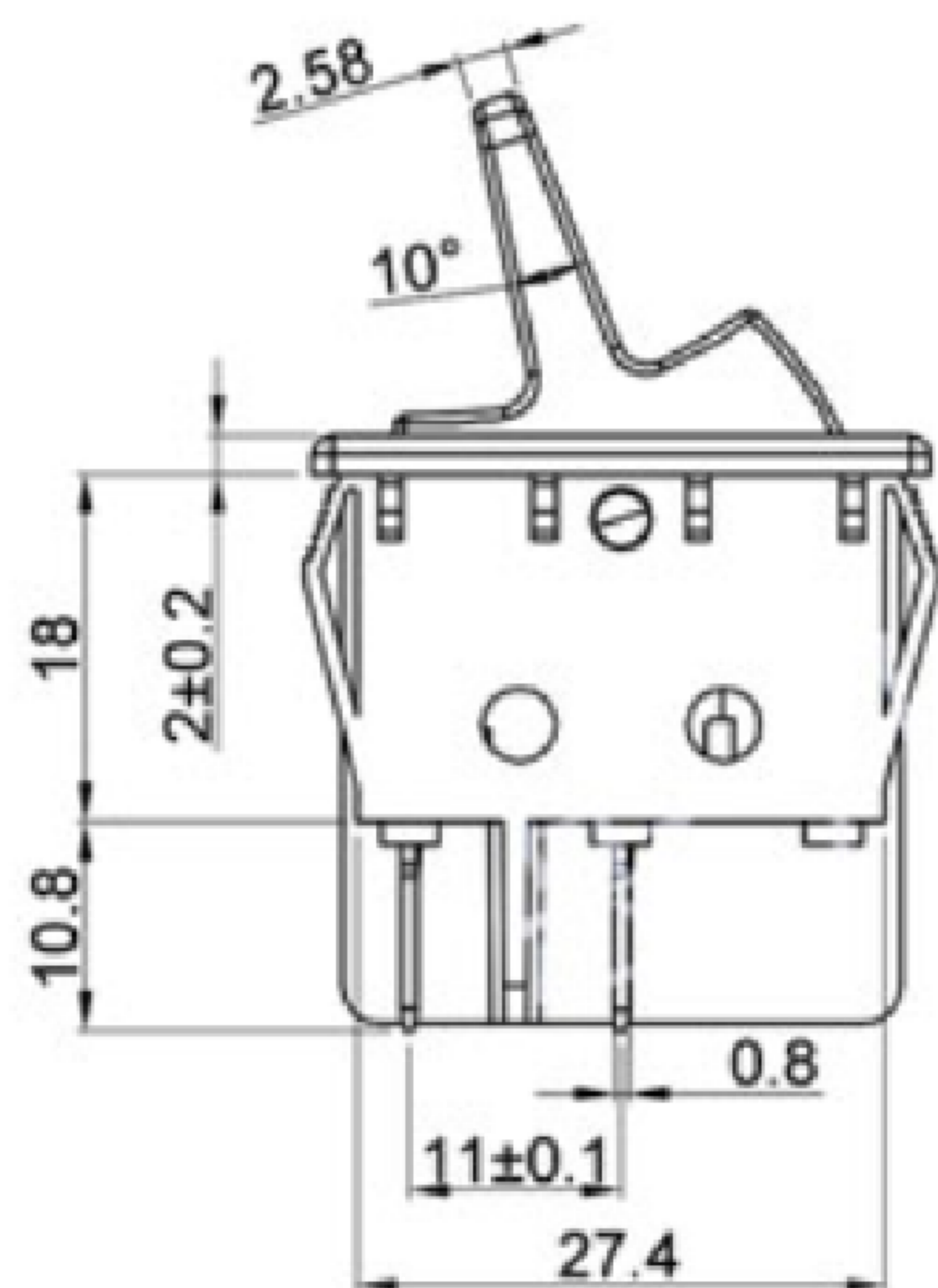
Electrical Life: Over 10,000 cycles

Operating Temperature: 0 °C~85 °C

Safety Approval: cULus CQC CE05 KEMA

Function: OFF-(ON)

CUT-OUT



	X	Y
0.75~1.25	30.0+0.1	22.0+0.1
1.25~2.00	30.2+0.1	22.0+0.1
2.00~3.00	30.4+0.1	22.0+0.1

**广东科斯达电子科技有限公司**  
GUANG DONG KE SI DA ELECTRONIC TECHNOLOGY CO., LTD.

TOLERANCE UNLESS OTHERWISE STATED: Up to 5 ±0.2, Above 5 ~ 15 ±0.3, Above 15 ~ 30 ±0.4, Above 30 ~ 50 ±0.5, Angle ±0.3  
3RD. ANGEL'S  
UNITS MM

DRAWN BY:	DATE	MAT'L	TITLE	SWITCH
Jack Lu	12/27/22			
CHECKED BY:	DATE	FINISH	MODLE	TACT SWITCH WITH LED
Jacky Chen	12/27/22			
APPROVED BY:	DATE	SCALE	DWG NO.	SIZE
Tony Kao	12/27/22	1 : 1		A4
		SHEET NO.	PART NO.	VER
		1 of 1		R