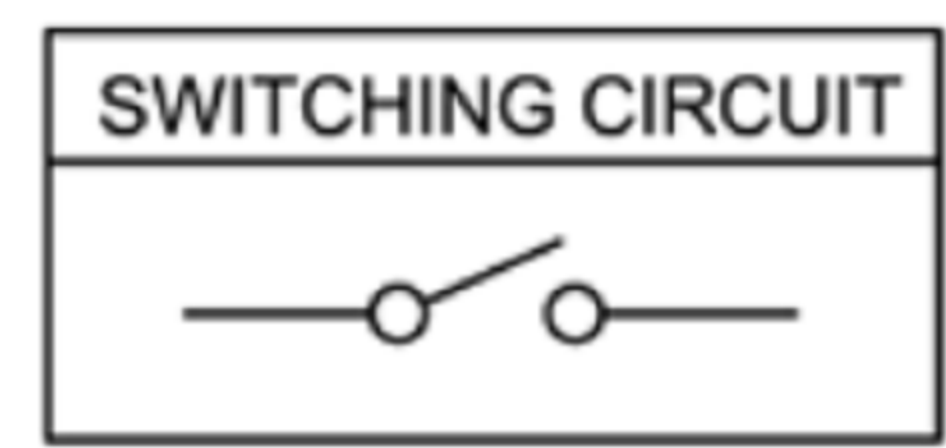
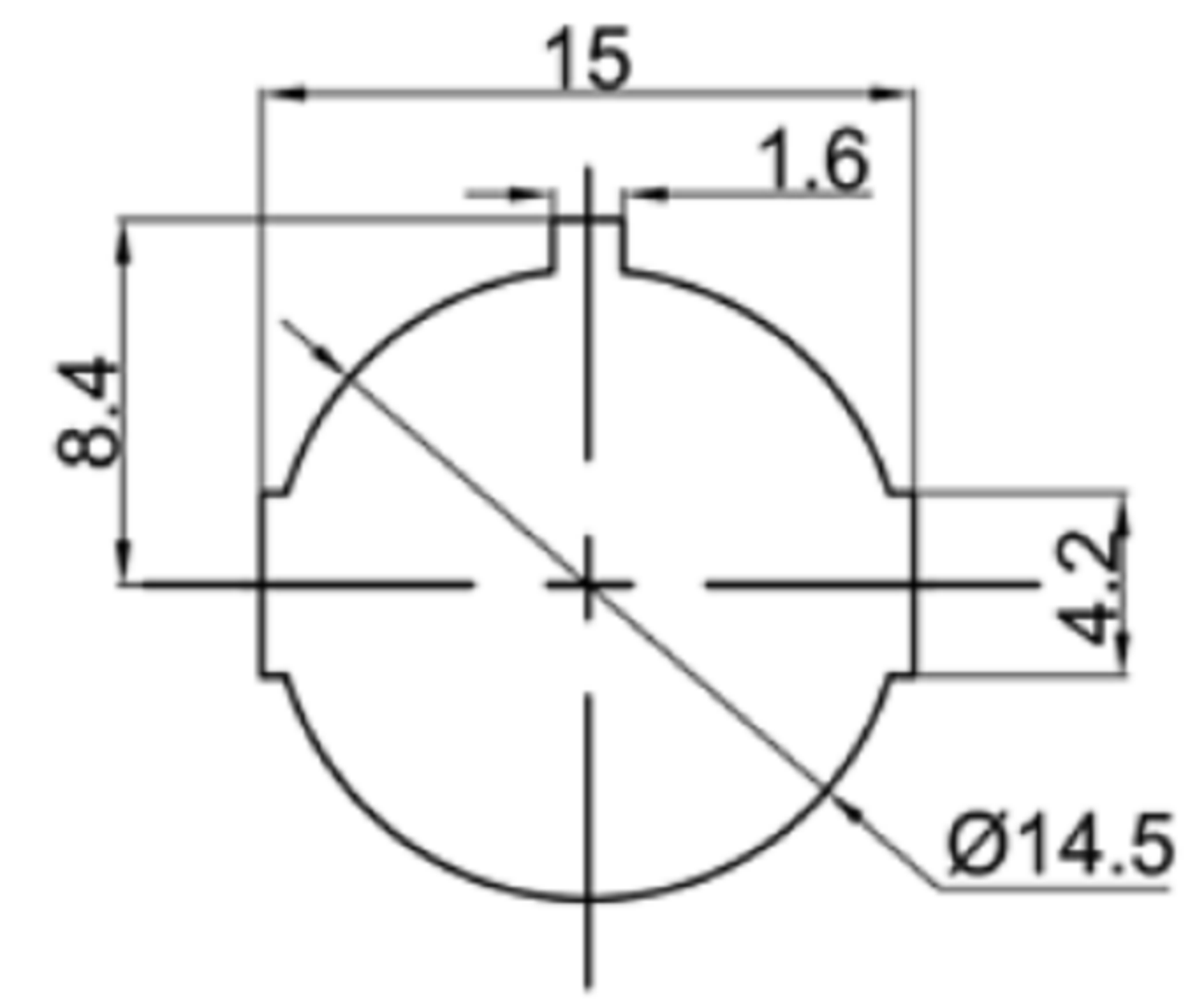
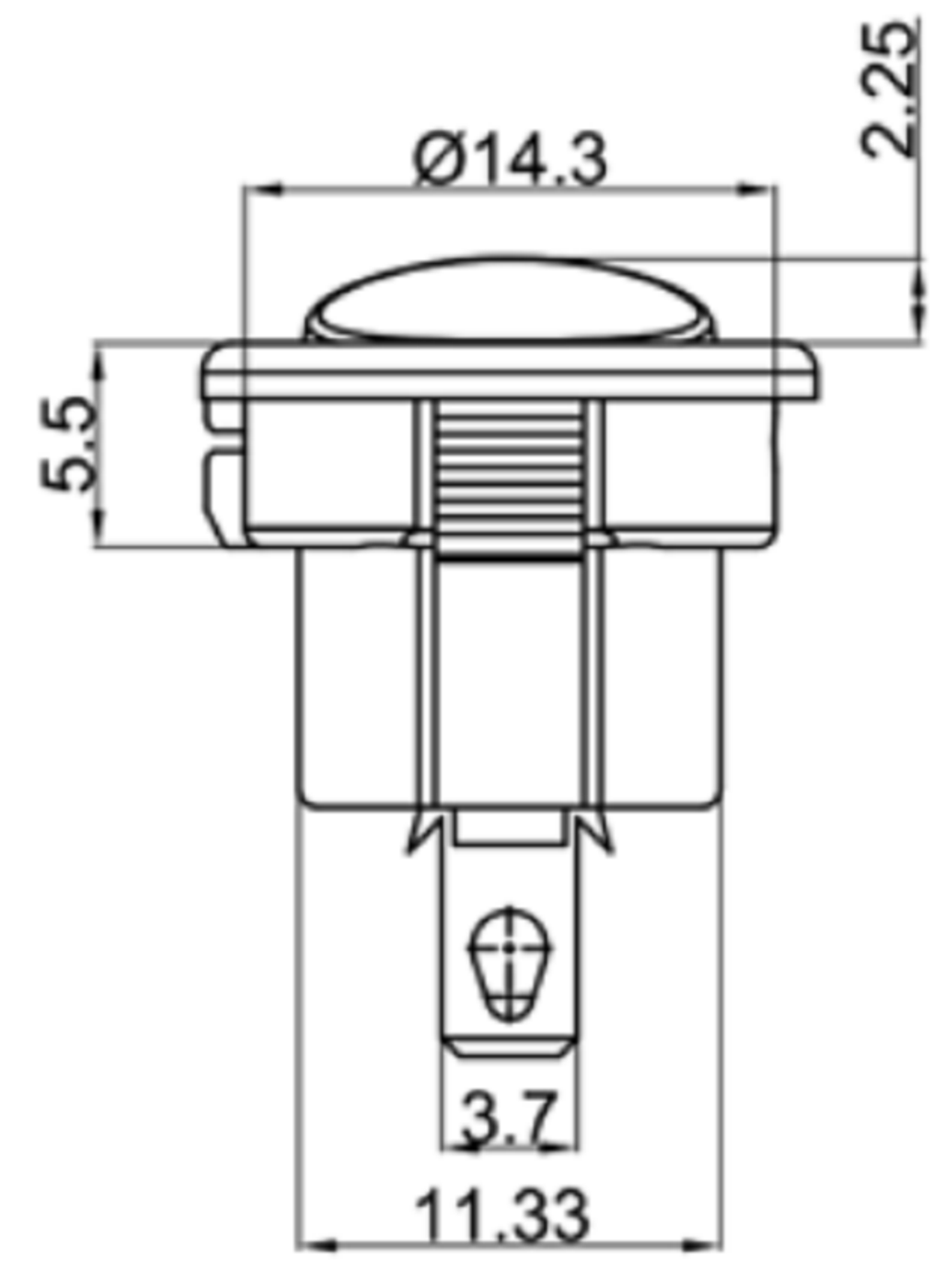
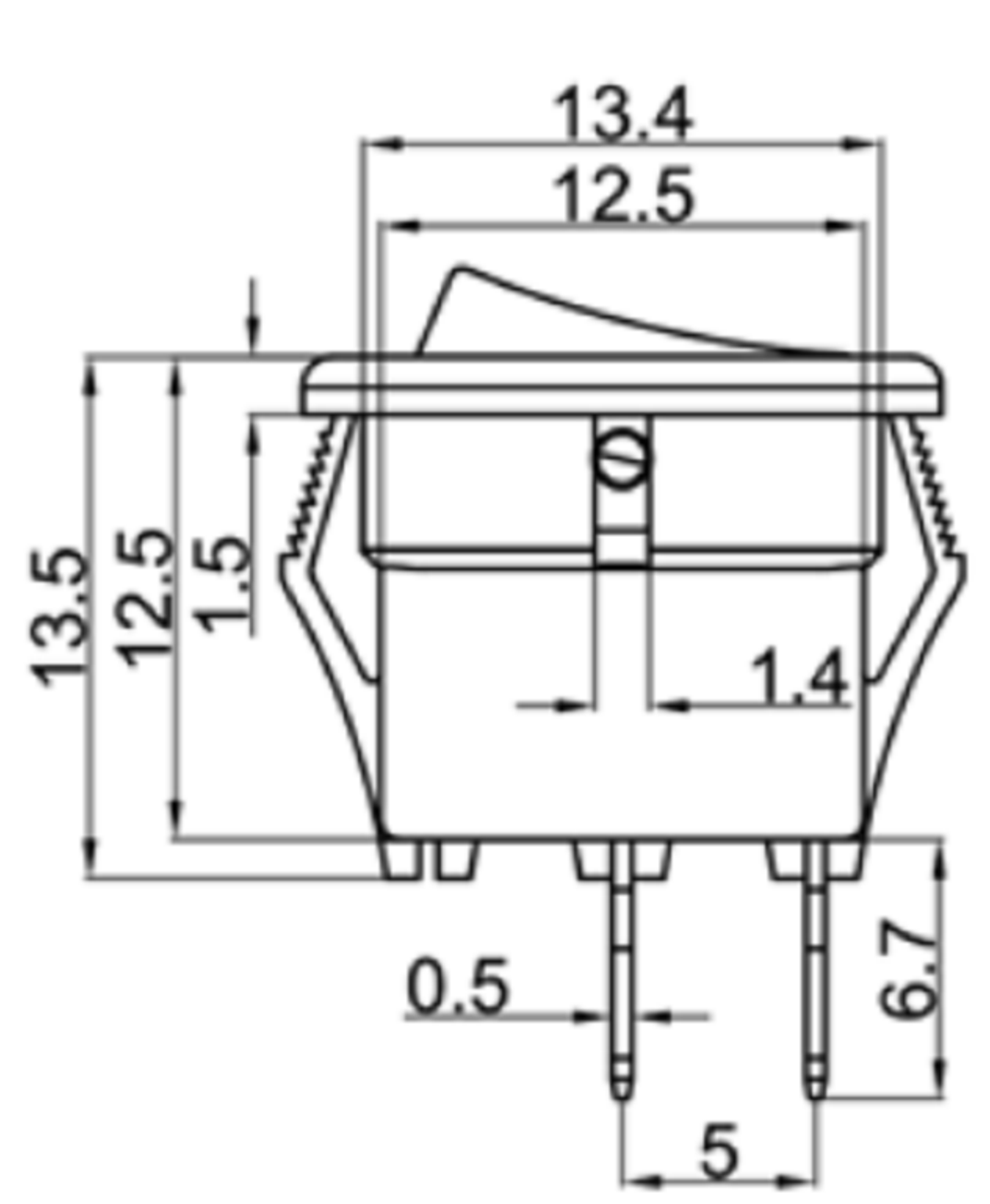


Rating: 6A 125VAC
3A 250VAC

Contact Resistance: 50mΩ max
Insulation Resistance: DC 500V 100MΩ min
Dielectric Strength: AC 1500V 1 minute
Operating Force: 250±100gf
Mechanical Life: 50,000 cycles
Load Life: 10,000 cycles
Operating Temperature: 0°C~85°C

CUT-OUT



X	0	1	2	3	4	5
Marking	None					

广东科斯达电子科技有限公司
GUANG DONG KE SI DA ELECTRONIC TECHNOLOGY CO., LTD.

TOLERANCE UNLESS OTHERWISE STATED: Up to 5 ±0.2, Above 5 ~ 15 ±0.3, Above 15 ~ 30 ±0.4, Above 30 ~ 50 ±0.5, Angle ±0.3°
3RD. ANGEL'S
UNITS MM

DRAWN BY:	DATE	MAT'L	TITLE	SWITCH
Jack Lu	12/27/22		MODLE	TACT SWITCH WITH LED
CHECKED BY:	DATE	FINISH	DWG NO.	
Jacky Chen	12/27/22		SHEET NO.	1 of 1
APPROVED BY:	DATE	SCALE	PART NO.	
Tony Kao	12/27/22	1:1		

ITEM NO.	DESCRIPTION	DRAWN	DATE

SIZE	A4
VER	R