

Panel Cutout

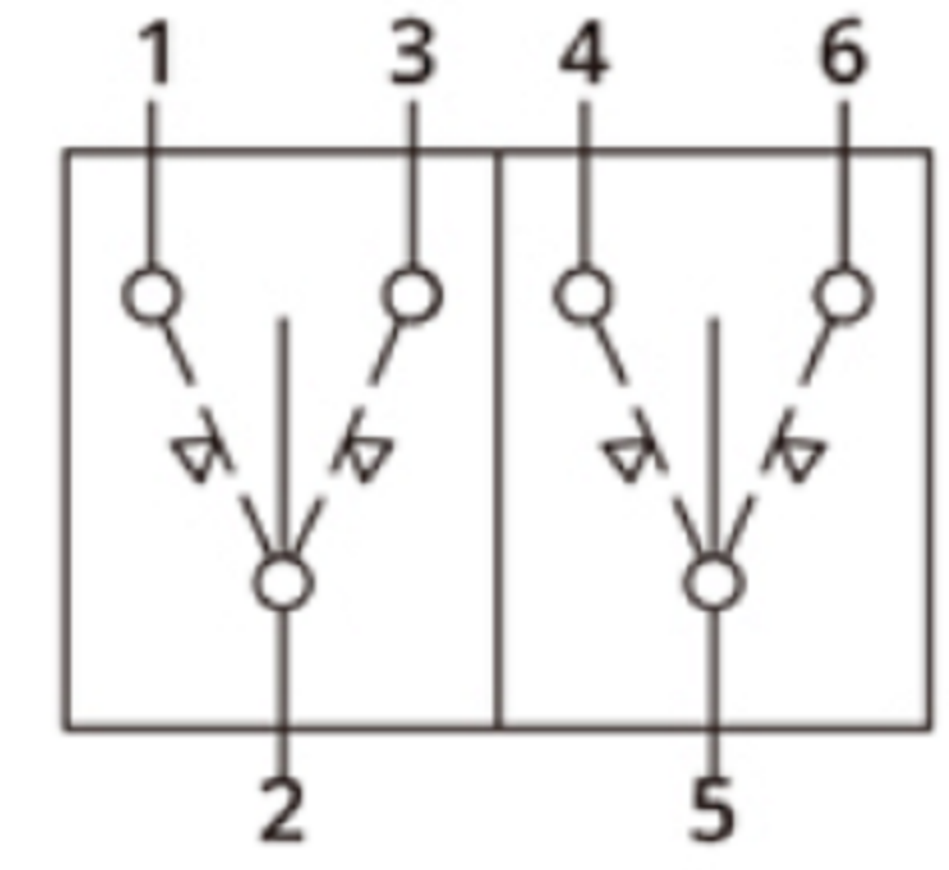
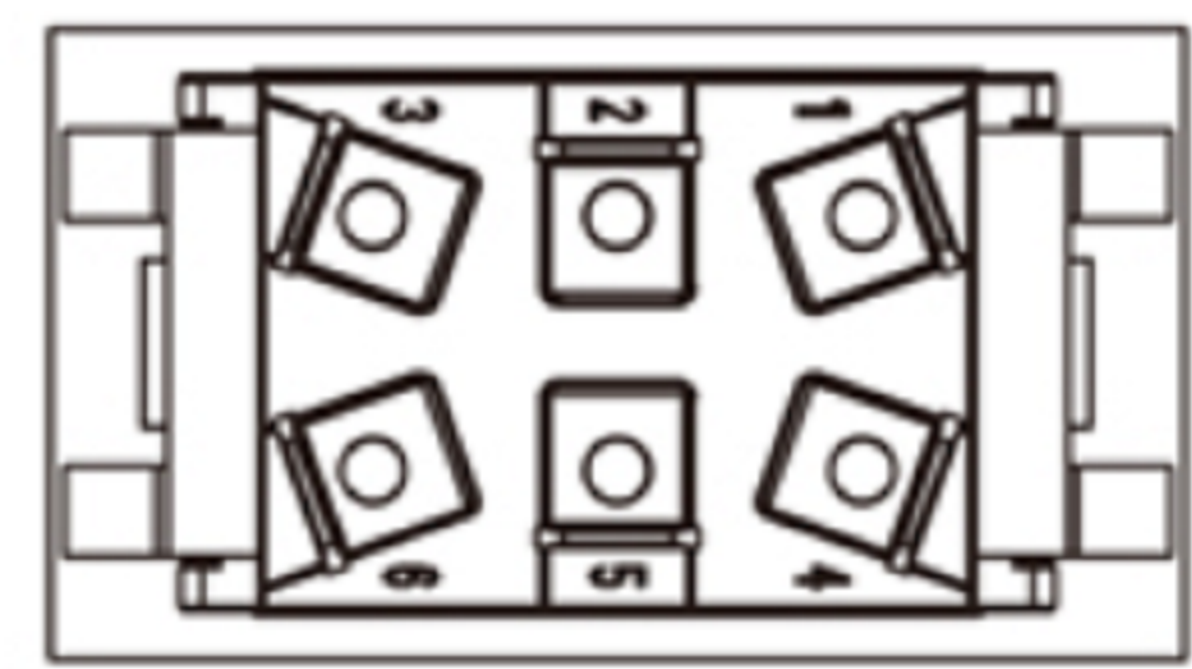
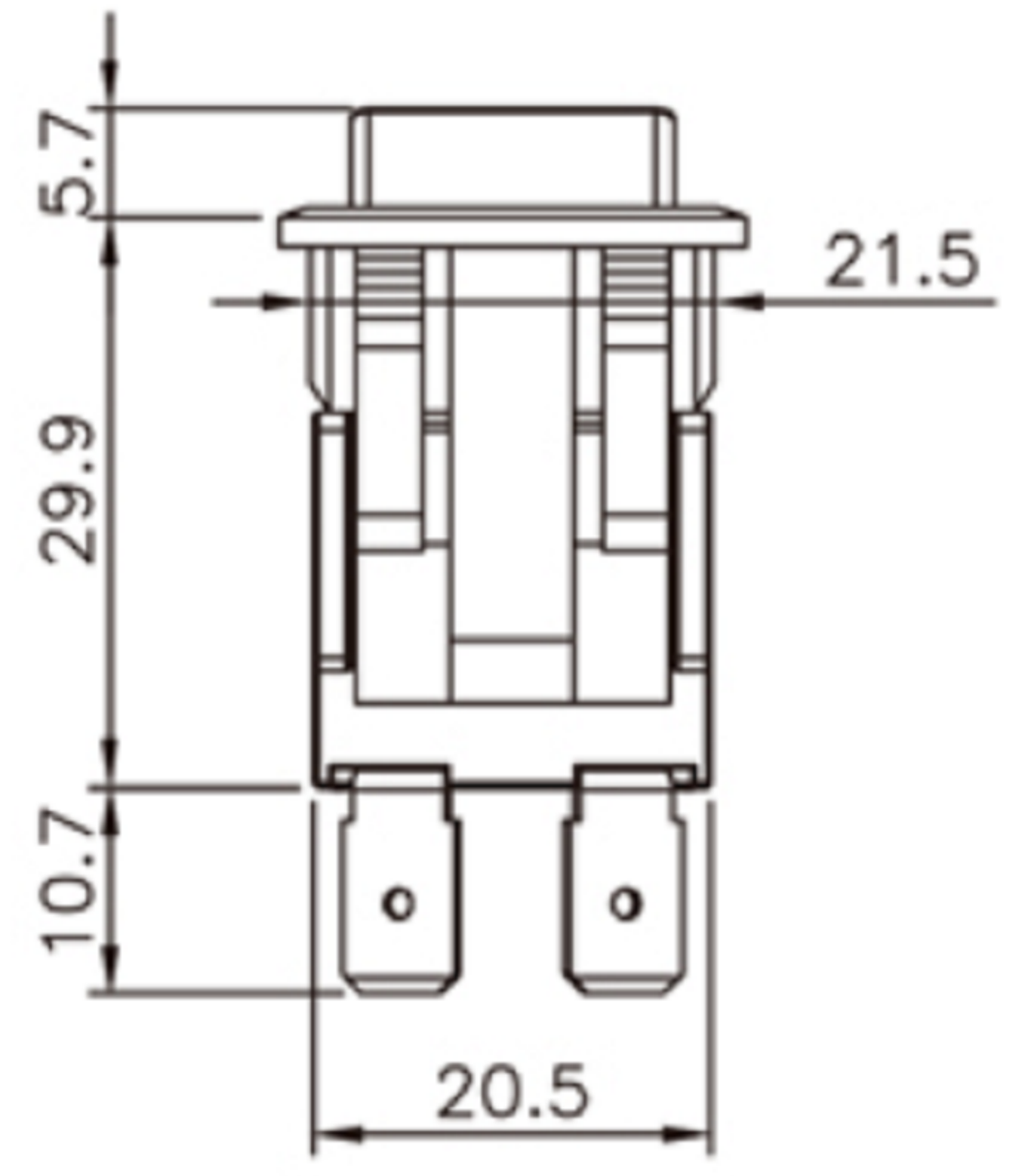
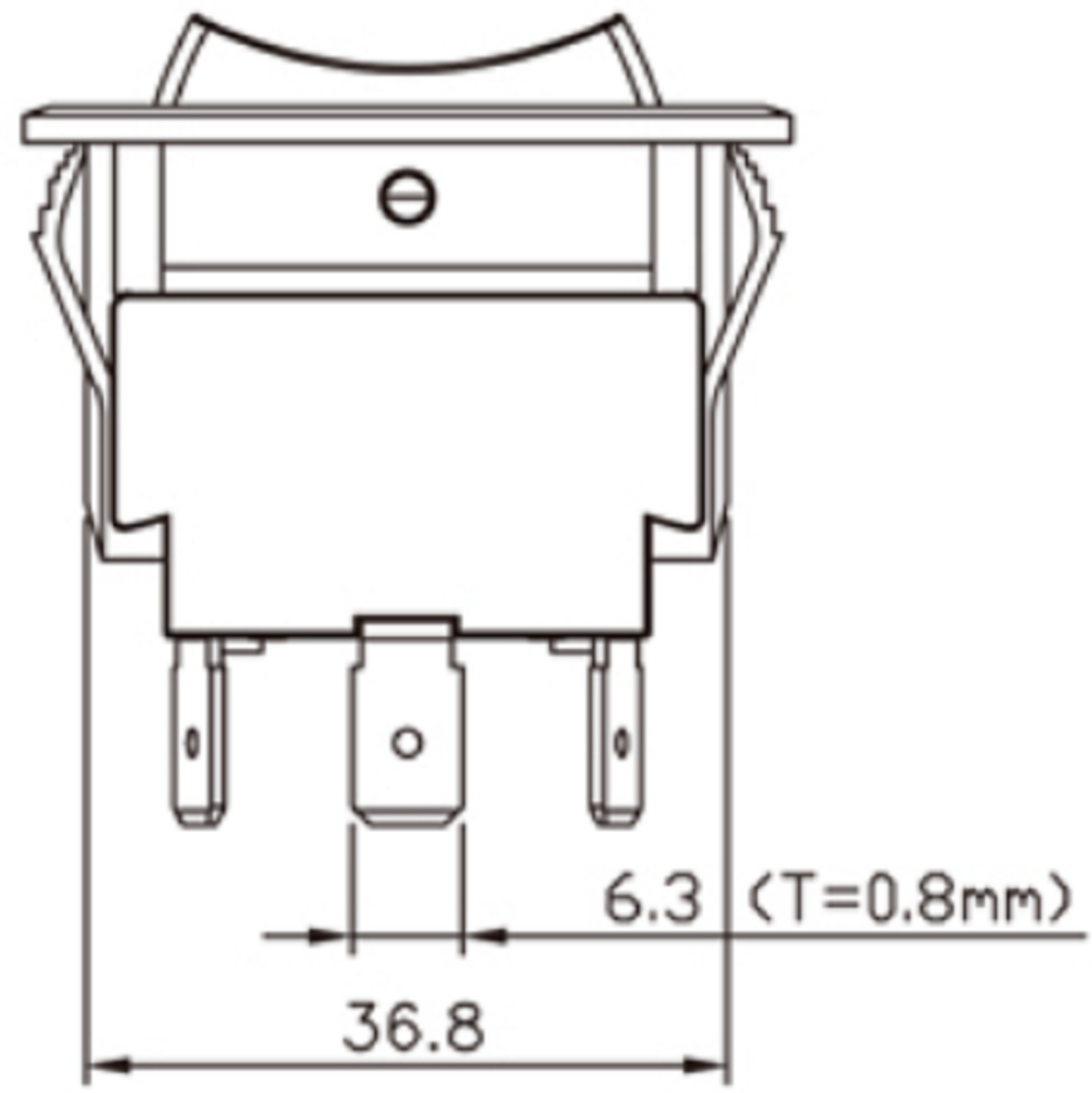
Specification :

Contact resistance: 20mΩ max. (initial)
 Insulation resistance: 100MΩ min. (at 500V DC)
 Dielectric strength: 1,500V AC 50/60 Hz for 1 minute
 Service life: Mechanically: 100,000 operations min.
 Electrically: 30,000 operations min.

Rating: 15 A 12 Vdc or 125 Vac
 10 A 24 Vdc or 250 Vac

Function: (ON) - OFF - (ON) DPDT
 POS 1 - POS 2 - POS 3

POS 1 POS 2 POS 3



Δ: momentary

NOTE: TOLERANCES UNLESS OTHERWISE SPECIFIED : ± .012 (mm).
 0.3

广东科斯达电子科技有限公司
GUANG DONG KE SI DA ELECTRONIC TECHNOLOGY CO., LTD.

| | | | | |
|-------------------------------------|--------------------|--------------|-------|----|
| TOLERANCE UNLESS OTHERWISE STATED : | Up to 5 ±0.2 | 3RD. ANGEL'S | UNITS | MM |
| | Above 5 ~ 15 ±0.3 | | | |
| | Above 15 ~ 30 ±0.4 | | | |
| | Above 30 ~ 50 ±0.5 | | | |
| | Angle ±0.3 | | | |

| | | | | |
|--------------|----------|-----------|----------|----------------------|
| DRAWN BY: | DATE | MAT'L | TITLE | SWITCH |
| Jack Lu | 12/27/22 | | | |
| CHECKED BY: | DATE | FINISH | MODLE | TACT SWITCH WITH LED |
| Jacky Chen | 12/27/22 | | | |
| APPROVED BY: | DATE | SCALE | DWG NO. | |
| Tony Kao | 12/27/22 | 1 : 1 | | |
| | | SHEET NO. | PART NO. | |
| | | 1 of 1 | | |

| | | | |
|----------|-------------|-------|------|
| ITEM NO. | DESCRIPTION | DRAWN | DATE |
| | | | |