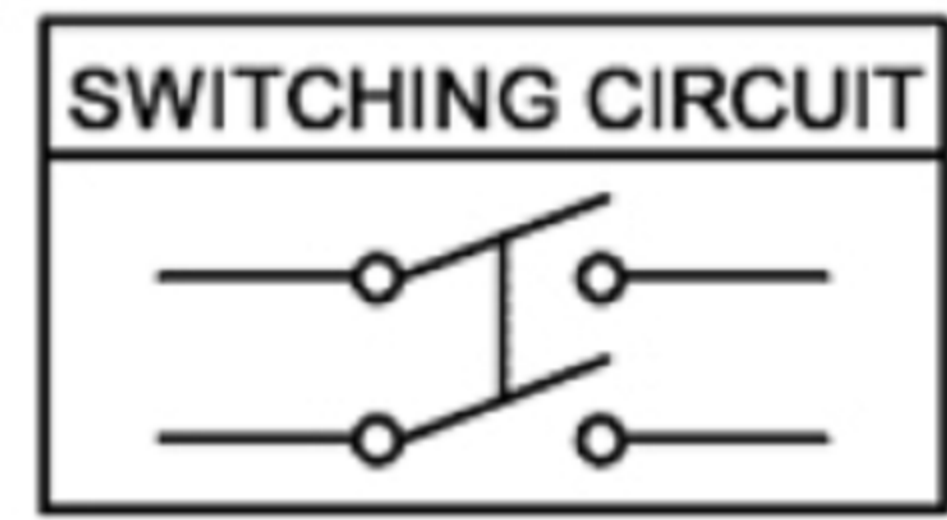
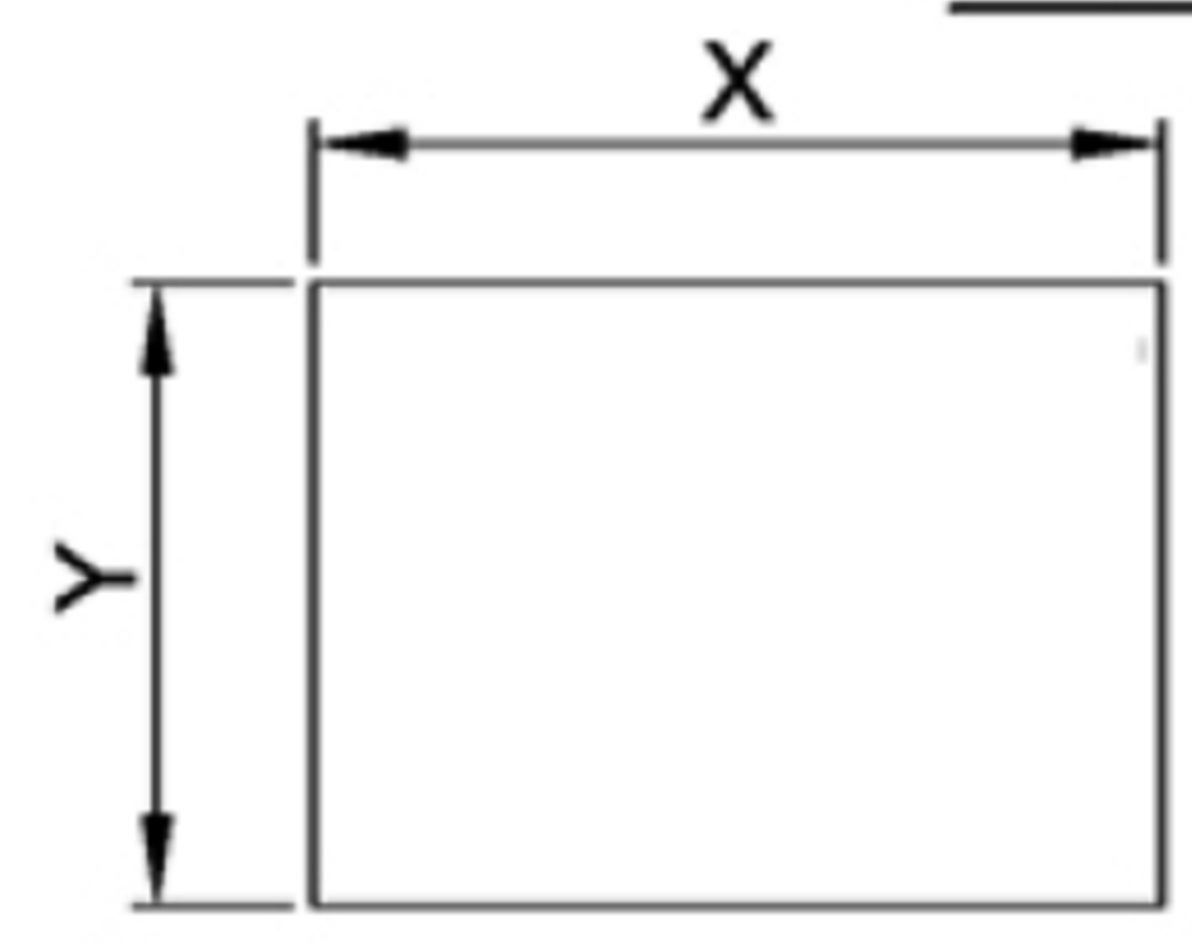
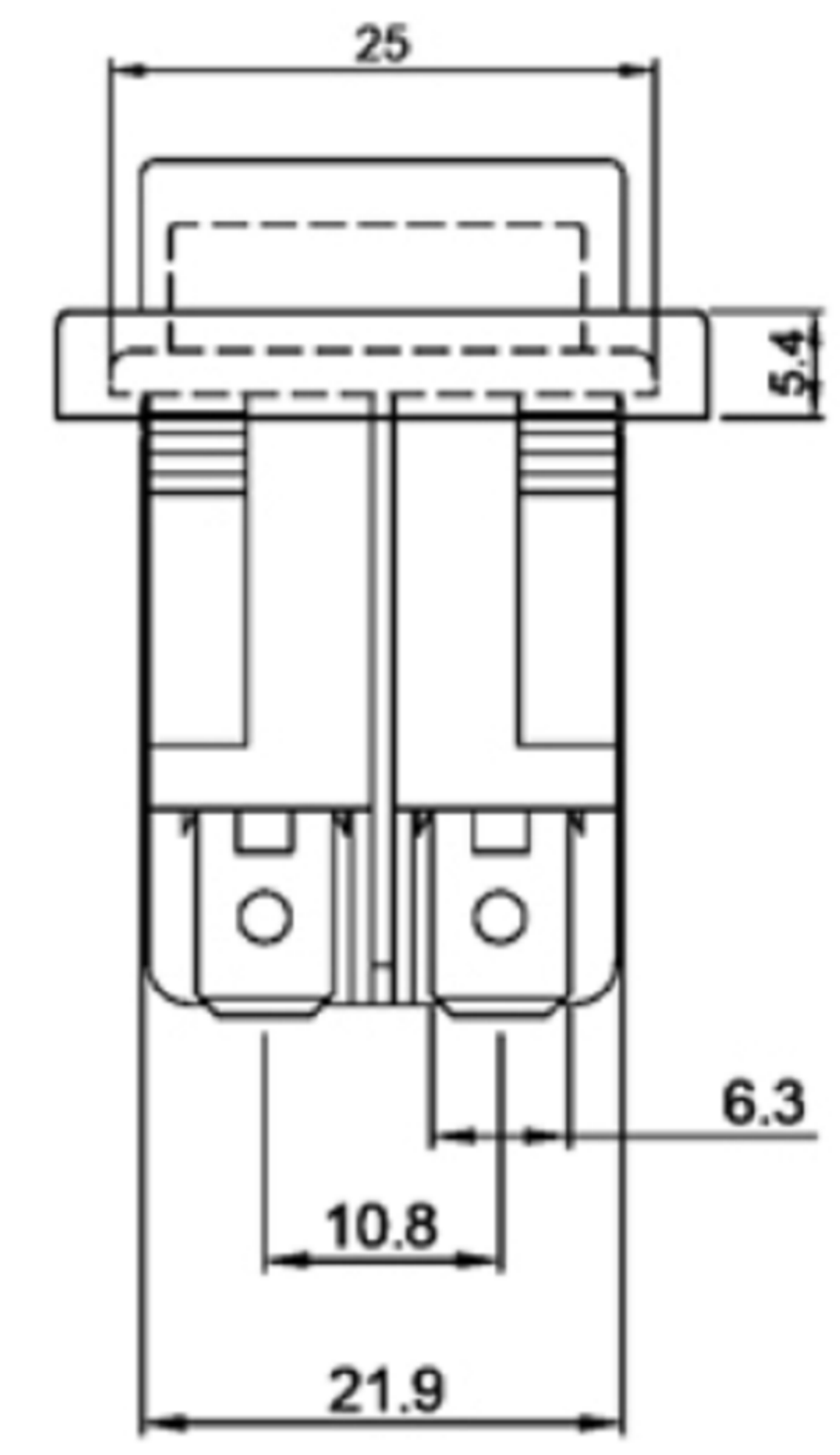
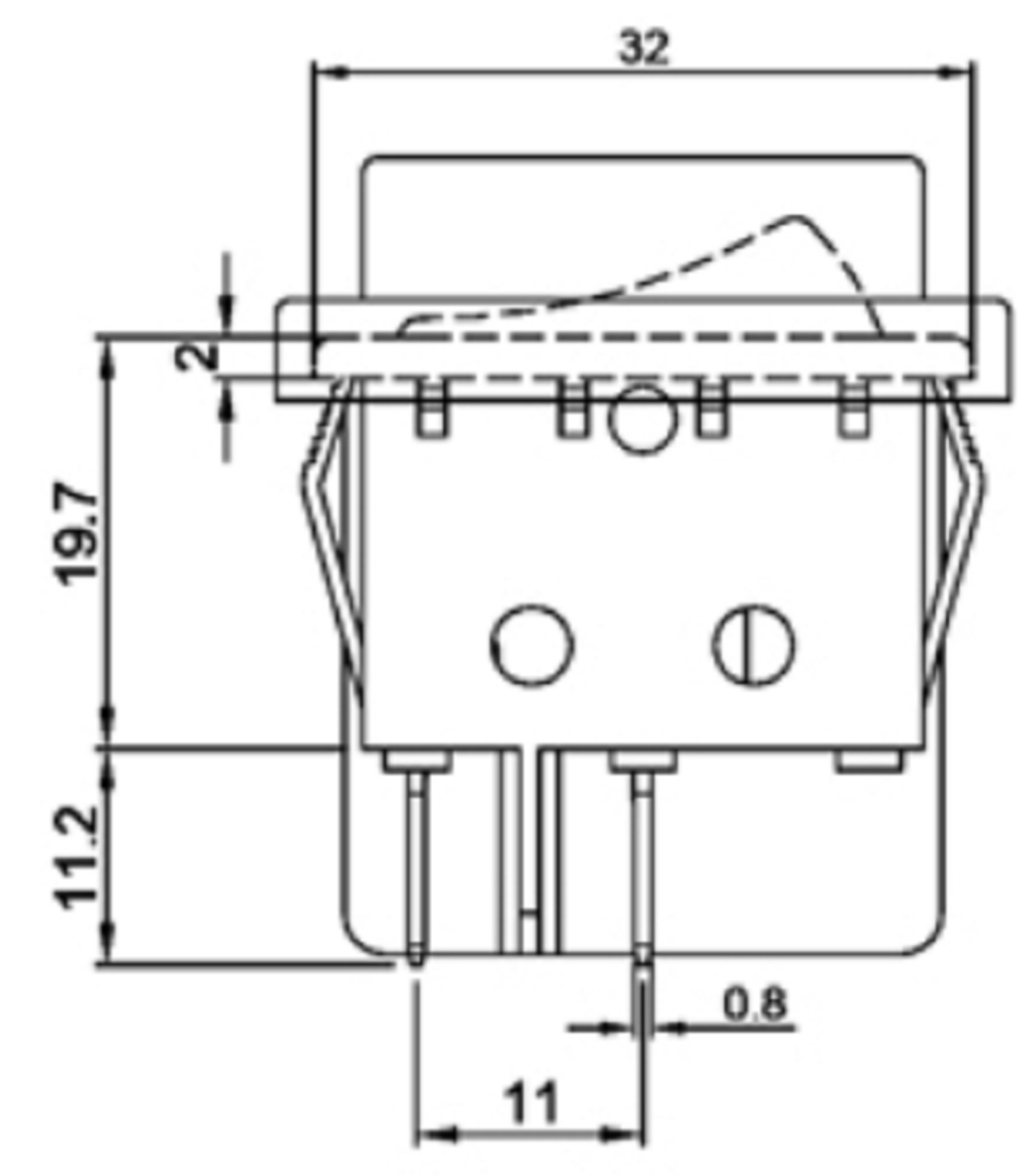


**CUT-OUT**



|           | X        | Y        |
|-----------|----------|----------|
| 0.75~1.25 | 30.0+0.1 | 22.0+0.1 |
| 1.25~2.00 | 30.2+0.1 | 22.0+0.1 |
| 2.00~3.00 | 30.4+0.1 | 22.0+0.1 |

 **广东科斯达电子科技有限公司**  
**GUANG DONG KE SI DA ELECTRONIC TECHNOLOGY CO., LTD.**

TOLERANCE UNLESS OTHERWISE STATED:  
 Up to 5 ±0.2  
 Above 5 ~ 15 ±0.3  
 Above 15 ~ 30 ±0.4  
 Above 30 ~ 50 ±0.5  
 Angle ±0.3

3RD. ANGEL'S

UNITS MM

|              |          |           |          |                      |
|--------------|----------|-----------|----------|----------------------|
| DRAWN BY:    | DATE     | MAT'L     | TITLE    | SWITCH               |
| Jack Lu      | 12/27/22 | FINISH    | MODLE    | TACT SWITCH WITH LED |
| CHECKED BY:  | DATE     | SCALE     | DWG NO.  | SIZE                 |
| Jacky Chen   | 12/27/22 | 1 : 1     | PART NO. | A4                   |
| APPROVED BY: | DATE     | SHEET NO. |          | VER                  |
| Tony Kao     | 12/27/22 | 1 of 1    |          | R                    |

| ITEM NO. | DESCRIPTION | DRAWN | DATE |
|----------|-------------|-------|------|
|          |             |       |      |
|          |             |       |      |
|          |             |       |      |