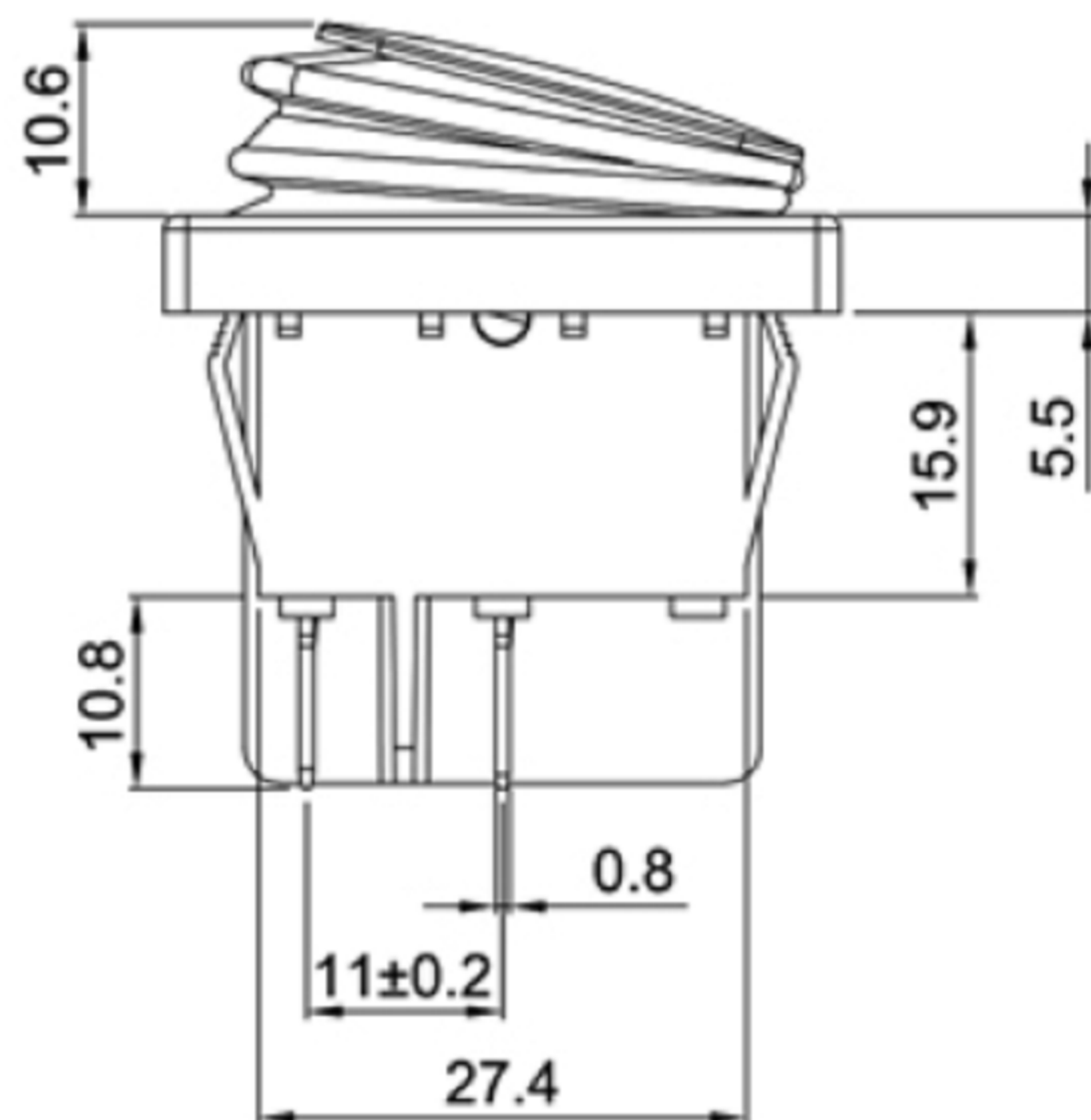
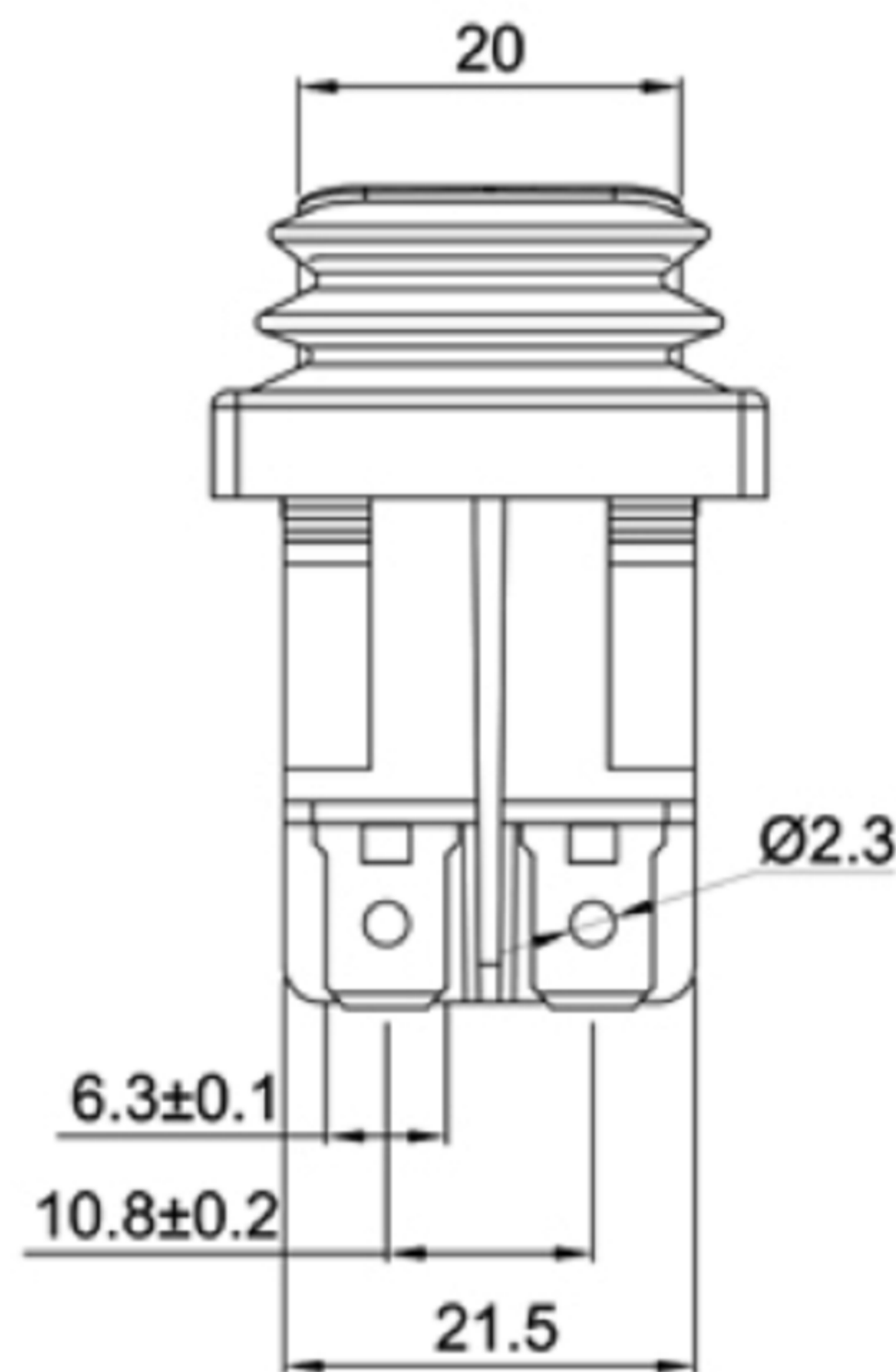
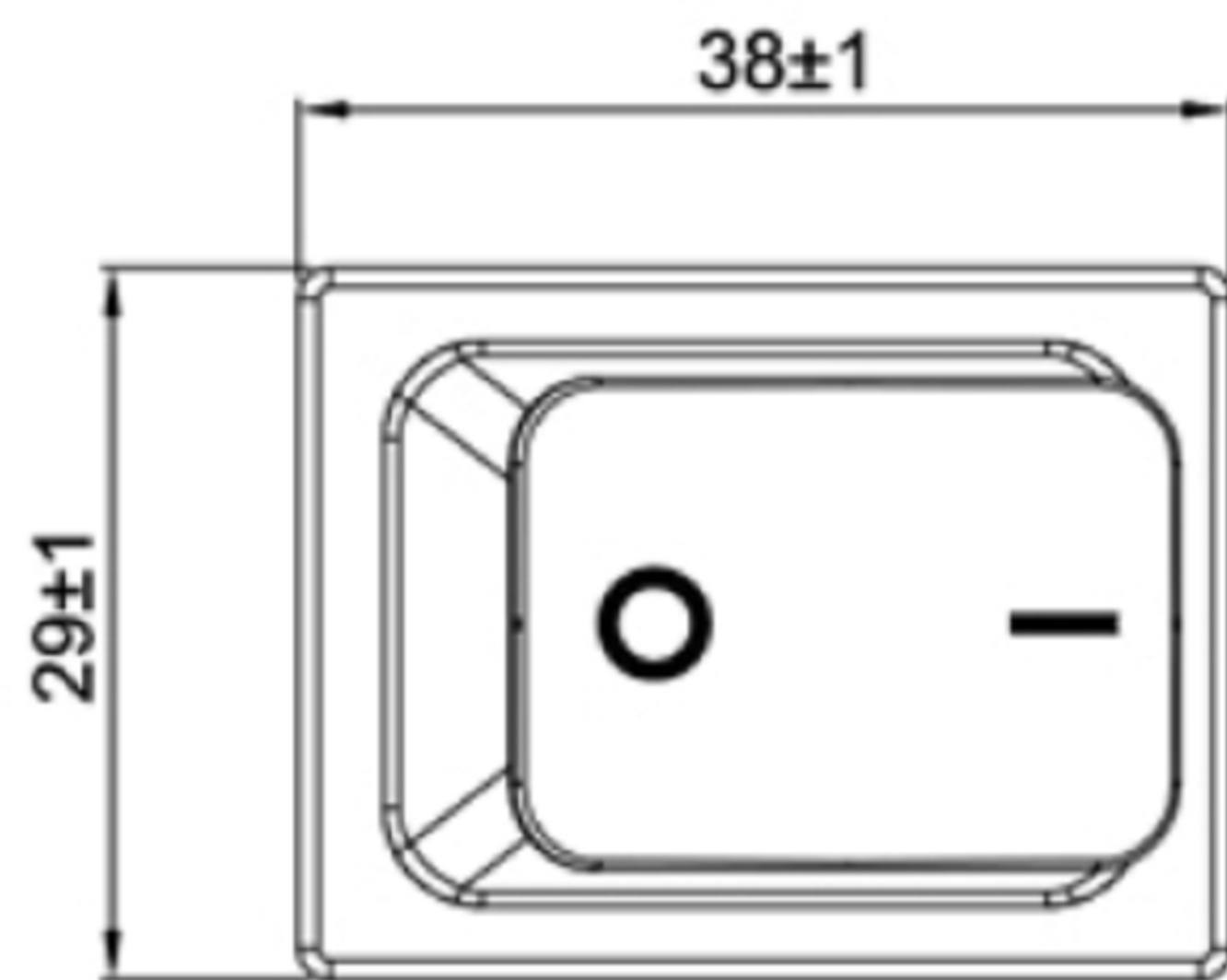
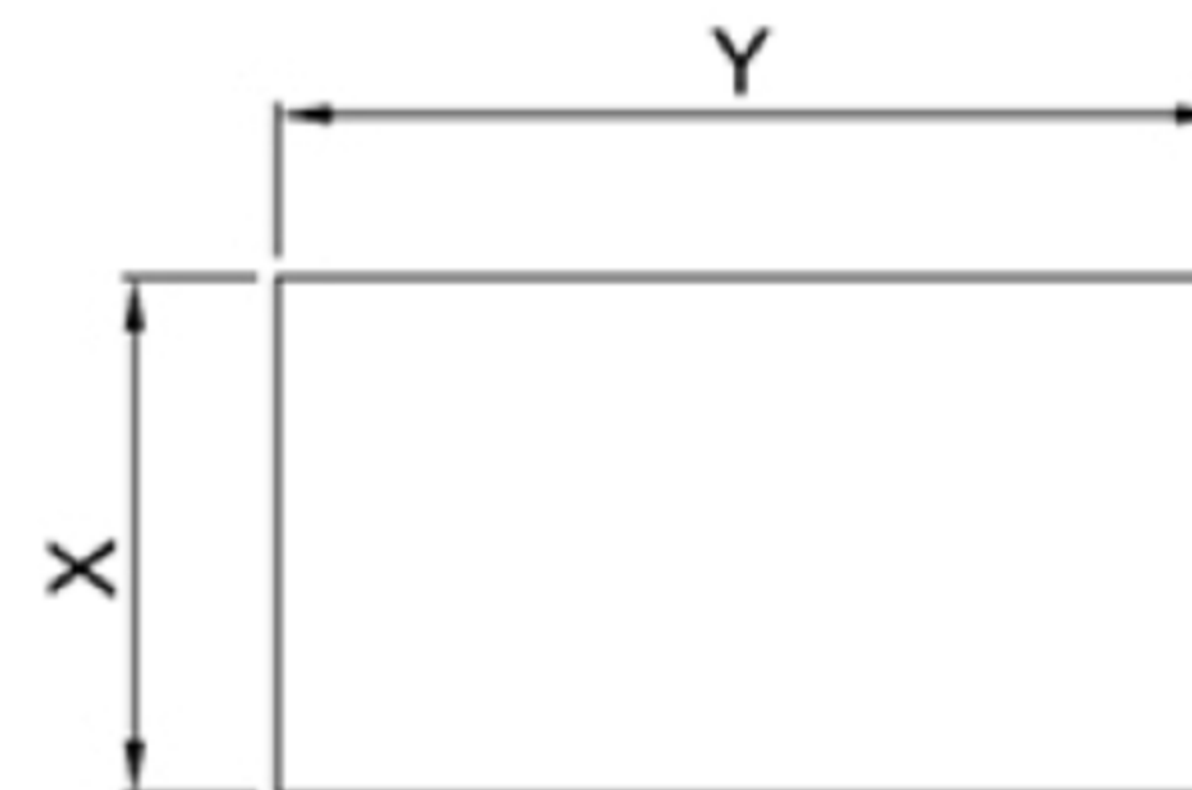




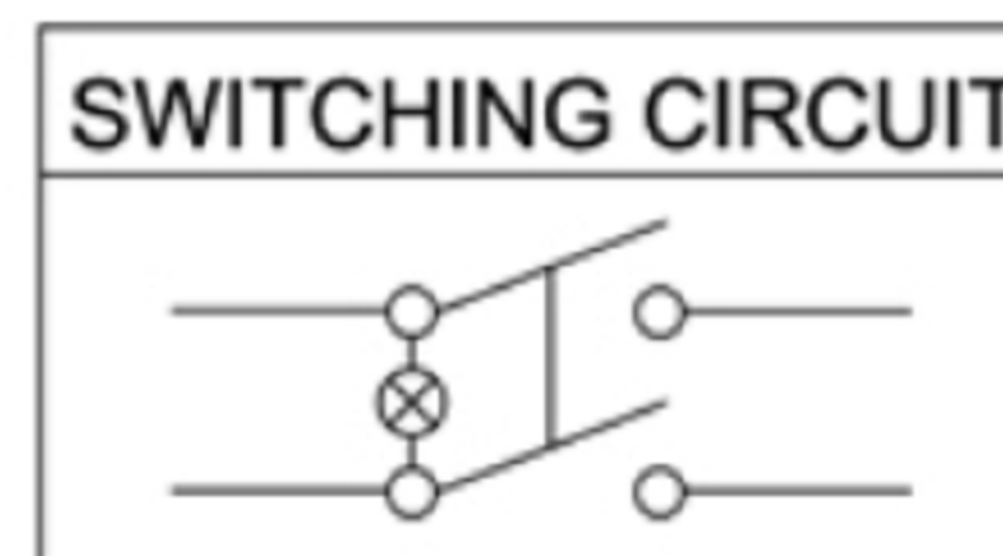
Rating: 20A 125V AC  
 22A 250V AC  
 Contact Resistance: 50m Ω Max  
 Insulation Resistance: DC 500V 100M Ω Min.  
 Dielectric Strength: AC1500V 1 minute  
 Operating Force: 600±150gf  
 Mechanical Life: Over 30,000 cycles  
 Electrical Life: Over 10,000 cycles  
 Operating Temperature: -20 °C ~ +85 °C  
 Protection type depending on mounting: IP65



### CUT-OUT

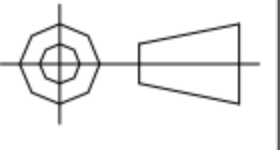


|           | X        | Y        |
|-----------|----------|----------|
| 0.75~1.25 | 22.0+0.1 | 30.0+0.1 |
| 1.25~2.00 | 22.0+0.1 | 30.2+0.1 |
| 2.00~3.00 | 22.0+0.1 | 30.4+0.1 |




**广东科斯达电子科技有限公司**  
 GUANG DONG KE SI DA ELECTRONIC TECHNOLOGY CO., LTD.

TOLERANCE UNLESS OTHERWISE STATED:  
 Up to 5 ±0.2  
 Above 5 ~ 15 ±0.3  
 Above 15 ~ 30 ±0.4  
 Above 30 ~ 50 ±0.5  
 Angle ±0.3

3RD. ANGEL'S  

 UNITS MM

|              |          |           |          |                      |
|--------------|----------|-----------|----------|----------------------|
| DRAWN BY:    | DATE     | MAT'L     | TITLE    | SWITCH               |
| Jack Lu      | 12/27/22 |           | MODLE    | TACT SWITCH WITH LED |
| CHECKED BY:  | DATE     | FINISH    | DWG NO.  | SIZE                 |
| Jacky Chen   | 12/27/22 |           |          | A4                   |
| APPROVED BY: | DATE     | SCALE     | PART NO. | VER                  |
| Tony Kao     | 12/27/22 | 1 : 1     |          | R                    |
|              |          | SHEET NO. |          |                      |
|              |          | 1 of 1    |          |                      |