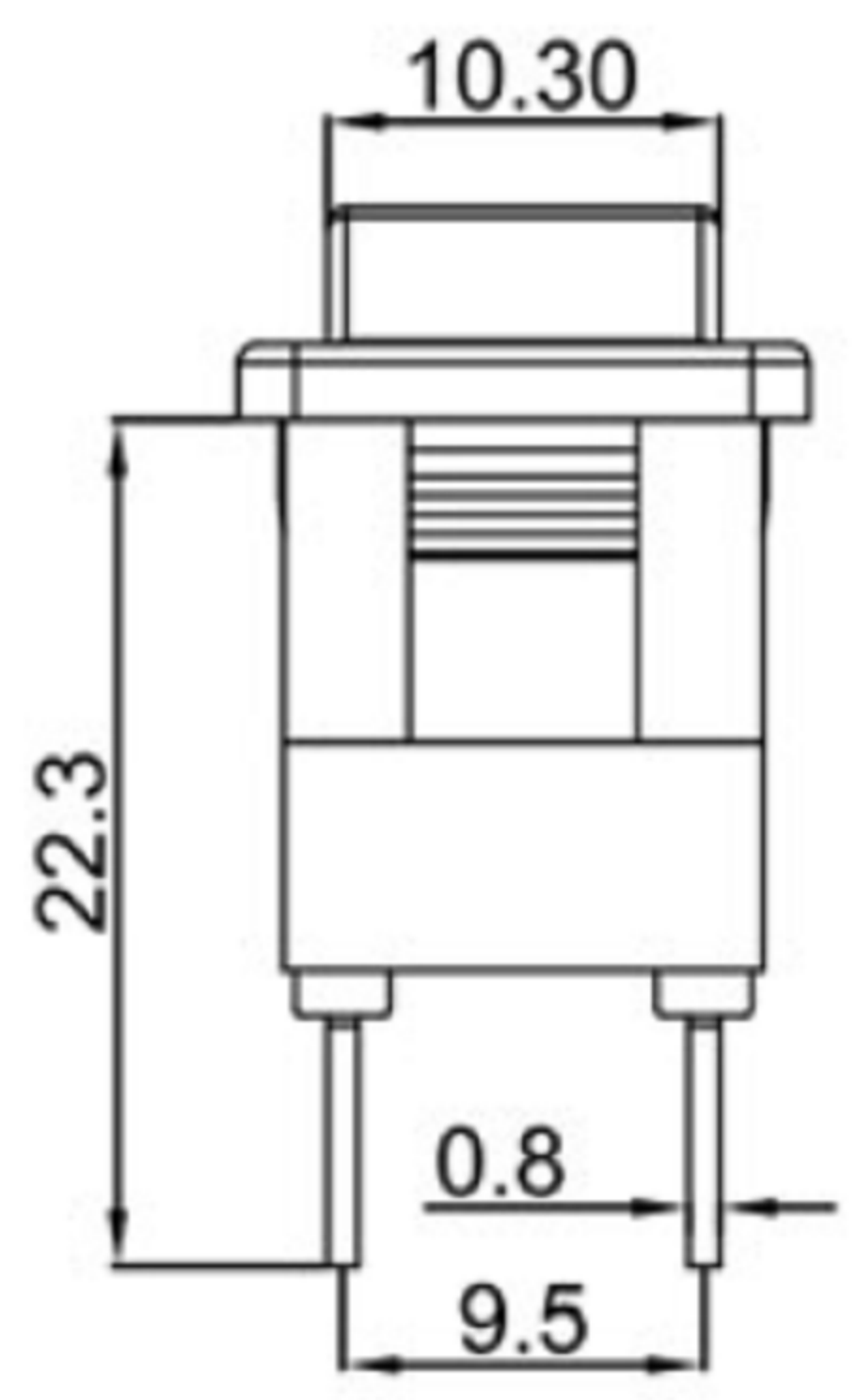
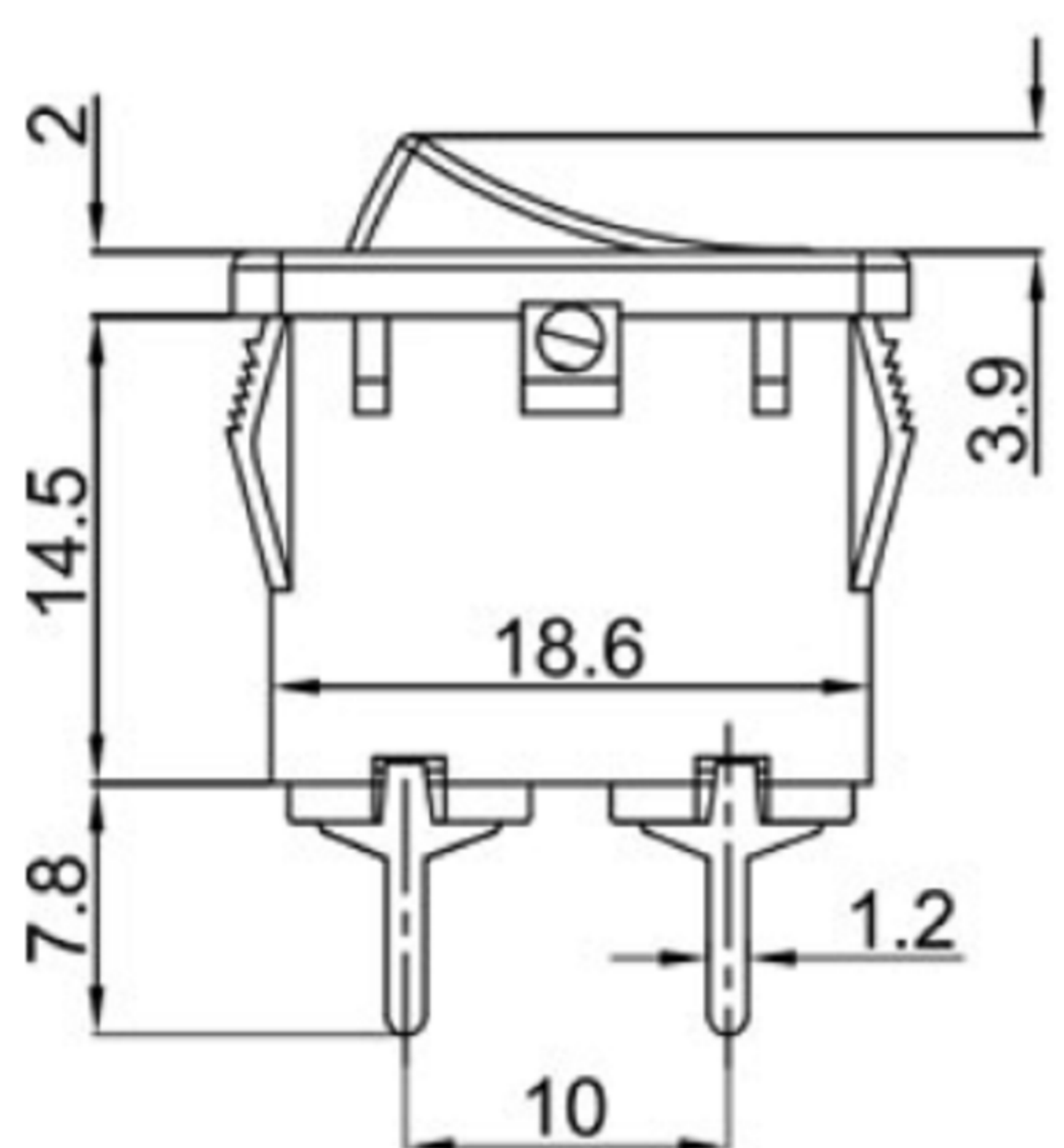
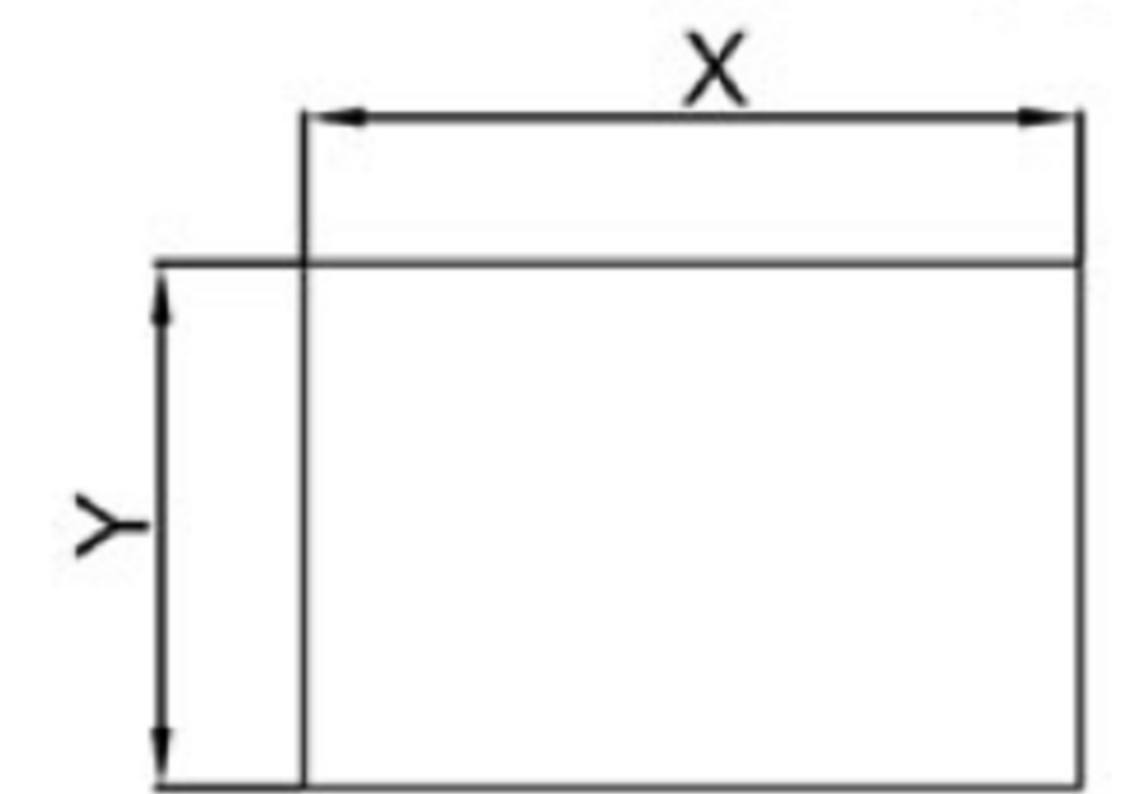


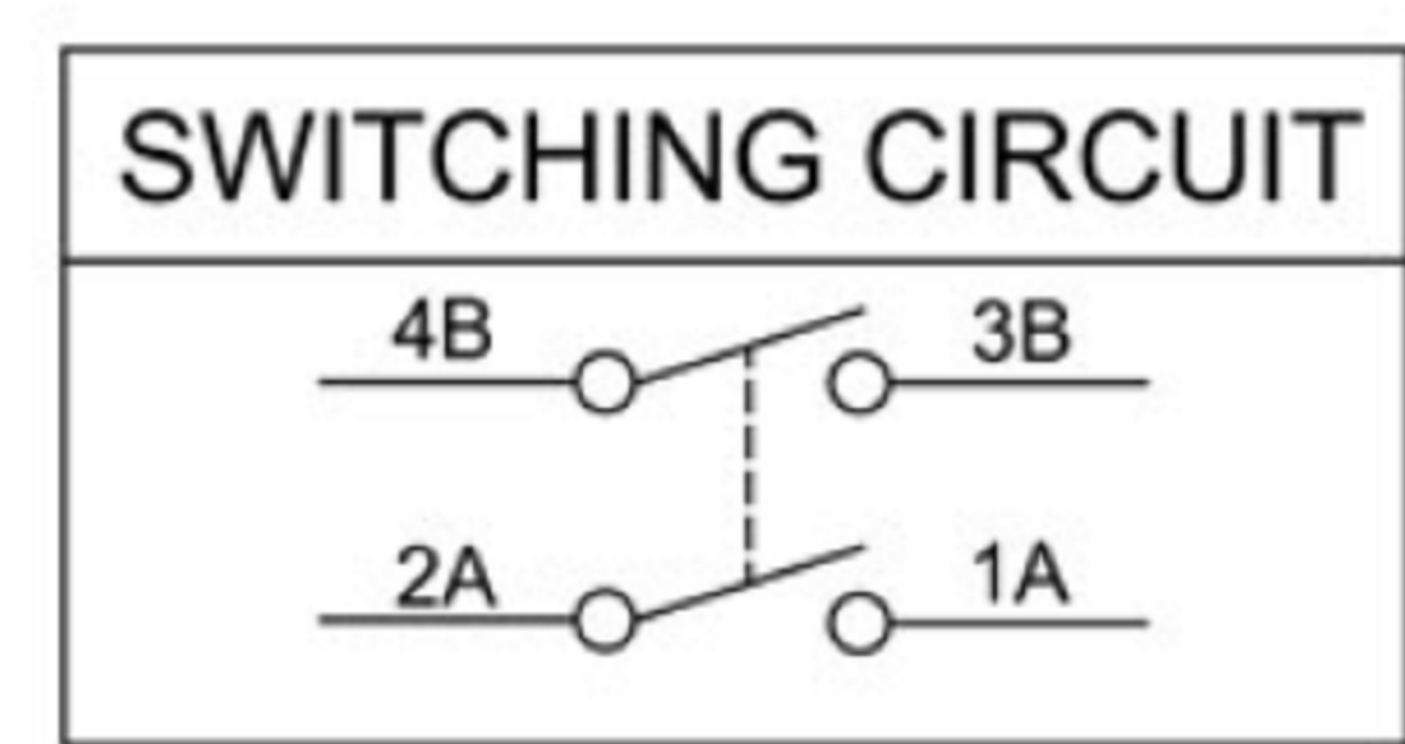
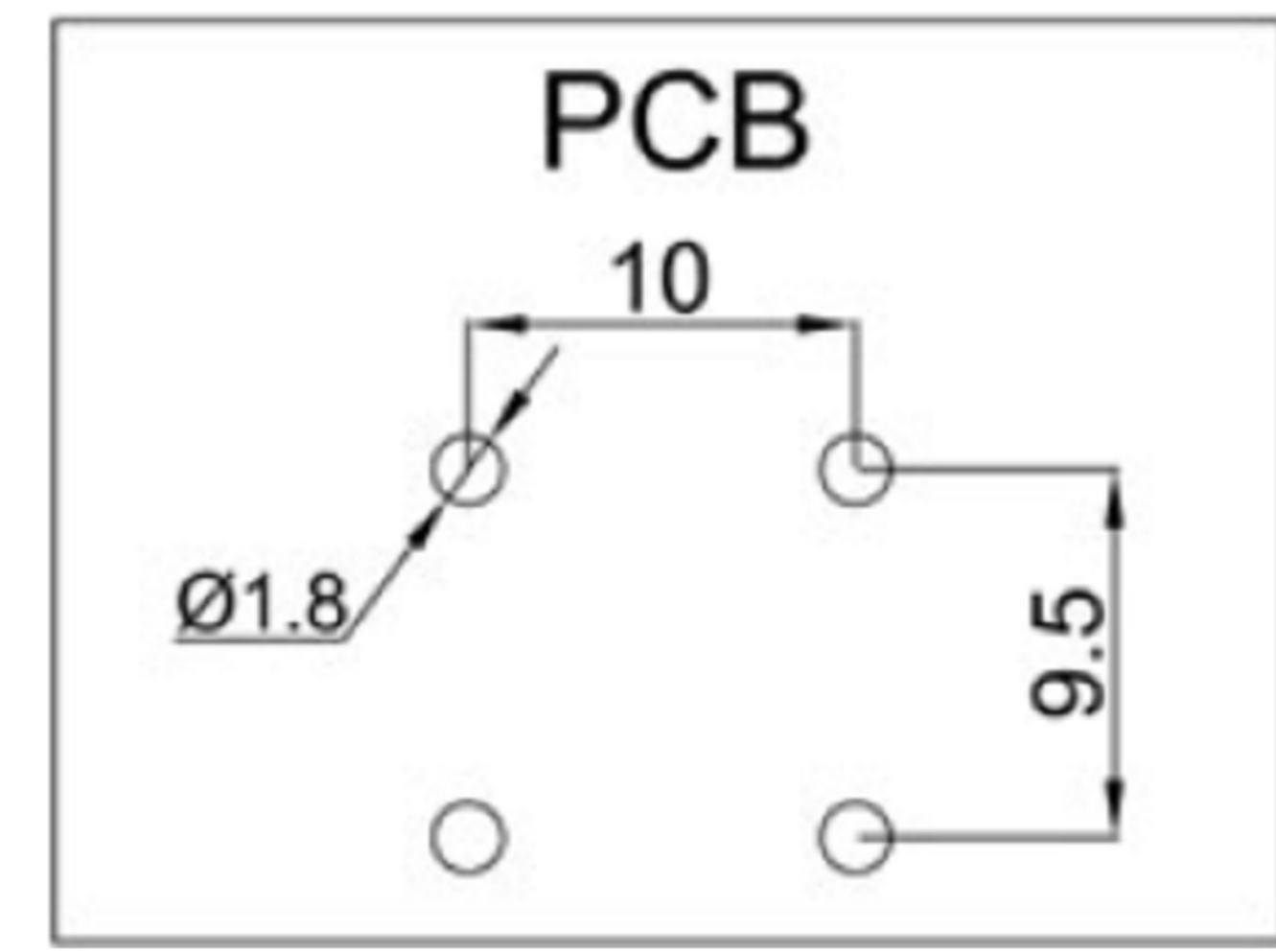
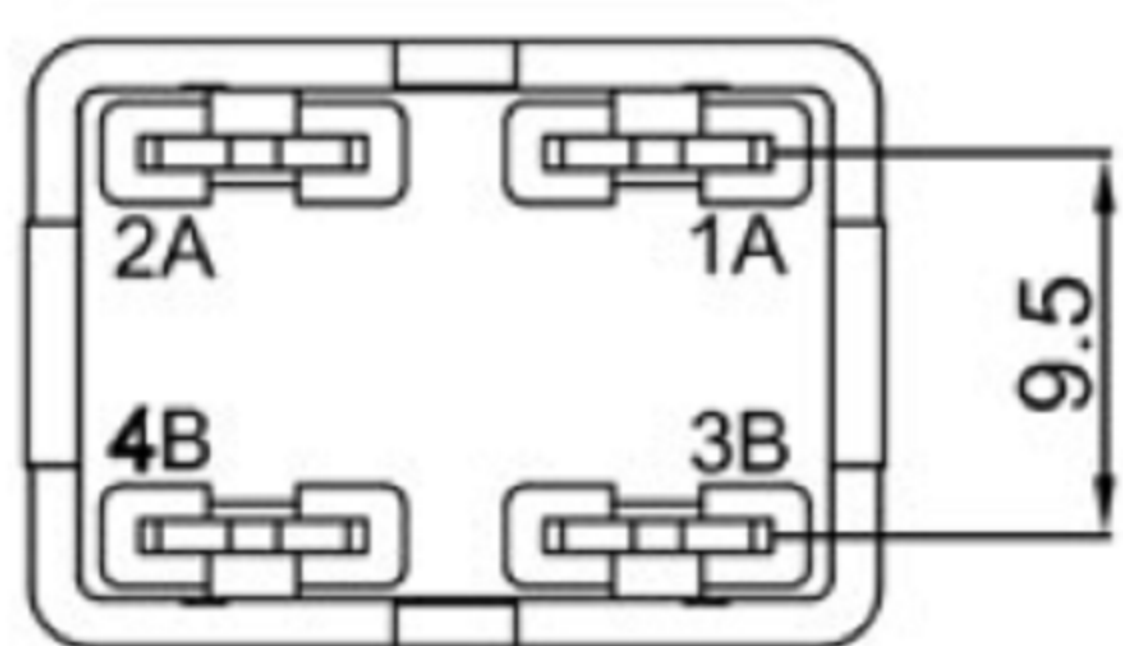
Rating: 12A 125V AC
 10A 250V AC(ENEC CQC) ;
 Contact Resistance: 20mΩ Max. ;
 Insulation Resistance:DC 500V 100MΩ Min. ;
 Dielectric Strength:AC 1500V 1 minute
 Operating Force:450±200gf
 Mechanical Life:50,000 cycles
 Load Life:10,000 cycles
 Operating Temperature: -20℃~85℃



CUT-OUT



| | X | Y |
|-----------|----------|----------|
| 0.75~1.25 | 19.2+0.1 | 13.0+0.1 |
| 1.25~2.00 | 19.4+0.1 | 13.0+0.1 |
| 2.00~3.00 | 19.8+0.1 | 13.0+0.1 |



广东科斯达电子科技有限公司
 GUANG DONG KE SI DA ELECTRONIC TECHNOLOGY CO., LTD.

TOLERANCE UNLESS OTHERWISE STATED:
 Up to 5 ±0.2
 Above 5 ~ 15 ±0.3
 Above 15 ~ 30 ±0.4
 Above 30 ~ 50 ±0.5
 Angle ±0.3

3RD. ANGEL'S

UNITS MM

| | | | | |
|--------------|----------|-----------|----------|----------------------|
| DRAWN BY: | DATE | MAT'L | TITLE | SWITCH |
| Jack Lu | 12/27/22 | | MODLE | TACT SWITCH WITH LED |
| CHECKED BY: | DATE | FINISH | DWG NO. | |
| Jacky Chen | 12/27/22 | | PART NO. | |
| APPROVED BY: | DATE | SCALE | 1 : 1 | |
| Tony Kao | 12/27/22 | SHEET NO. | 1 of 1 | |

| | | | |
|----------|-------------|-------|------|
| ITEM NO. | DESCRIPTION | DRAWN | DATE |
| | | | |

SIZE
A4
VER
R