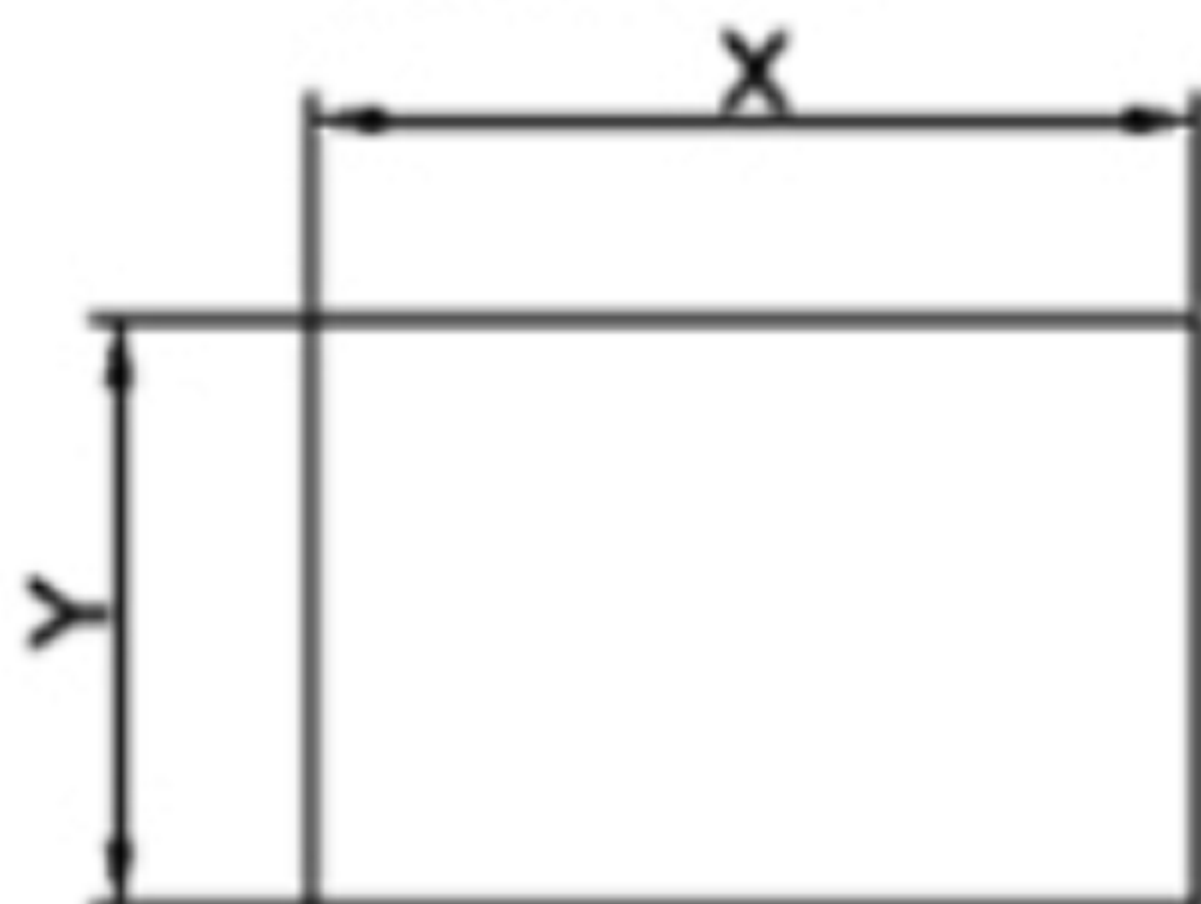
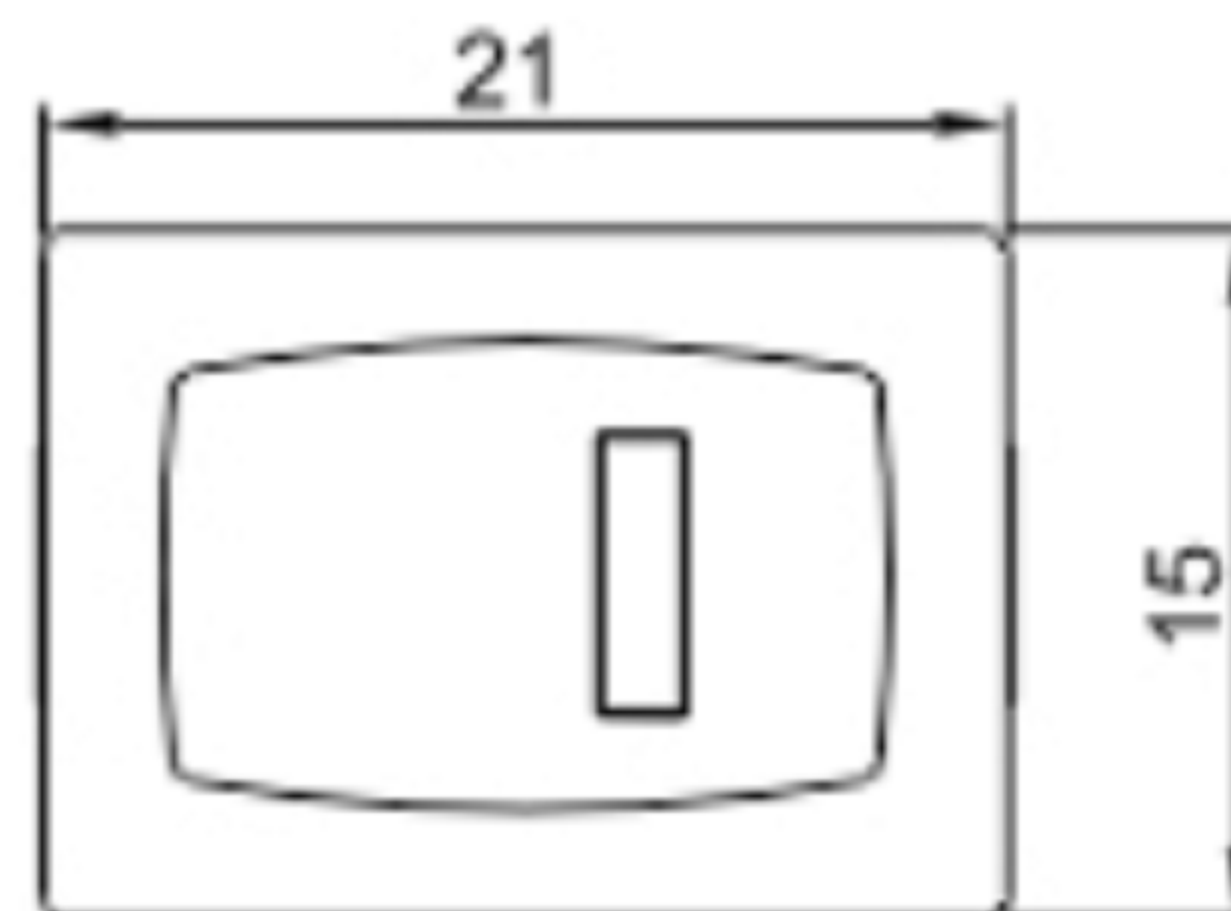
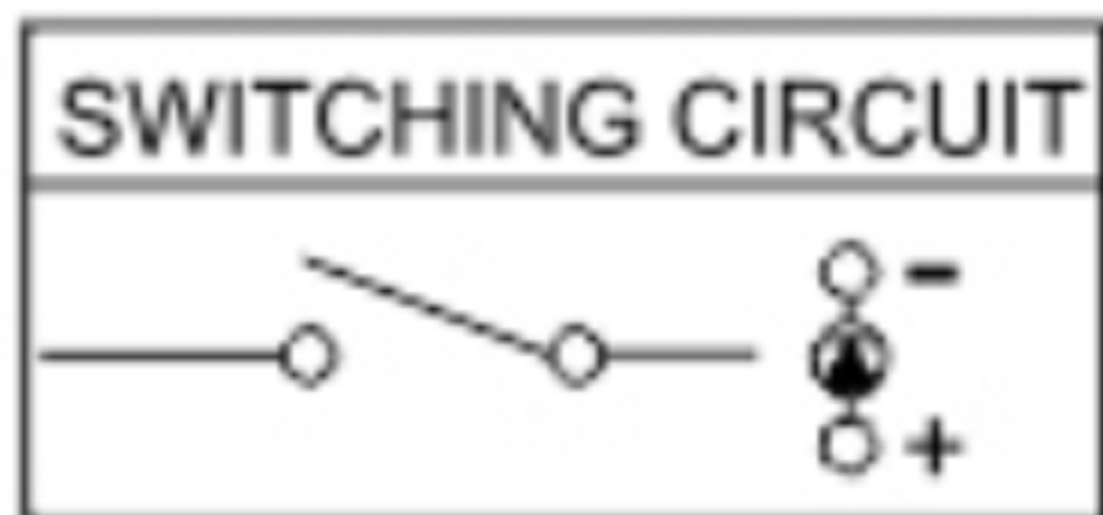
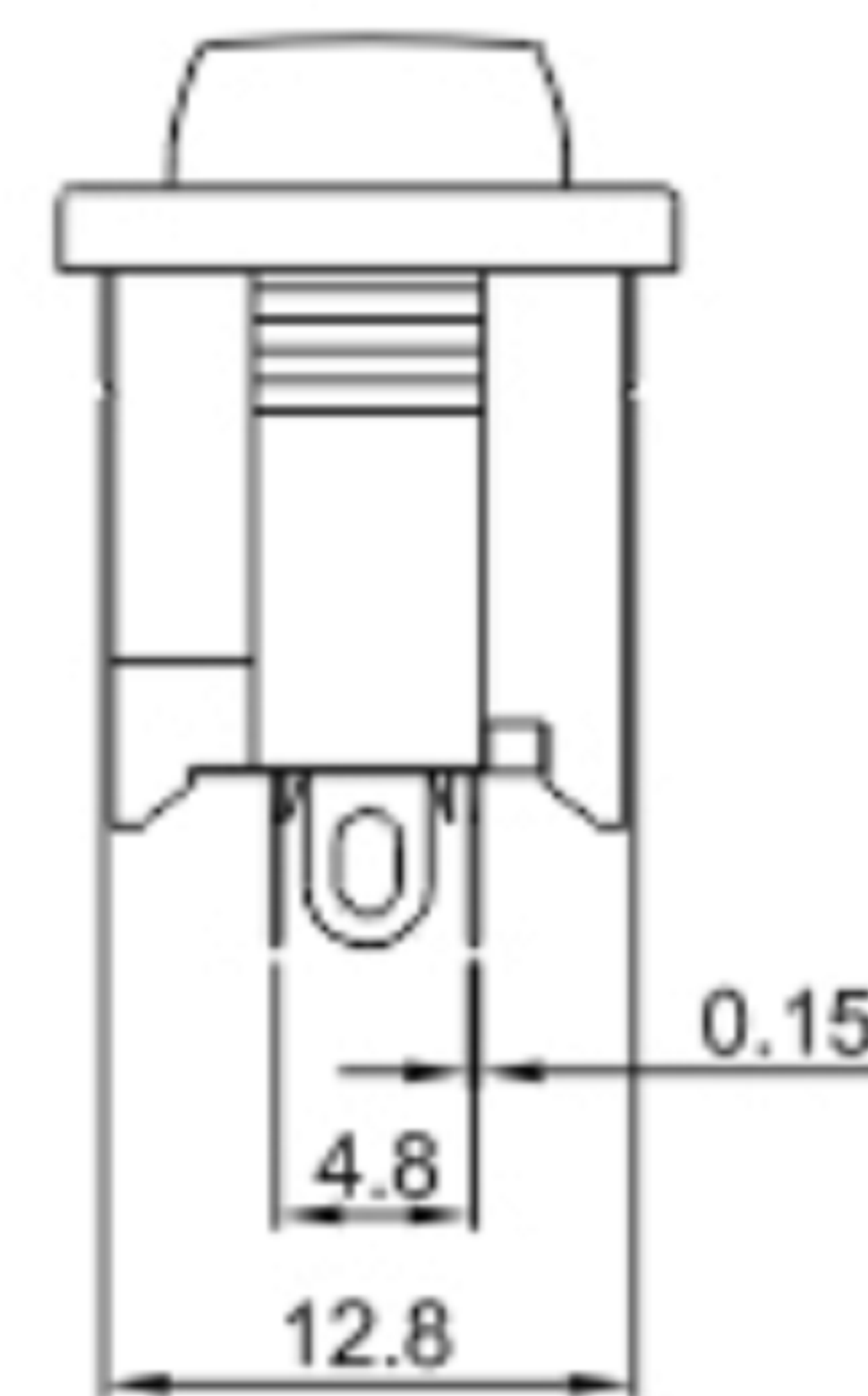
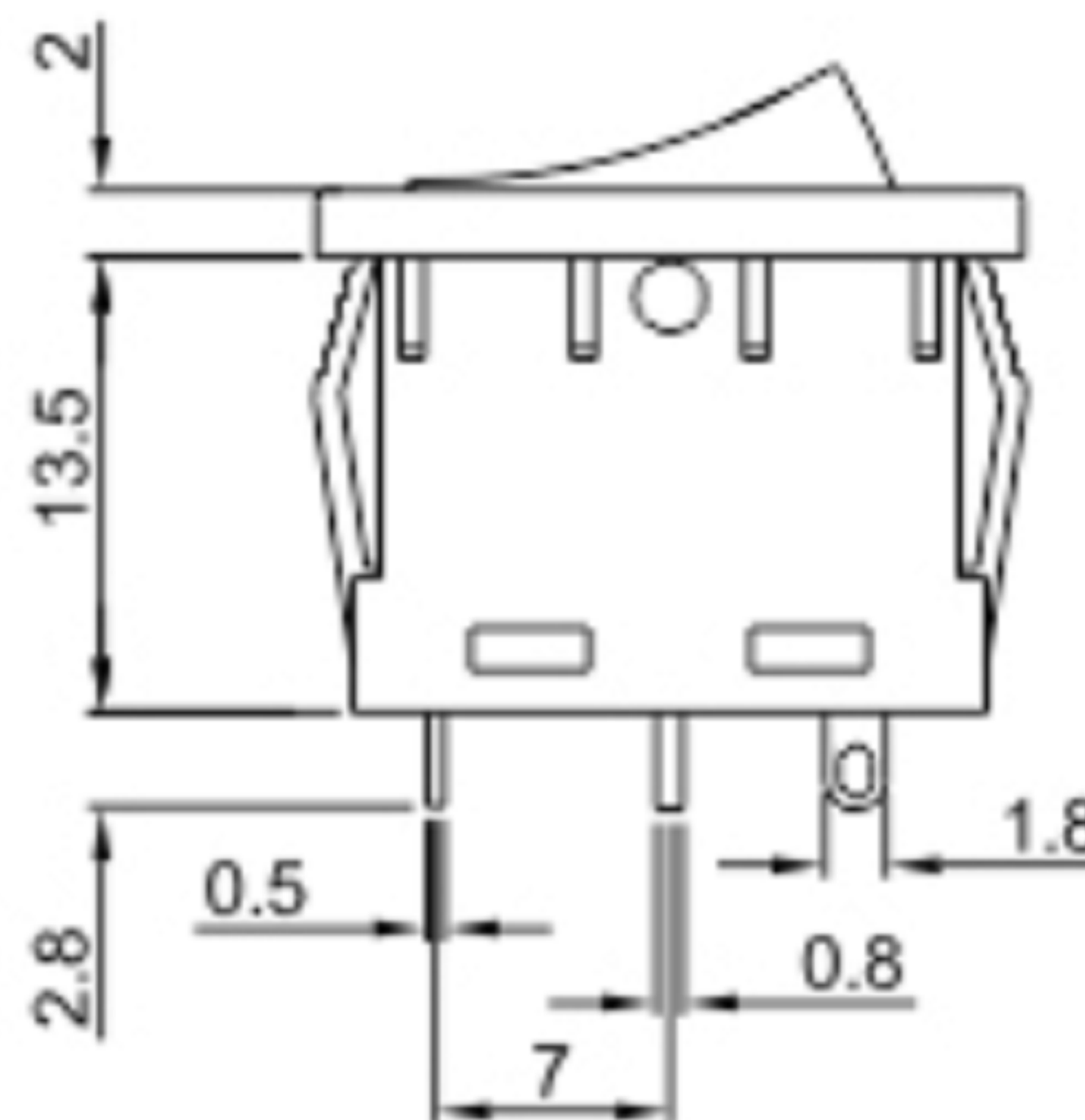


CUT-OUT



	X	Y
0.75~1.25	19.2-0.1	13.0+0.1
1.25~2.00	19.4-0.1	13.0+0.1
2.00~3.00	19.8-0.1	13.0+0.1

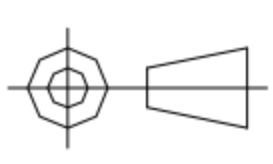


广东科斯达电子科技有限公司  
GUANG DONG KE SI DA ELECTRONIC TECHNOLOGY CO., LTD.

TOLERANCE UNLESS OTHERWISE STATED:

Up to 5 ±0.2  
Above 5 ~ 15 ±0.3  
Above 15 ~ 30 ±0.4  
Above 30 ~ 50 ±0.5  
Angle ±0.3

3RD. ANGEL'S



UNITS

MM

DRAWN BY: Jack Lu  
CHECKED BY: Jacky Chen  
APPROVED BY: Tony Kao

DATE: 12/27/22  
DATE: 12/27/22  
DATE: 12/27/22

MAT'L  
FINISH  
SCALE: 1:1  
SHEET NO. 1 of 1

TITLE: SWITCH  
MODLE: TACT SWITCH WITH LED  
DWG NO.  
PART NO.

SIZE: A4  
VER: R

ITEM NO.	DESCRIPTION	DRAWN	DATE