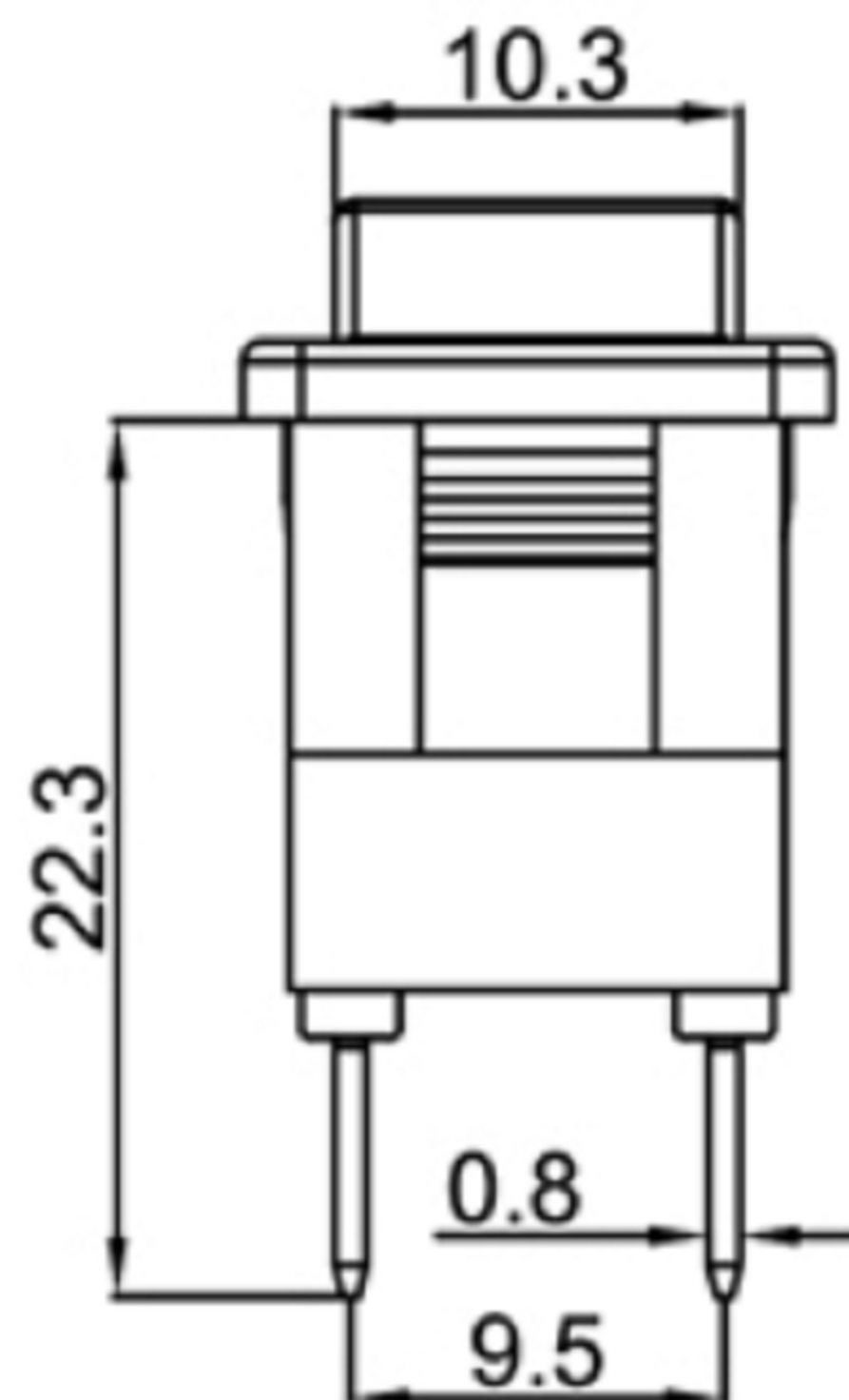
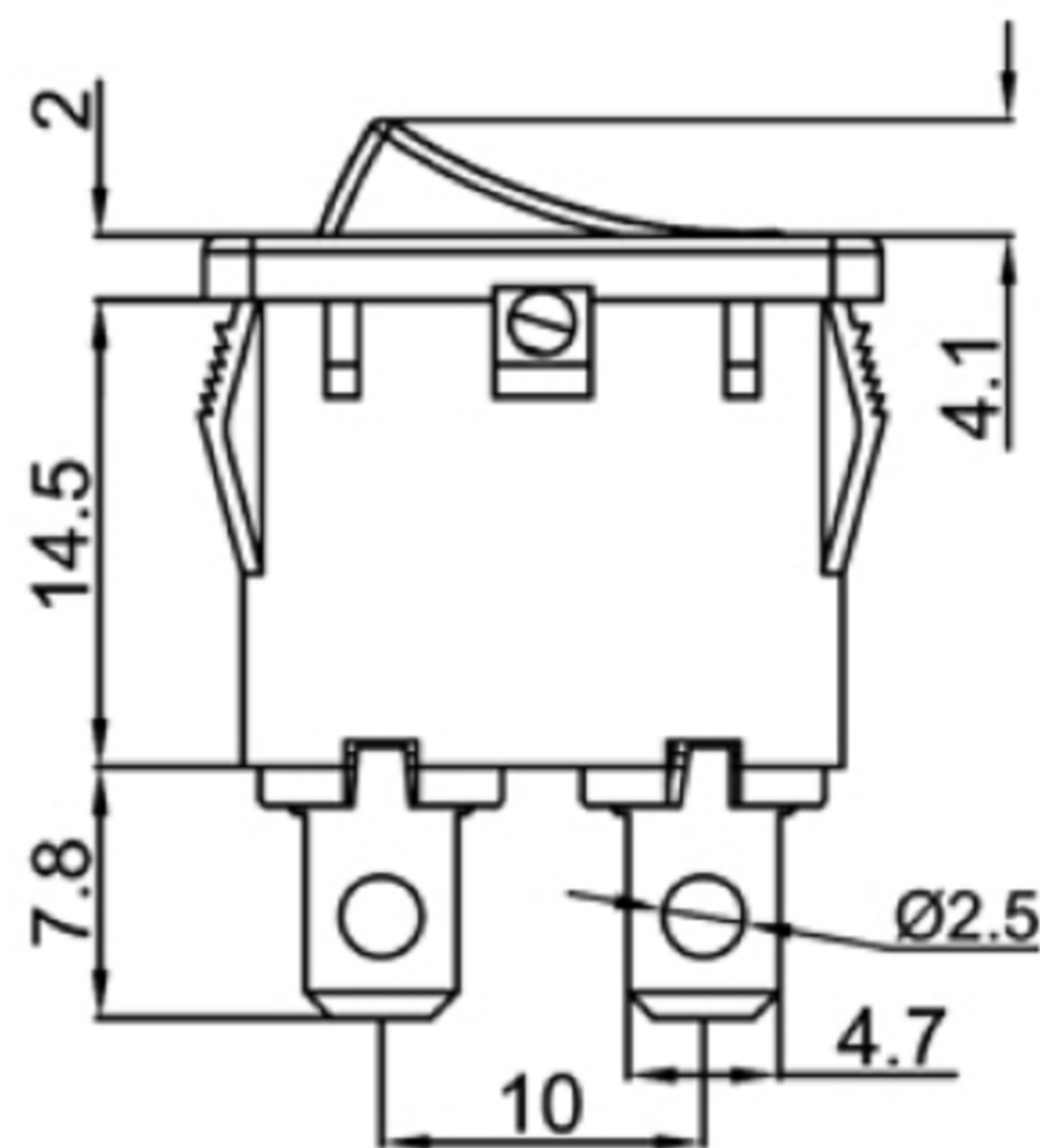
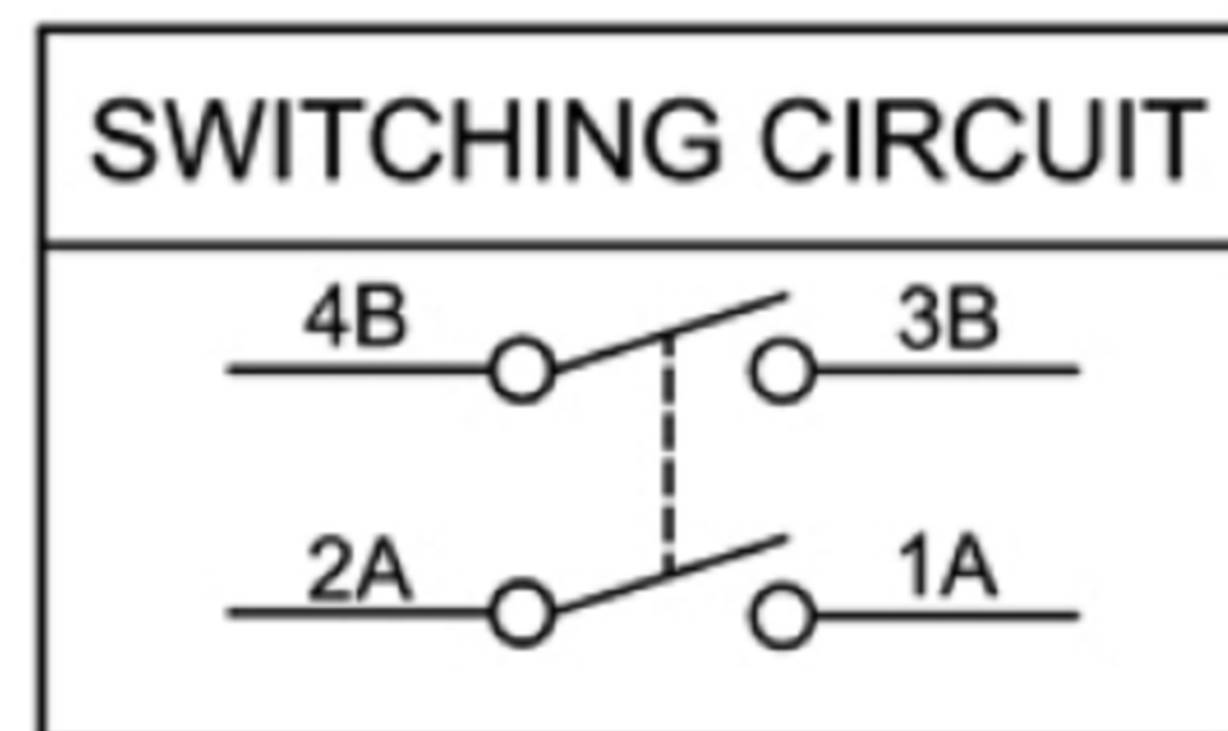
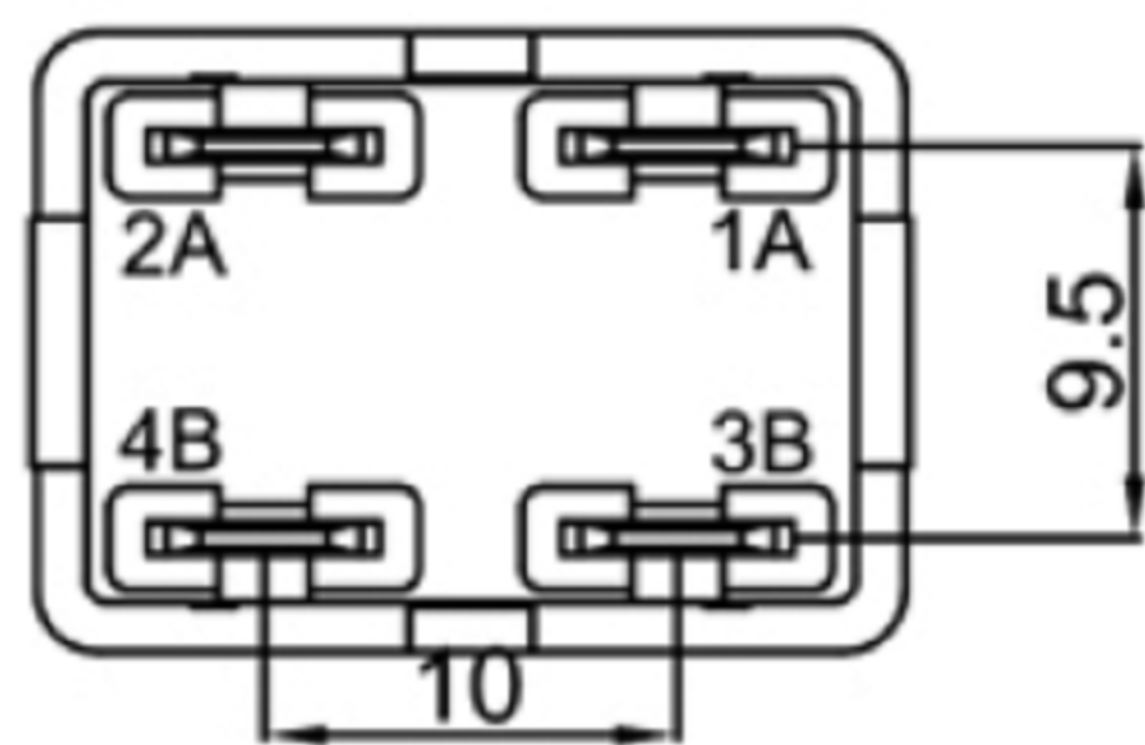


Rating: 12A 125V AC
10A 250V AC(ENEC CQC) ;
Contact Resistance: 20mΩ Max. ;
Insulation Resistance:DC 500V 100MΩ Min. ;
Dielectric Strength:AC 1500V 1 minute
Operating Force:450±200gf
Mechanical Life:50,000 cycles
Load Life:10,000 cycles
Operating Temperature: 0°C~85°C



CUT-OUT

		X	Y
		X	Y
	0.75~1.25	19.2+0.1	13.0+0.1
1.25~2.00	19.4+0.1	13.0+0.1	
2.00~3.00	19.8+0.1	13.0+0.1	



x	0	1	2	4	5	6
Marking	None	•	ON OFF	○ —	○ 	OFF ON

广东科斯达电子科技有限公司
GUANG DONG KE SI DA ELECTRONIC TECHNOLOGY CO., LTD.

TOLERANCE UNLESS OTHERWISE STATED: Up to 5 ±0.2, Above 5 ~ 15 ±0.3, Above 15 ~ 30 ±0.4, Above 30 ~ 50 ±0.5, Angle ±0.3
 3RD. ANGEL'S
 UNITS MM

DRAWN BY:	DATE	MAT'L	TITLE	SWITCH
Jack Lu	12/27/22	FINISH	MODLE	TACT SWITCH WITH LED
CHECKED BY:	DATE	SCALE	DWG NO.	SIZE
Jacky Chen	12/27/22	1 : 1	PART NO.	A4
APPROVED BY:	DATE	SHEET NO.		VER
Tony Kao	12/27/22	1 of 1		R

ITEM NO.	DESCRIPTION	DRAWN	DATE