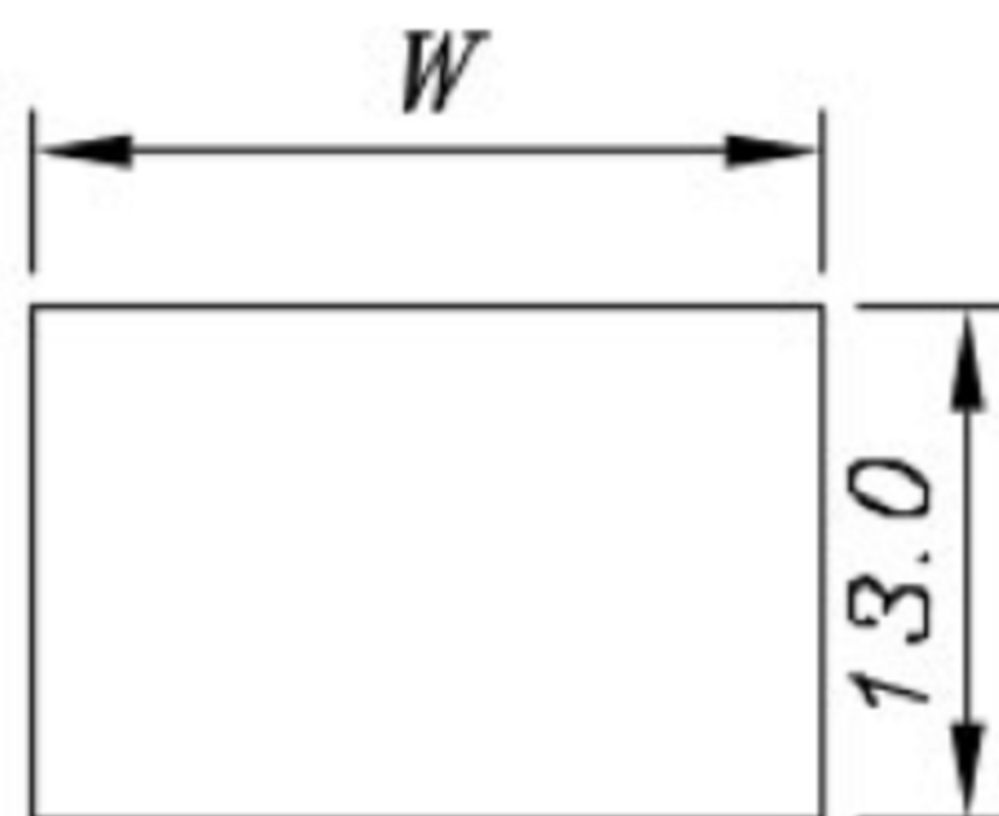


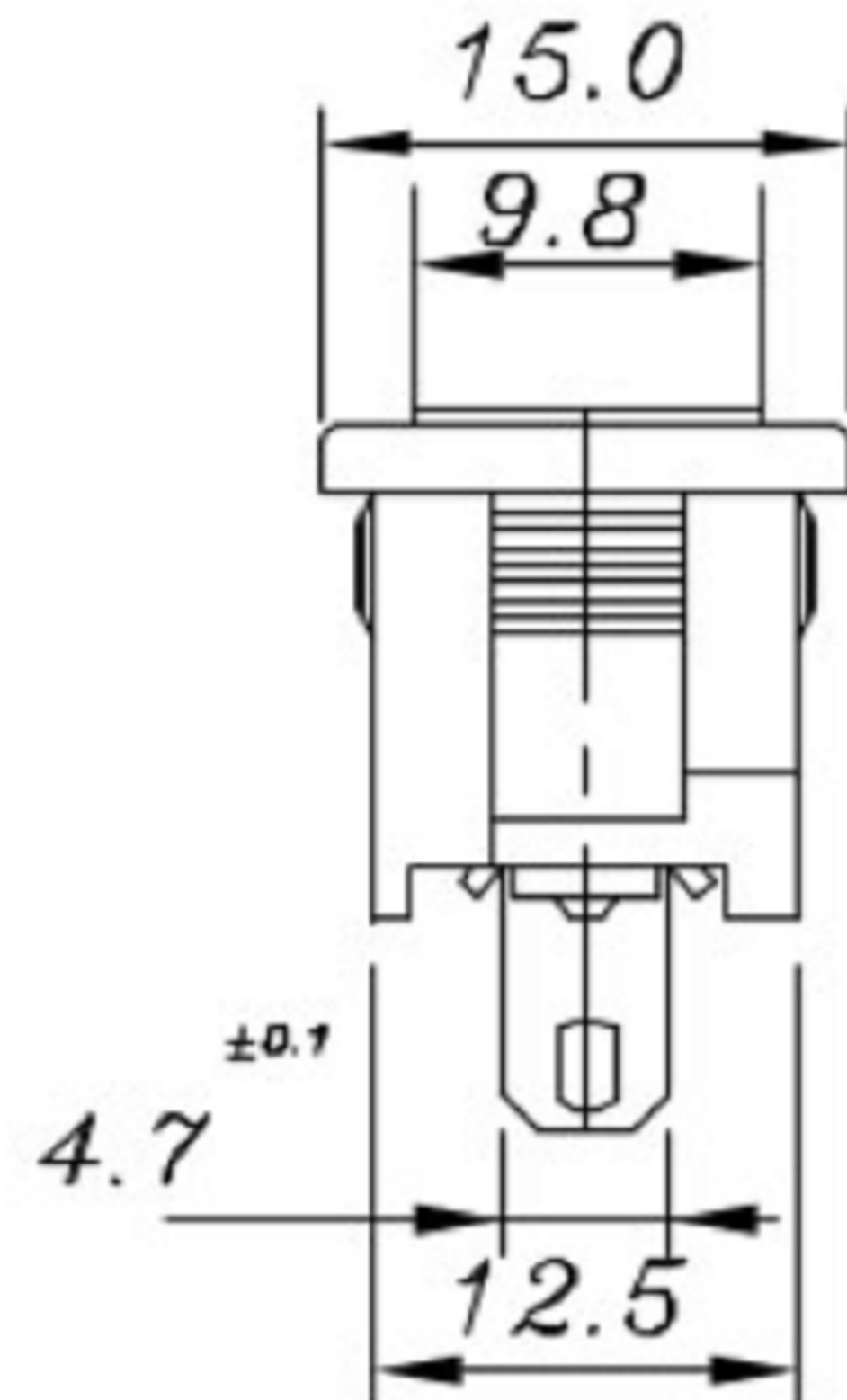
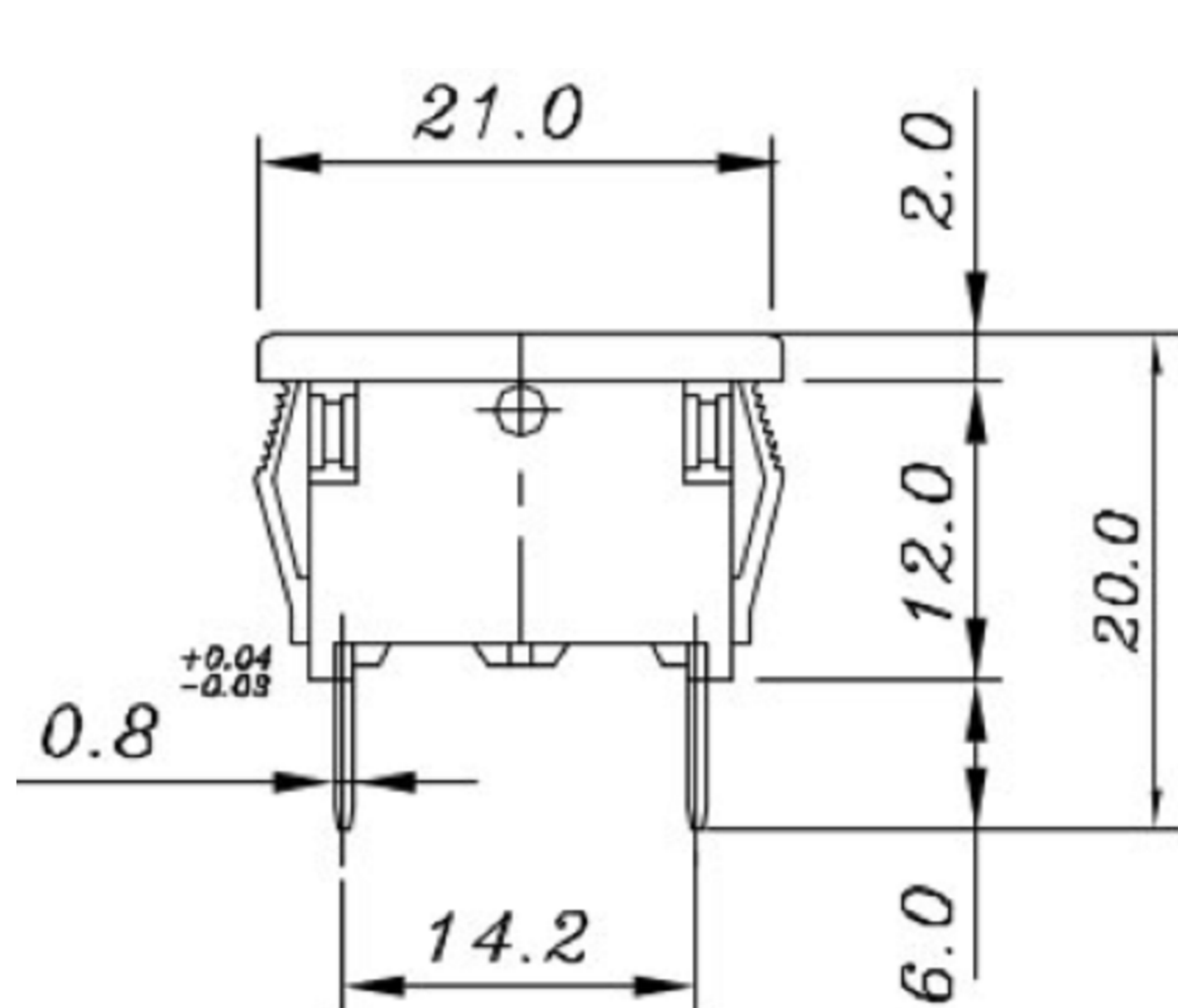
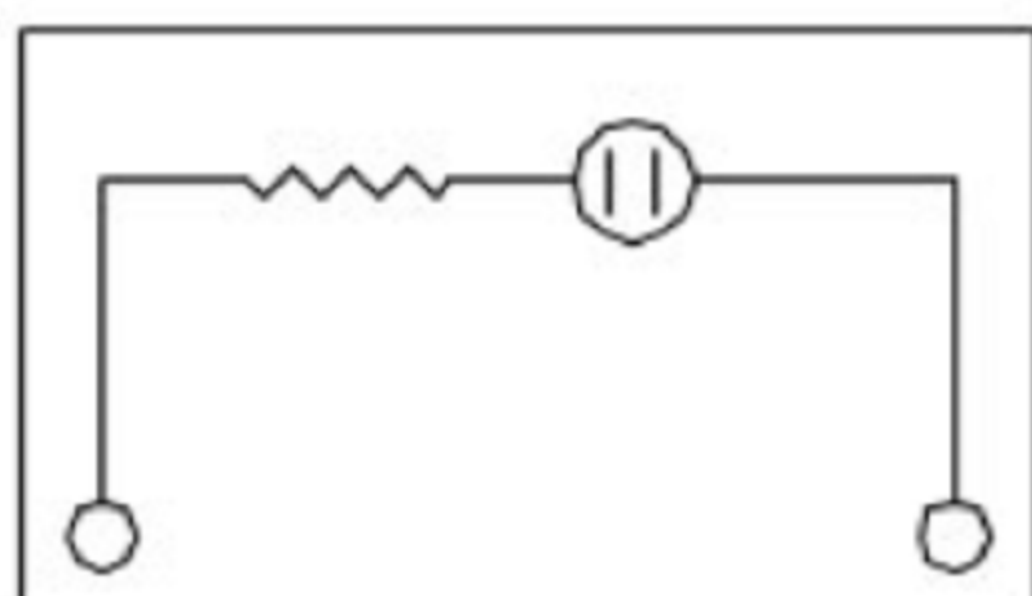


W	PANEL THICK
19.2	0.75-1.25
19.4	1.25-2.0
19.8	2.0-3.0



規格  
SPECIFICATIONS:

- 1. 迴路 CIRCUIT INDICATOR
- 2. 定格 RATING 125/250VAC  
12/24VDC
- 3. 絕緣電阻 INSULATION RESISTANCE. DC 500V 100MΩ Min
- 4. 耐電壓 WITHSTAND VOLTAGE. AC 1000V 1 Minute .
- 5. 使用溫度範圍 OPERATING TEMPERATURE RANGE -25°C~+85°C .
- 6. 焊接 SOLDERING 280°C FOR 3 Sec .



 广东科斯达电子科技有限公司  
GUANG DONG KE SI DA ELECTRONIC TECHNOLOGY CO., LTD.

TOLERANCE UNLESS OTHERWISE STATED: Up to 5 ±0.2  
Above 5 ~ 15 ±0.3  
Above 15 ~ 30 ±0.4  
Above 30 ~ 50 ±0.5  
Angle ±0.3

3RD. ANGEL'S

UNITS MM

DRAWN BY:	DATE	MAT'L	TITLE	SWITCH
Jack Lu	12/27/22		MODLE	TACT SWITCH WITH LED
CHECKED BY:	DATE	FINISH	DWG NO.	
Jacky Chen	12/27/22		SHEET NO.	1 of 1
APPROVED BY:	DATE	SCALE	PART NO.	
Tony Kao	12/27/22	1:1		

ITEM NO.	DESCRIPTION	DRAWN	DATE

SIZE  
A4  
VER  
R