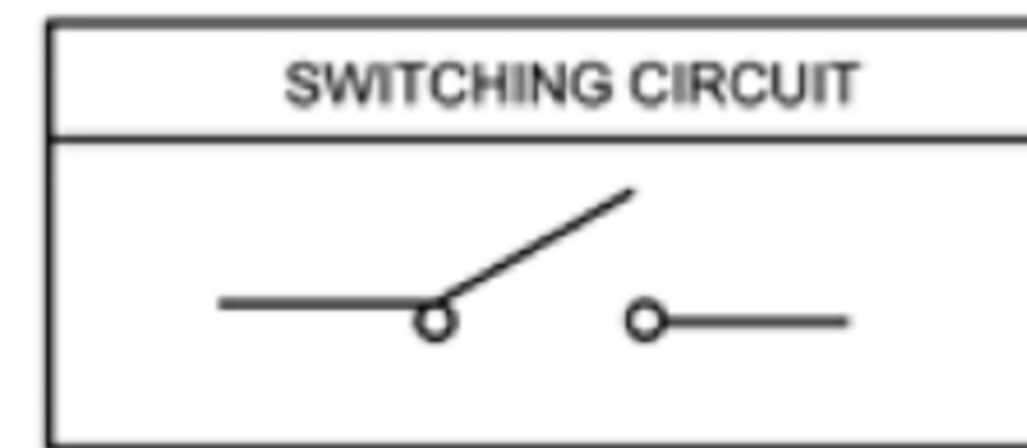
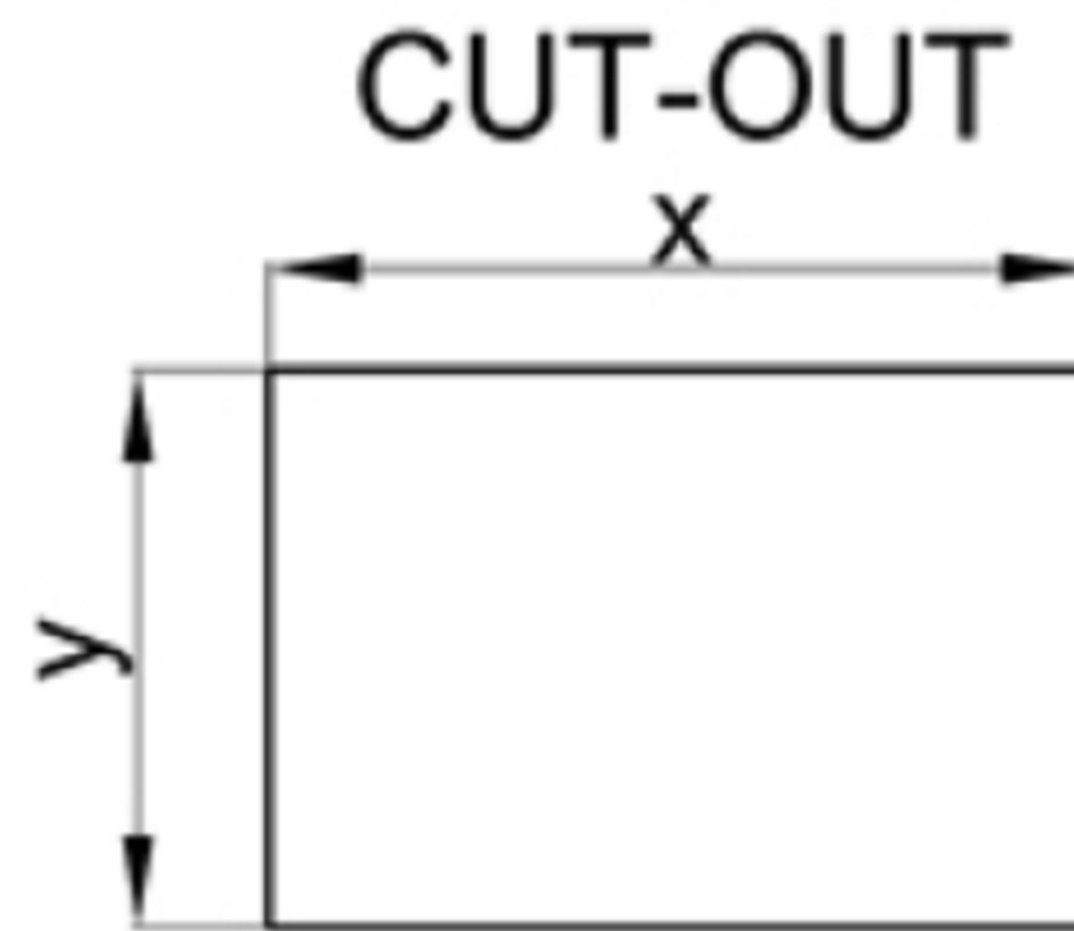
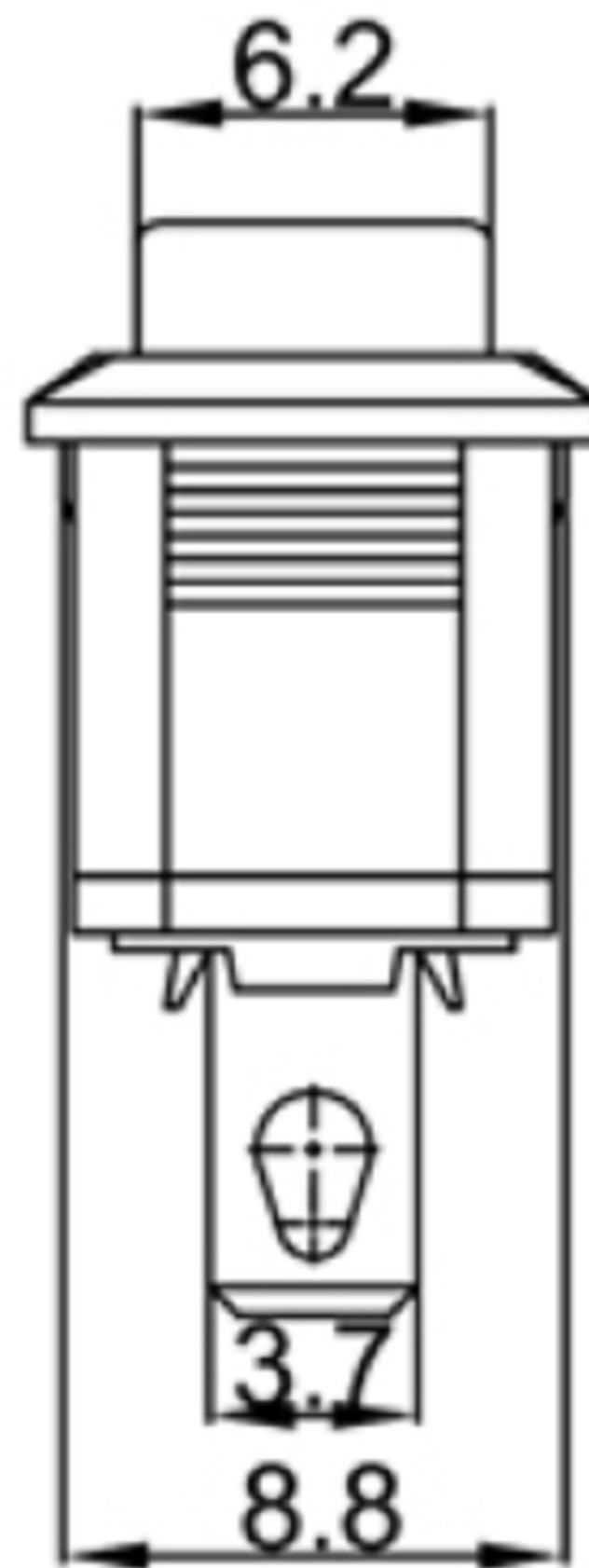
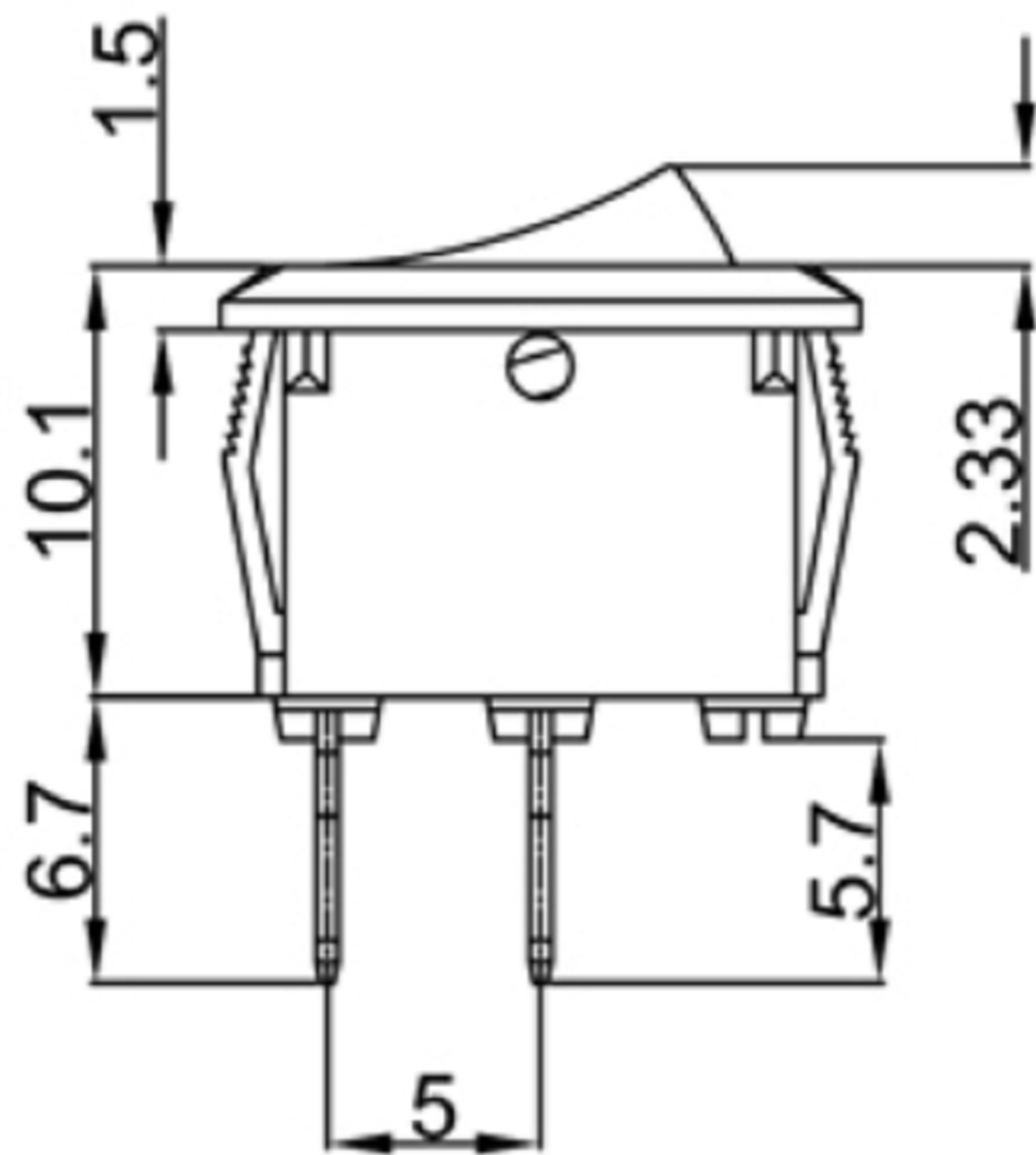


Rating: 6A 125VAC
3A 250VAC

Contact Resistance: 50mΩ max
Insulation Resistance: DC 500V 100MΩ min
Dielectric Strength: AC 1500V 1 minute
Operating Force: 300±100gf
Mechanical Life: 50,000 cycles
Load Life: 10,000 cycles
Operating Temperature: 0°C~85°C



| | X | Y |
|-----------|----------|---------|
| 0.75~1.25 | 13.6-0.1 | 9.2±0.1 |
| 1.25~2.00 | 13.7-0.1 | 9.2±0.1 |
| 2.00~3.00 | 13.8-0.1 | 9.2±0.1 |

| x | 0 | 1 | 2 | 3 | 4 | 5 |
|---------|------|---|-----------|--------|--------|-------|
| Marking | None | • | ON OFF | ≡ — | ○ — | ○ |

广东科斯达电子科技有限公司
GUANG DONG KE SI DA ELECTRONIC TECHNOLOGY CO., LTD.

TOLERANCE UNLESS OTHERWISE STATED:
Up to 5 ±0.2
Above 5 ~ 15 ±0.3
Above 15 ~ 30 ±0.4
Above 30 ~ 50 ±0.5
Angle ±0.3

3RD. ANGEL'S

UNITS MM

| | | | | |
|--------------|----------|-----------|----------|----------------------|
| DRAWN BY: | DATE | MAT'L | TITLE | SWITCH |
| Jack Lu | 12/27/22 | | | |
| CHECKED BY: | DATE | FINISH | MODLE | TACT SWITCH WITH LED |
| Jacky Chen | 12/27/22 | | | |
| APPROVED BY: | DATE | SCALE | DWG NO. | |
| Tony Kao | 12/27/22 | 1 : 1 | | |
| | | SHEET NO. | PART NO. | |
| | | 1 of 1 | | |

| ITEM NO. | DESCRIPTION | DRAWN | DATE |
|----------|-------------|-------|------|
| | | | |

SIZE
A4
VER
R