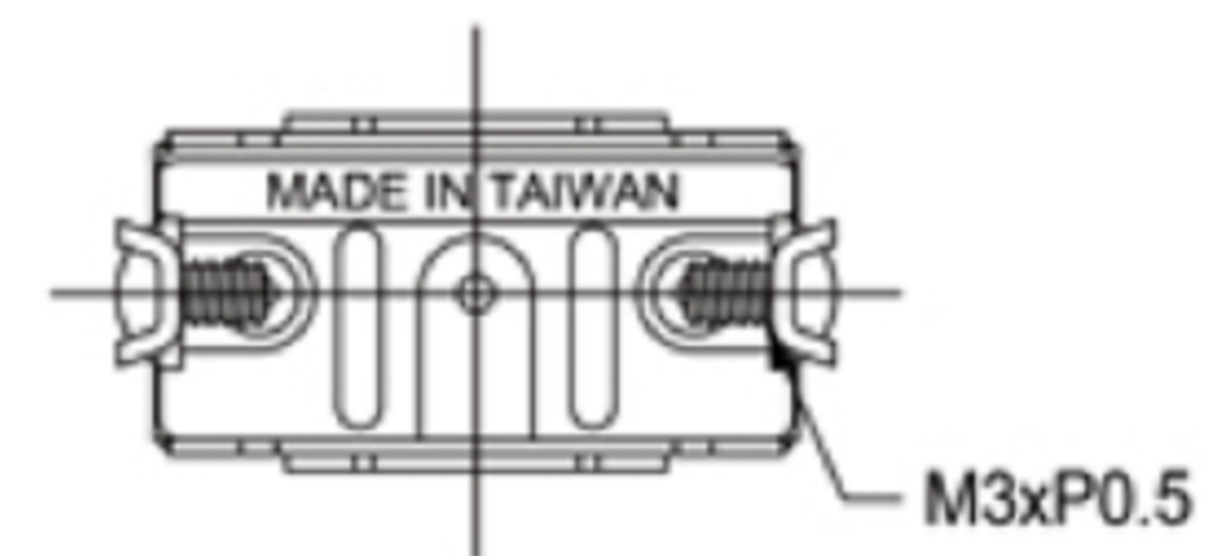
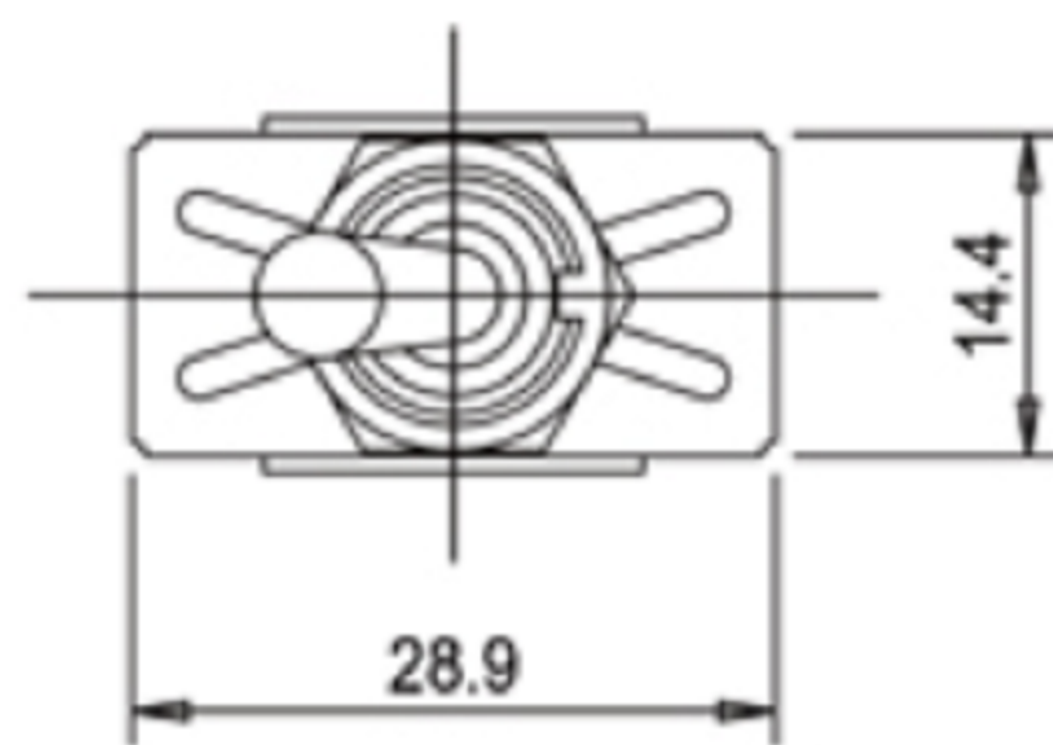
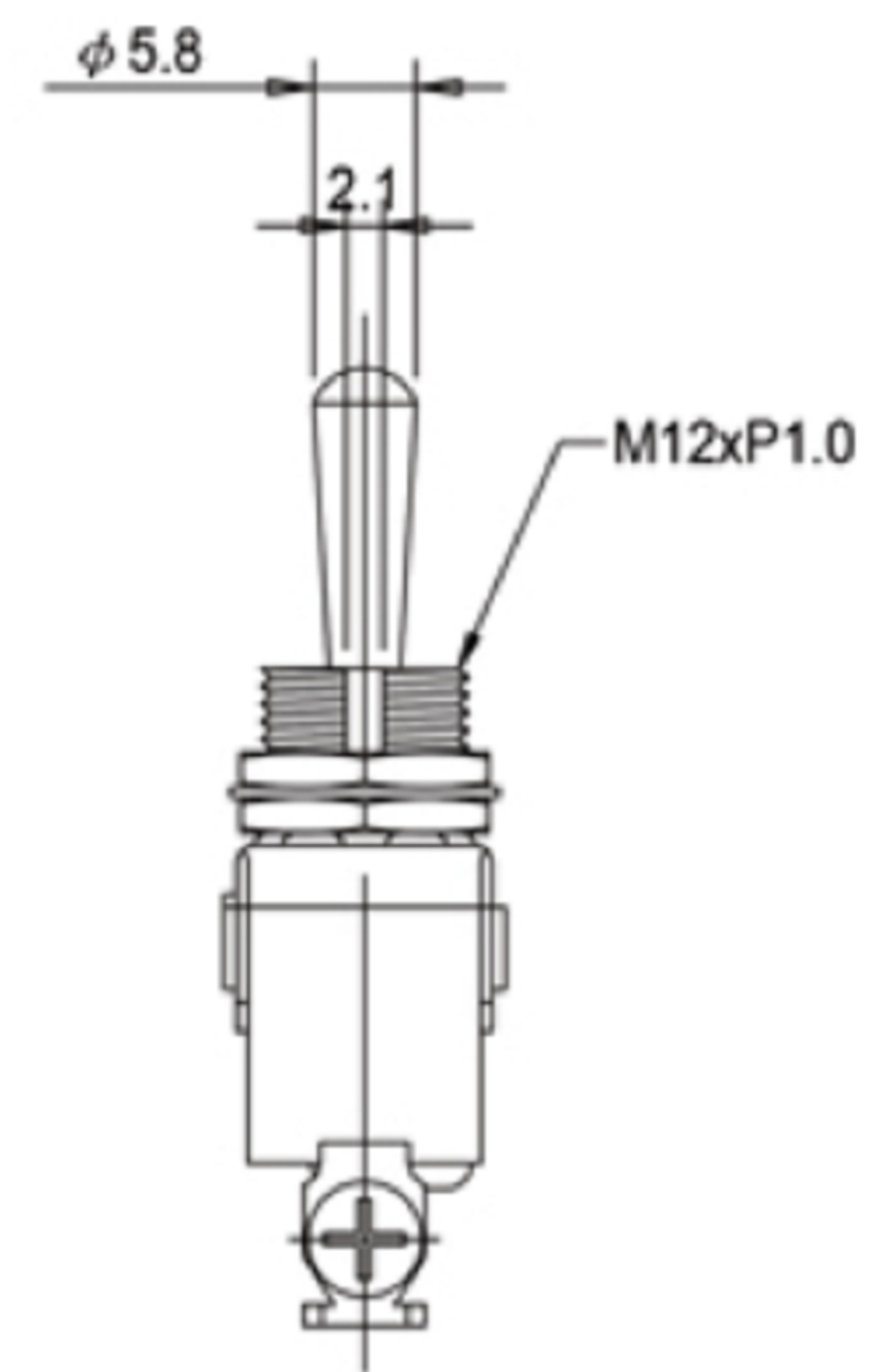
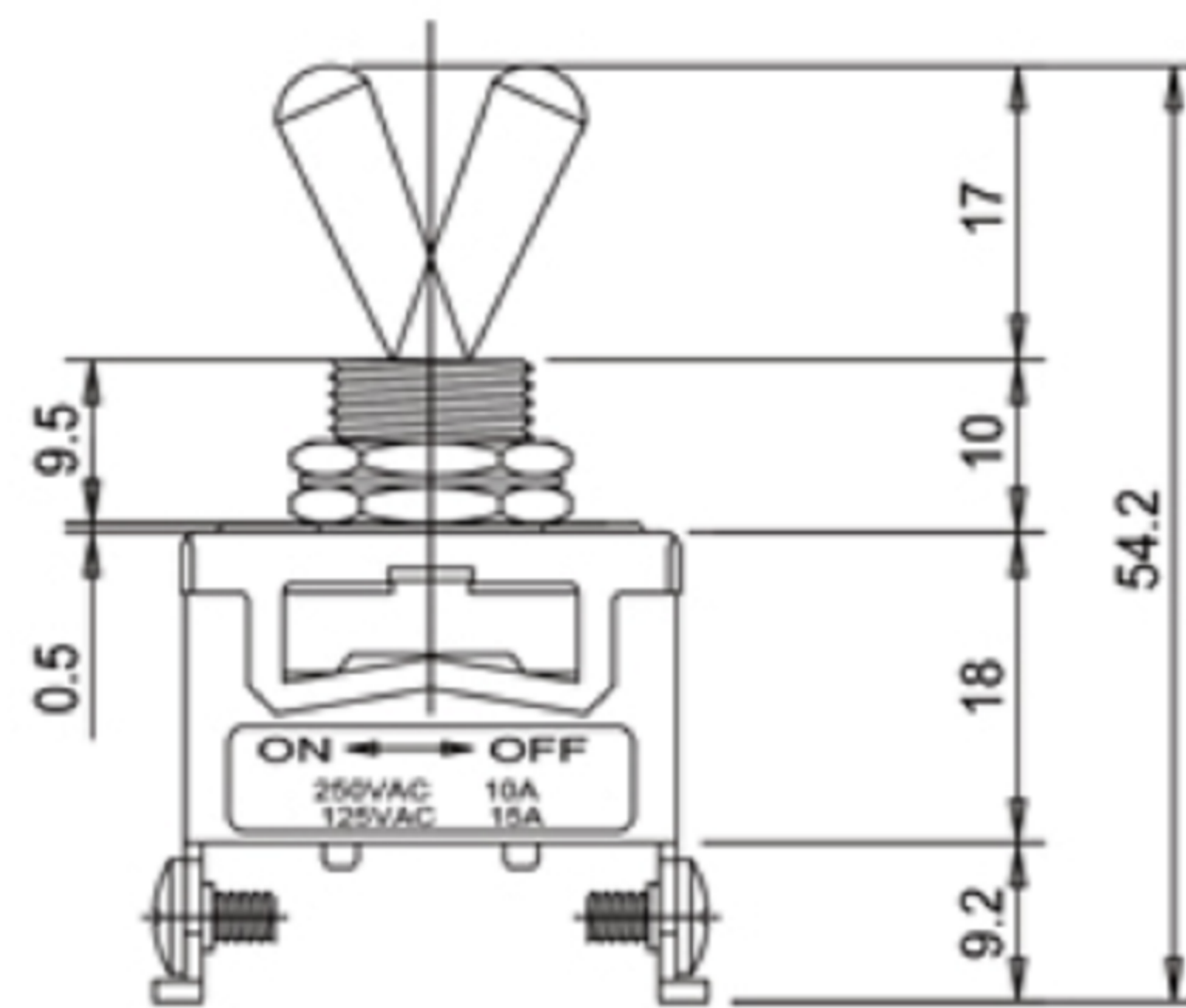




| MODEL | NO. MODEL | SWITCHING POSITION TYPE |
|----------|-----------|-------------------------|
| L7-A-1-1 | 703 | ON NONE OFF SPST |
| L7-A-1-4 | 703A | (ON) NONE OFF SPST |



| Termination Options | | | | |
|---------------------|-----|-----|------|------|
| H1 | H2 | H3 | H4 | H5 |
| | | | | |
| 7.2 | 9.2 | 5.2 | 10.7 | 10.7 |
| 7 | 6.8 | 4.8 | 4.8 | 6.2 |



广东科斯达电子科技有限公司
GUANG DONG KE SI DA ELECTRONIC TECHNOLOGY CO., LTD.

TOLERANCE UNLESS OTHERWISE STATED: Up to 5 ±0.2, Above 5 ~ 15 ±0.3, Above 15 ~ 30 ±0.4, Above 30 ~ 50 ±0.5, Angle ±0.3
 3RD. ANGEL'S
 UNITS MM

| | | | | |
|--------------|----------|-----------|----------|----------------------|
| DRAWN BY: | DATE | MAT'L | TITLE | SWITCH |
| Jack Lu | 12/27/22 | FINISH | MODLE | TACT SWITCH WITH LED |
| CHECKED BY: | DATE | SCALE | DWG NO. | SIZE |
| Jacky Chen | 12/27/22 | 1 : 1 | PART NO. | A4 |
| APPROVED BY: | DATE | SHEET NO. | | VER |
| Tony Kao | 12/27/22 | 1 of 1 | | R |

| ITEM NO. | DESCRIPTION | DRAWN | DATE |
|----------|-------------|-------|------|
| | | | |