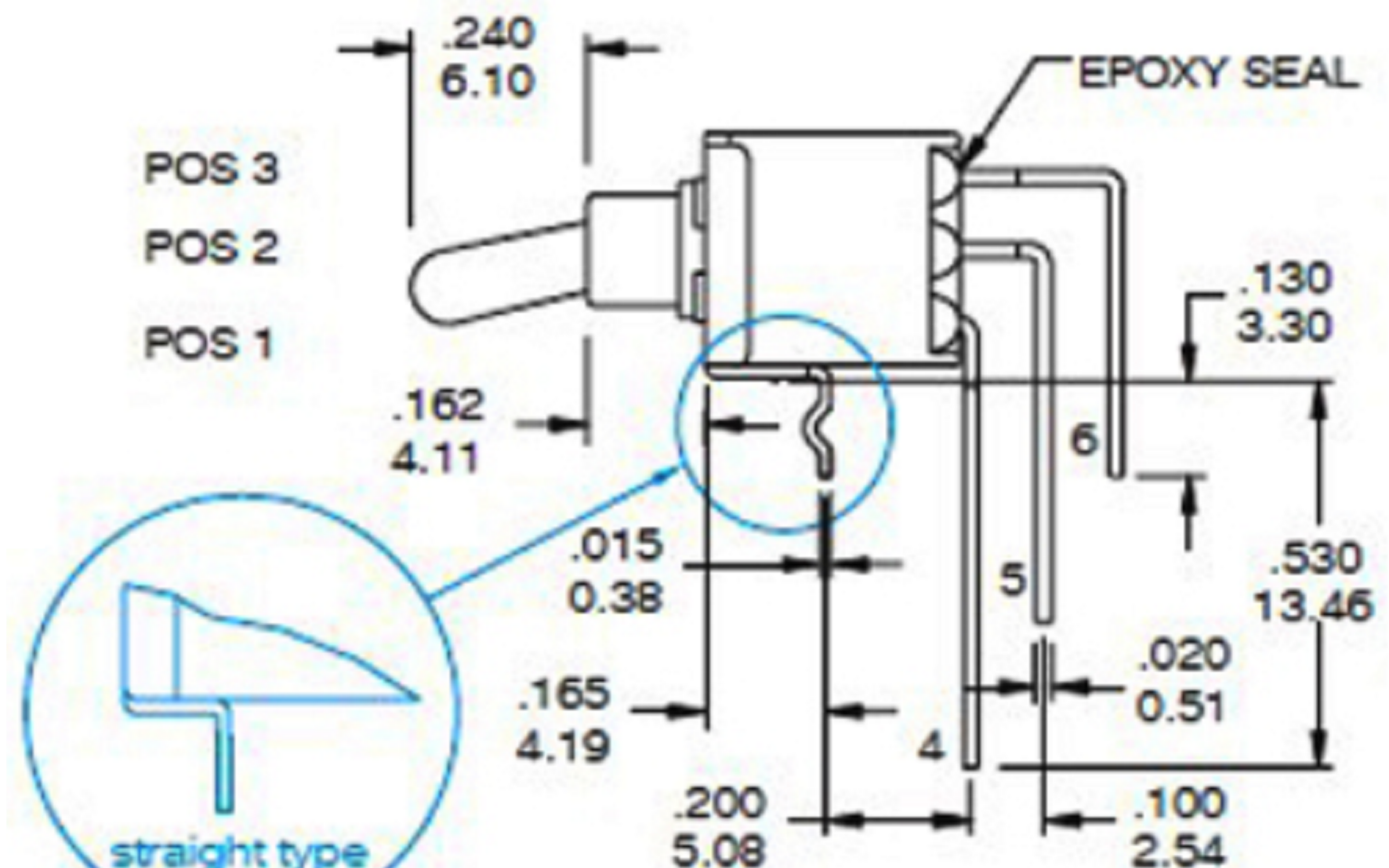
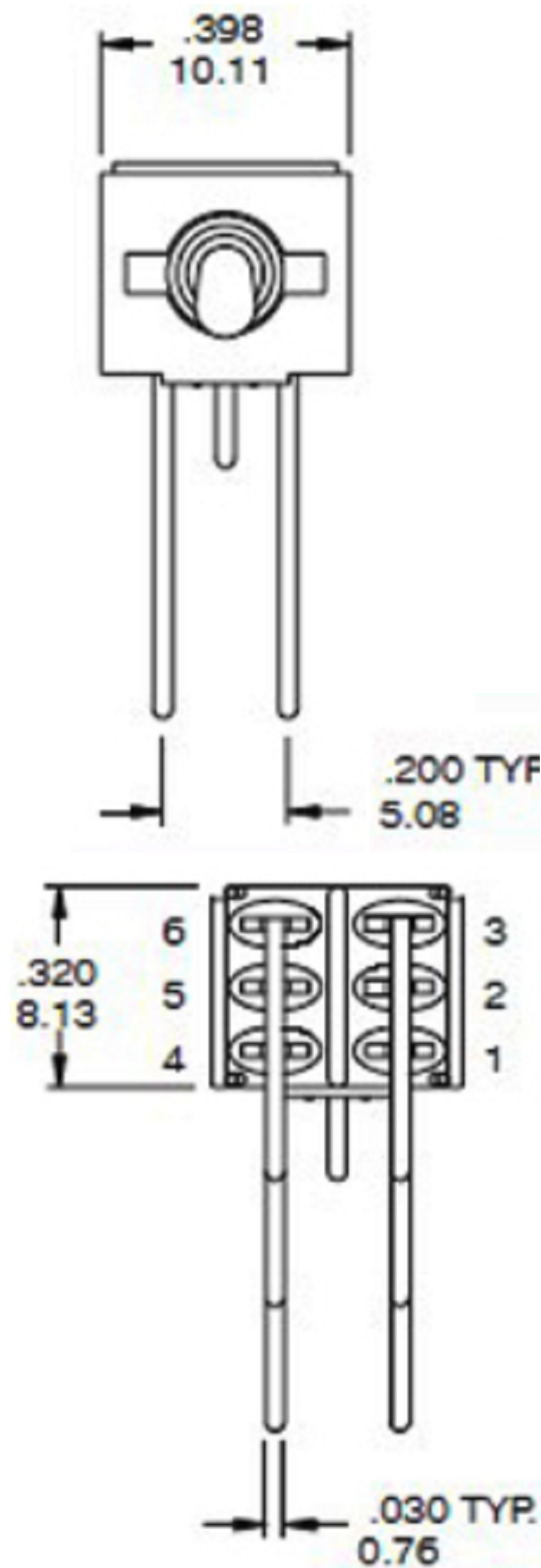
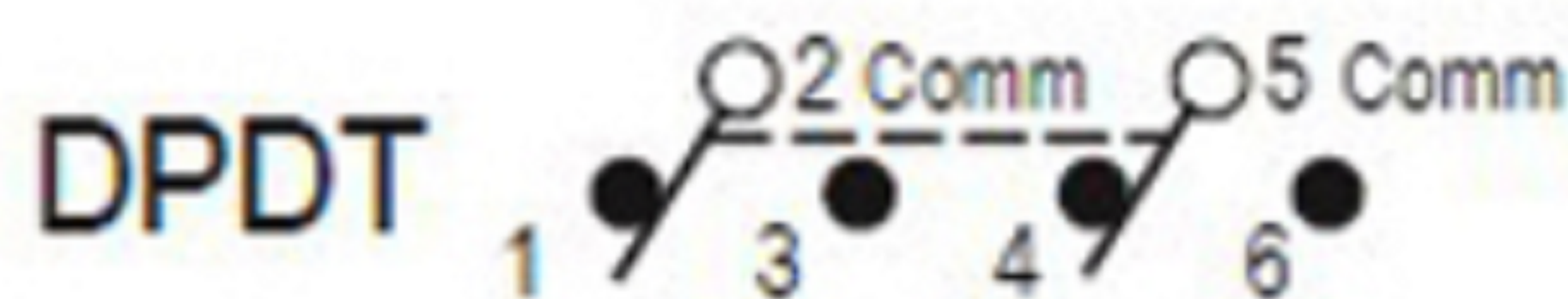




Model No.	Switching position		
ES-9	ON	none	ON
ES-9A	ON	OFF	ON
ES-9B	ON	None	(ON)
ES-9H	(ON)	OFF	(ON)
ES-9I	ON	OFF	(ON)
Term. Comm.	2-3,5-6	open	2-1,5-4



ES-9- T2R-S

广东科斯达电子科技有限公司
GUANG DONG KE SI DA ELECTRONIC TECHNOLOGY CO., LTD.

TOLERANCE UNLESS OTHERWISE STATED: Up to 5 ±0.2, Above 5 ~ 15 ±0.3, Above 15 ~ 30 ±0.4, Above 30 ~ 50 ±0.5, Angle ±0.3. 3RD. ANGEL'S UNITS MM

DRAWN BY:	DATE	MAT'L	TITLE	SWITCH
Jack Lu	12/27/22		MODLE	TACT SWITCH WITH LED
CHECKED BY:	DATE	FINISH	DWG NO.	SIZE
Jacky Chen	12/27/22			A4
APPROVED BY:	DATE	SCALE	PART NO.	VER
Tony Kao	12/27/22	1:1		R
SHEET NO.	1 of 1			