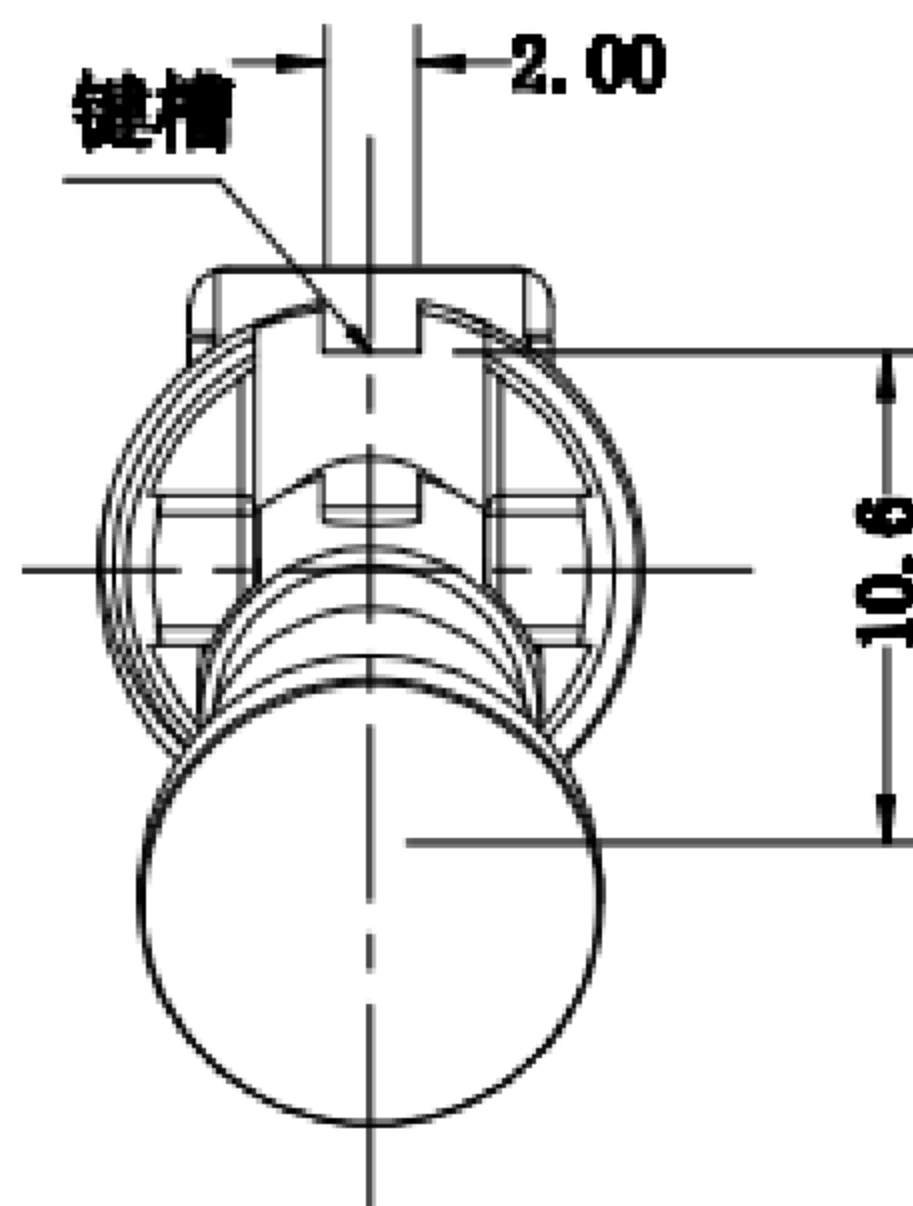
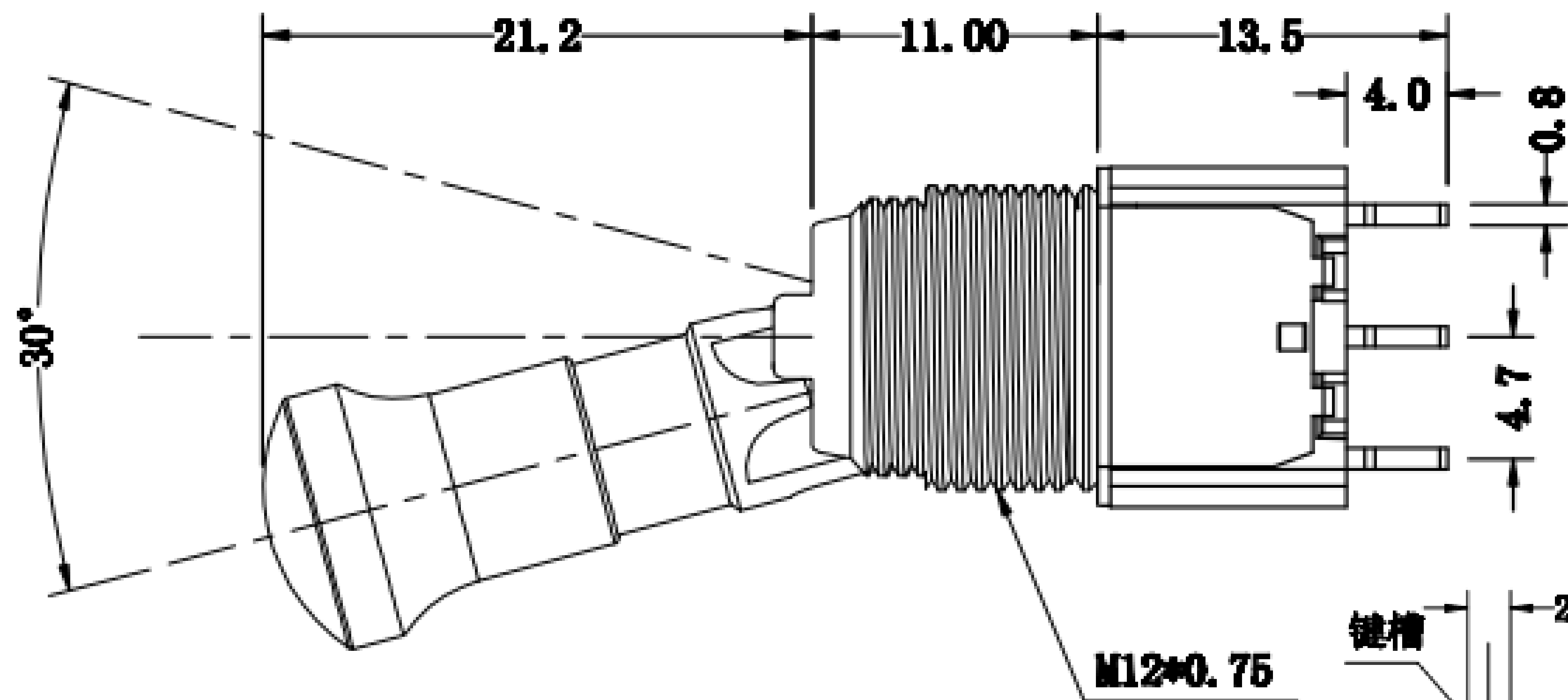


拉起距离最大2.5mm



SPECIFICATIONS:

CONTACT RATING : 5 AMPS / 120V AC or 28V DC

2 AMPS / 250V AC or 0.4VA AMPS @ 20V AC or DC

20VELECTRICAL LIFE : 50,000 make-and-break cycles at full load.

CONTACT RESISTANCE : 10 mΩ max. initial @ 2-4 VDC

100 mA , for both coin silver and gold plated contacts.

INSULATION RESISTANCE : 1,000 MΩ min

DIELETRIC STRENGTH : 1,000 V RMS @ sea level.

OPERATING TEMPERTURE : -30°C to 130°C

MTAERIALS:

CASE : Dially phthalate (DAP)(UL-94V-0)

ACTUATOR : Brass,chrome plated.

BUSHING : Brass. nickel plated.

HOUSING : Stainless steel.

TERMINAL/CONTACT : Brass , witch silver or gold plated.

or gold over silver

SWITCH SUPPORT : Brass , tin plated.



TOLERANCE UNLESS OTHERWISE STATED :	Up to 5 ±0.2	3RD. ANGEL'S	UNITS	MM
	Above 5 ~ 15 ±0.3			
	Above 15 ~ 30 ±0.4			
	Above 30 ~ 50 ±0.5			
	Angle ±0.3°			

DRAWN BY:	DATE	MAT'L	TITLE	SWITCH
Frank Wu	11/04/11			
CHECKED BY:	DATE	FINISH	MODLE	TOGGLE ROCKER SWITCH
Jacky Chen	11/04/11			
APPROVED BY:	DATE	SCALE	DWG NO.	SIZE
Tony Kao	11/04/11	1 : 1		A4
		SHEET NO.	PART NO.	VER
		1 of 1		A

ITEM NO.	DESCRIPTION	DRAWN	DATE