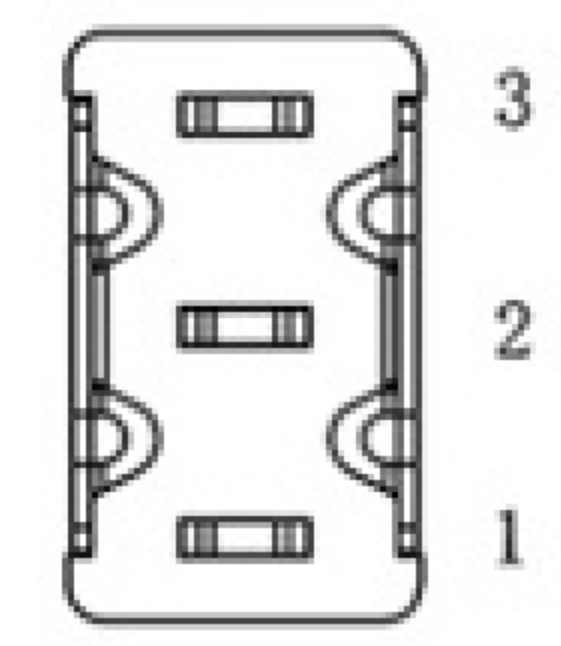
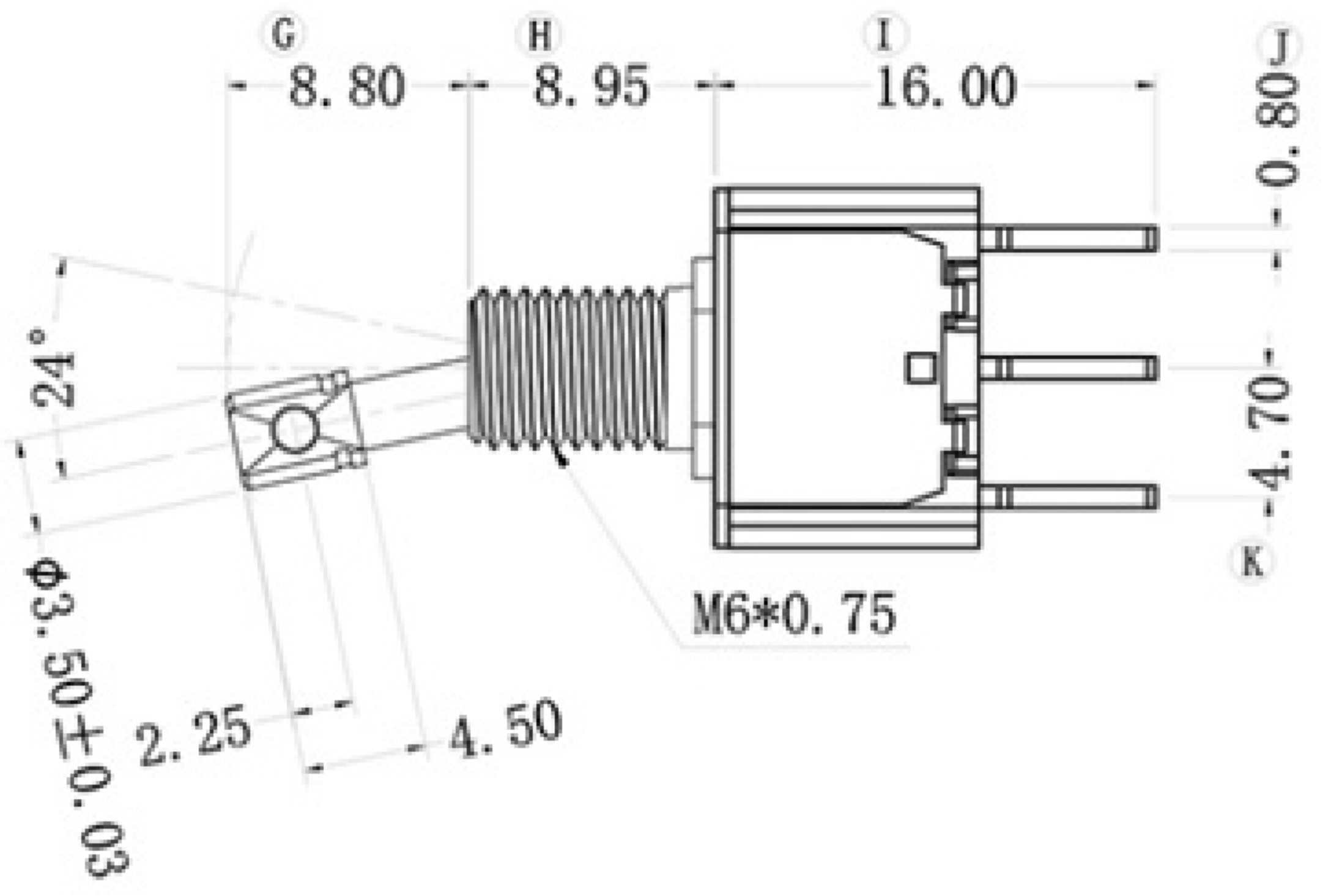
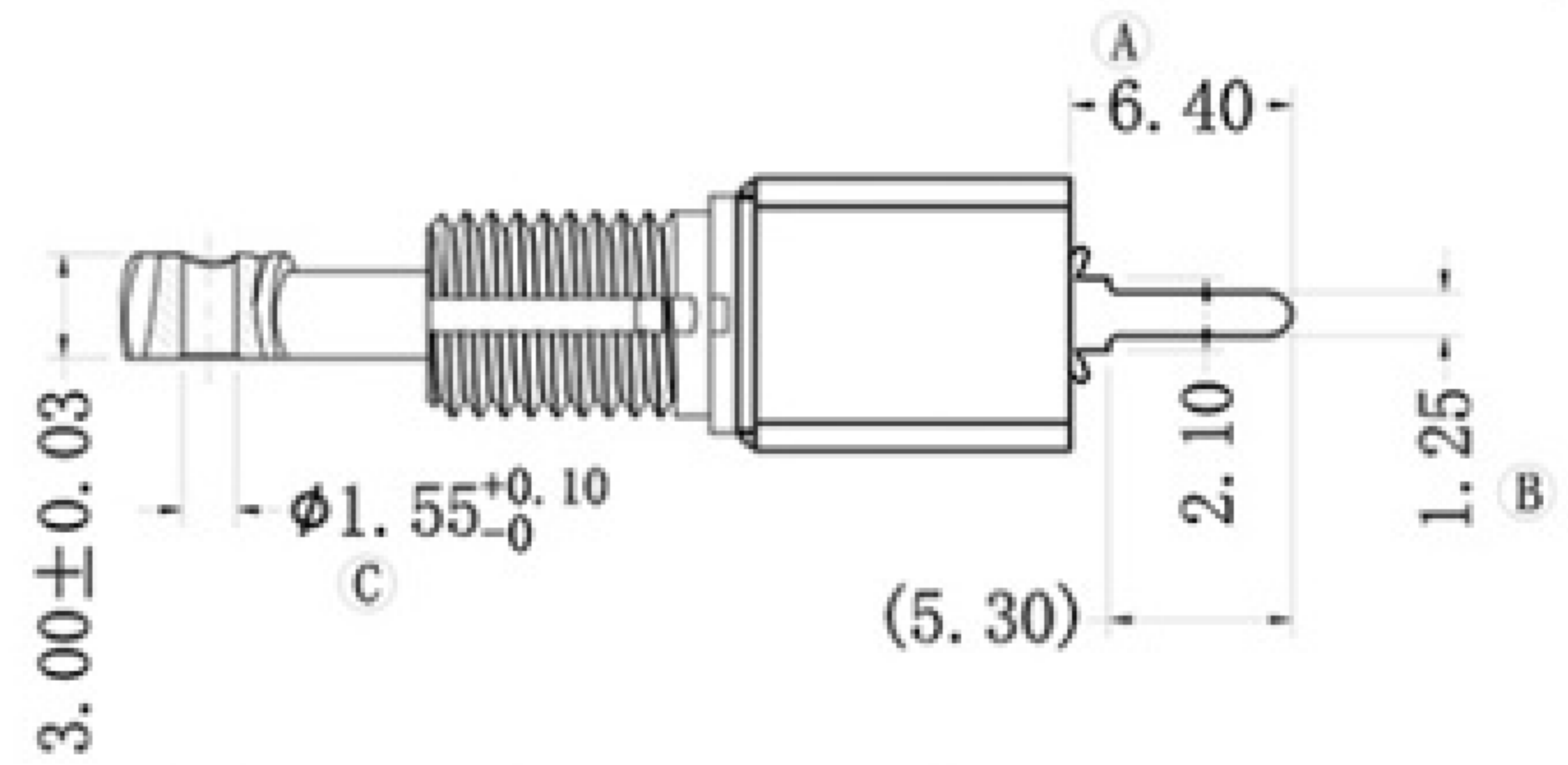
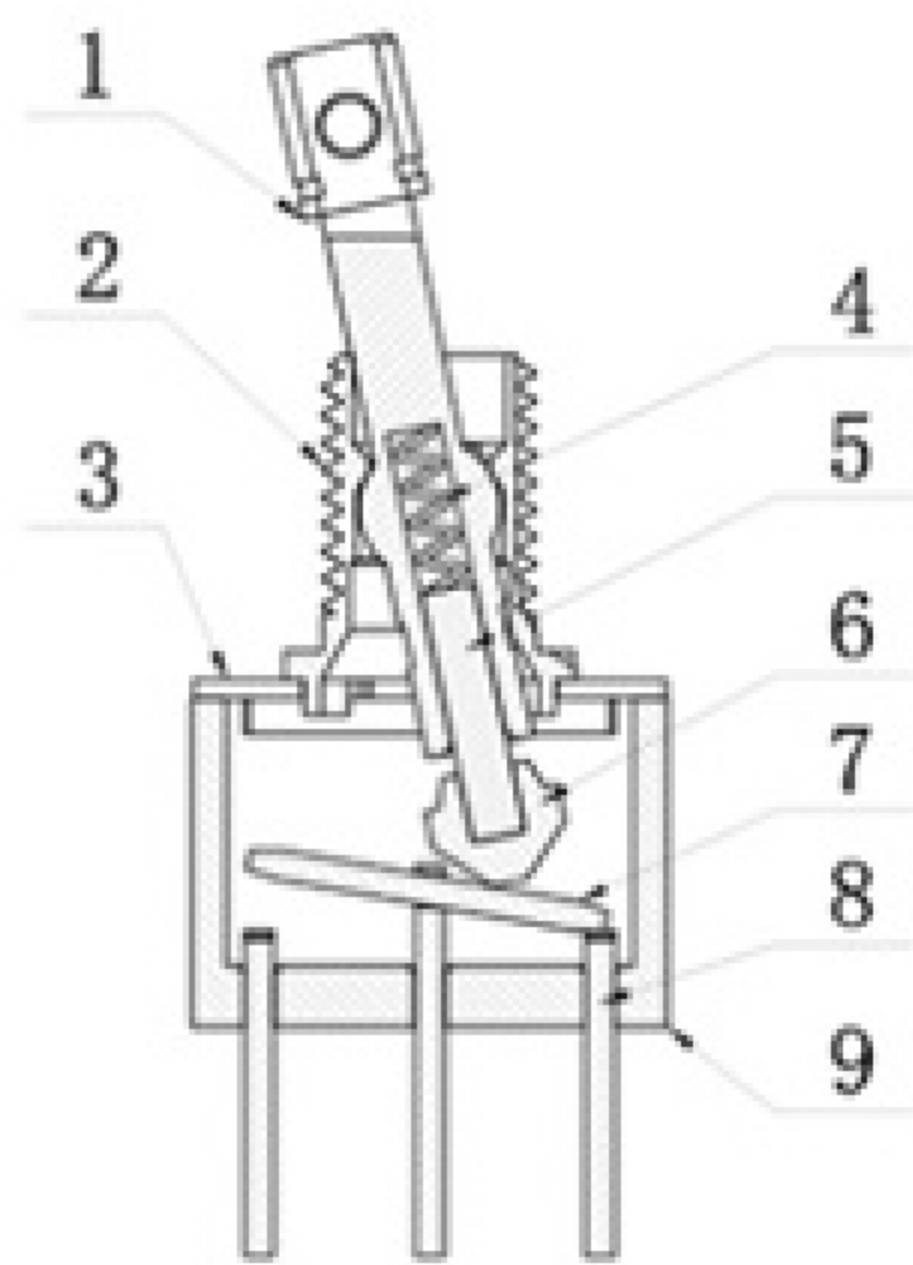


手柄旋转角度 $\leq 6^\circ$



安装孔尺寸

SPECIFICATIONS:

- CONTACT RATING : 5 AMPS / 120V AC or 28V DC
2 AMPS / 250V AC or 0.4VA AMPS @ 20V AC or DC
- ELECTRICAL LIFE : 50,000 make-and-break cycles at full load.
- CONTACT RESISTANCE : 10 mΩ max. initial @ 2-4 VDC
100 mA , for both coin silver and gold plated contacts.
- INSULATION RESISTANCE : 1,000 MΩ min
- DIELECTRIC STRENGTH : 1,000 V RMS @ sea level.
- OPERATING TEMPERATURE : -30°C to 130°C

MATERIALS:

- CASE : Dially phthalate (DAP)(UL-94V-0)
- ACTUATOR : Brass,chrome plated.
- BUSHING : Brass, nickel plated.
- HOUSING : Stainless steel.
- TERMINAL/CONTACT : Brass , with silver or gold plated.
or gold over silver
- SWITCH SUPPORT : Brass , tin plated.

广东科斯达电子科技有限公司
GUANG DONG KE SI DA ELECTRONIC TECHNOLOGY CO., LTD.

| | | | | |
|-------------------------------------|--------------------|--------------|-------|----|
| TOLERANCE UNLESS OTHERWISE STATED : | Up to 5 ±0.2 | 3RD. ANGEL'S | UNITS | MM |
| | Above 5 ~ 15 ±0.3 | | | |
| | Above 15 ~ 30 ±0.4 | | | |
| | Above 30 ~ 50 ±0.5 | | | |
| | Angle ±0.3° | | | |

| | | | | |
|--------------|----------|-----------|----------|----------------------|
| DRAWN BY: | DATE | MAT'L | TITLE | SWITCH |
| Frank Wu | 11/04/11 | | | |
| CHECKED BY: | DATE | FINISH | MODLE | TOGGLE ROCKER SWITCH |
| Jacky Chen | 11/04/11 | | | |
| APPROVED BY: | DATE | SCALE | DWG NO. | SIZE |
| Tony Kao | 11/04/11 | 1 : 1 | | A4 |
| | | SHEET NO. | PART NO. | VER |
| | | 1 of 1 | | A |

| | | | |
|----------|-------------|-------|------|
| ITEM NO. | DESCRIPTION | DRAWN | DATE |
| | | | |