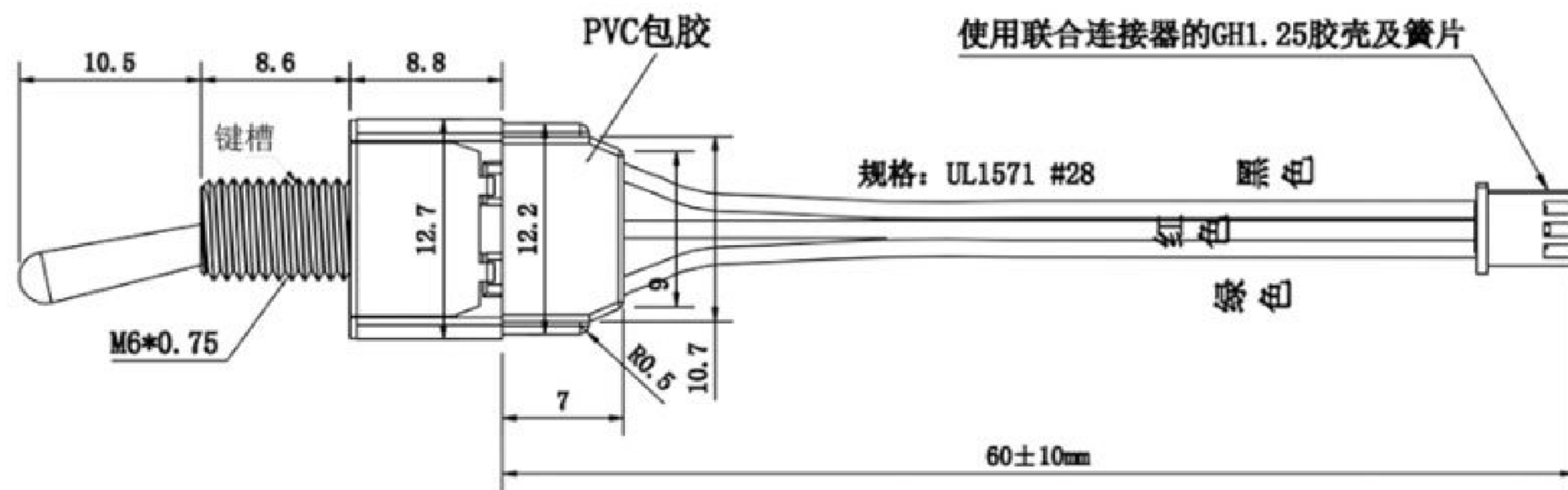


SPECIFICATIONS:

CONTACT RATING : 5 AMPS / 120V AC or 28V DC
 2 AMPS / 250V AC or 0.4VA AMPS @ 20V AC or DC
 20VELECTRICAL LIFE : 50,000 make-and-break cycles at full load.
 CONTACT RESISTANCE : 10 mΩ max. initial @ 2-4 VDC
 100 mA , for both coin silver and gold plated contacts.
 INSULATION RESISTANCE : 1,000 MΩ min
 DIELETRIC STRENGTH : 1,000 V RMS @ sea level.
 OPERATING TEMPERTURE : -30°C to 130°C

MTAERIALS:

CASE : Dially phthalate (DAP)(UL-94V-0)
 ACTUATOR : Brass,chrome plated.
 BUSHING : Brass. nickel plated.
 HOUSING : Stainless steel.
 TERMINAL/CONTACT : Brass , witch silver or gold plated.
 or gold over silver
 SWITCH SUPPORT : Brass , tin plated.



广东科斯达电子科技有限公司
GUANG DONG KE SI DA ELECTRONIC TECHNOLOGY CO., LTD.

TOLERANCE UNLESS OTHERWISE STATED :
 Up to 5 ±0.2
 Above 5 ~ 15 ±0.3
 Above 15 ~ 30 ±0.4
 Above 30 ~ 50 ±0.5
 Angle ±0.3°

3RD. ANGEL'S

UNITS MM

DRAWN BY:	DATE	MAT'L	TITLE	SWITCH
Frank Wu	11/04/11			
CHECKED BY:	DATE	FINISH	MODLE	TOGGLE ROCKER SWITCH
Jacky Chen	11/04/11			
APPROVED BY:	DATE	SCALE	DWG NO.	SIZE
Tony Kao	11/04/11	1 : 1		A4
		SHEET NO.	PART NO.	VER
		1 of 1		A

ITEM NO.	DESCRIPTION	DRAWN	DATE