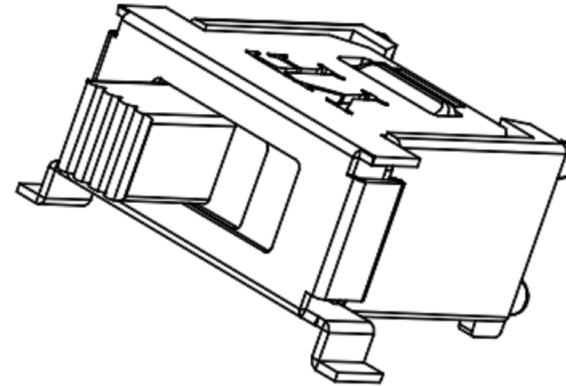
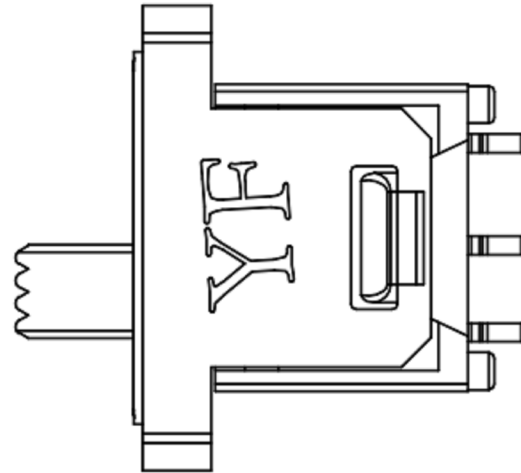
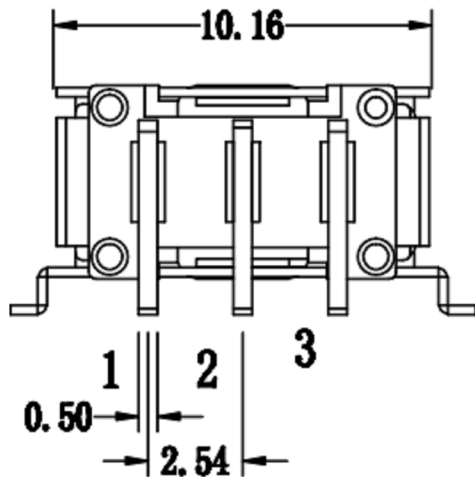
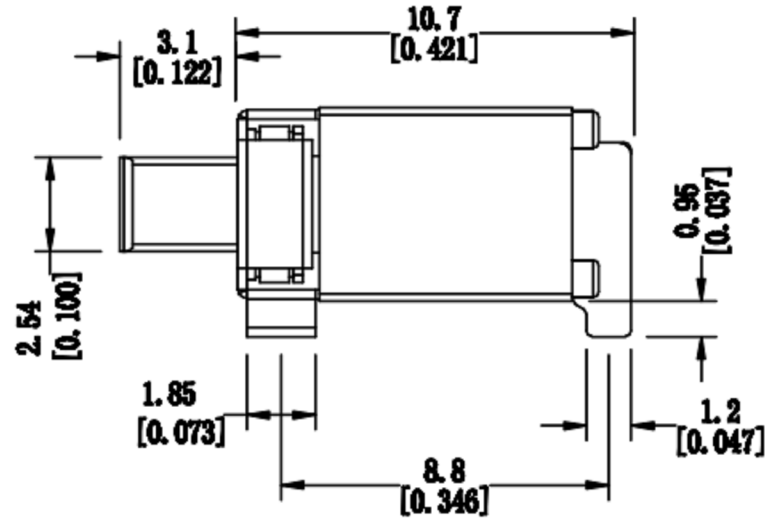


ACTUATOR IN POS. 1



技术特性

- 1、规格: 3A 125VAC; 1A 250VAC  
0.4 VA max. @ 20 V AC or DC max.
- 2、接触电阻: < 20mΩ
- 3、绝缘电阻: 500VDC不低于 1000mΩ
- 4、耐电压: 1000VAC, 1分钟
- 5、工作温度: -30°C~+85°C
- 6、电气寿命: 10,000次以上
- 7、机械寿命: 40,000次以上

材质

基座: PPA(UL94V-0)  
胶头: 高温尼龙,  
外壳: 黄铜/镀银

 广东科斯达电子科技有限公司  
GUANG DONG KE SI DA ELECTRONIC TECHNOLOGY CO., LTD.

TOLERANCE UNLESS OTHERWISE STATED:  
Up to 5 ±0.2  
Above 5 ~ 15 ±0.3  
Above 15 ~ 30 ±0.4  
Above 30 ~ 50 ±0.5  
Angle ±0.3°

3RD. ANGEL'S



UNITS MM

DRAWN BY: Frank Wu  
CHECKED BY: Jacky Chen  
APPROVED BY: Tony Kao  
DATE: 11/04/11  
DATE: 11/04/11  
DATE: 11/04/11

MAT'L  
FINISH  
SCALE 1 : 1  
SHEET NO. 1 of 1

TITLE SWITCH  
MODLE TOGGLE ROCKER SWITCH  
DWG NO.  
PART NO.

SIZE A4  
VER A

ITEM NO.	DESCRIPTION	DRAWN	DATE