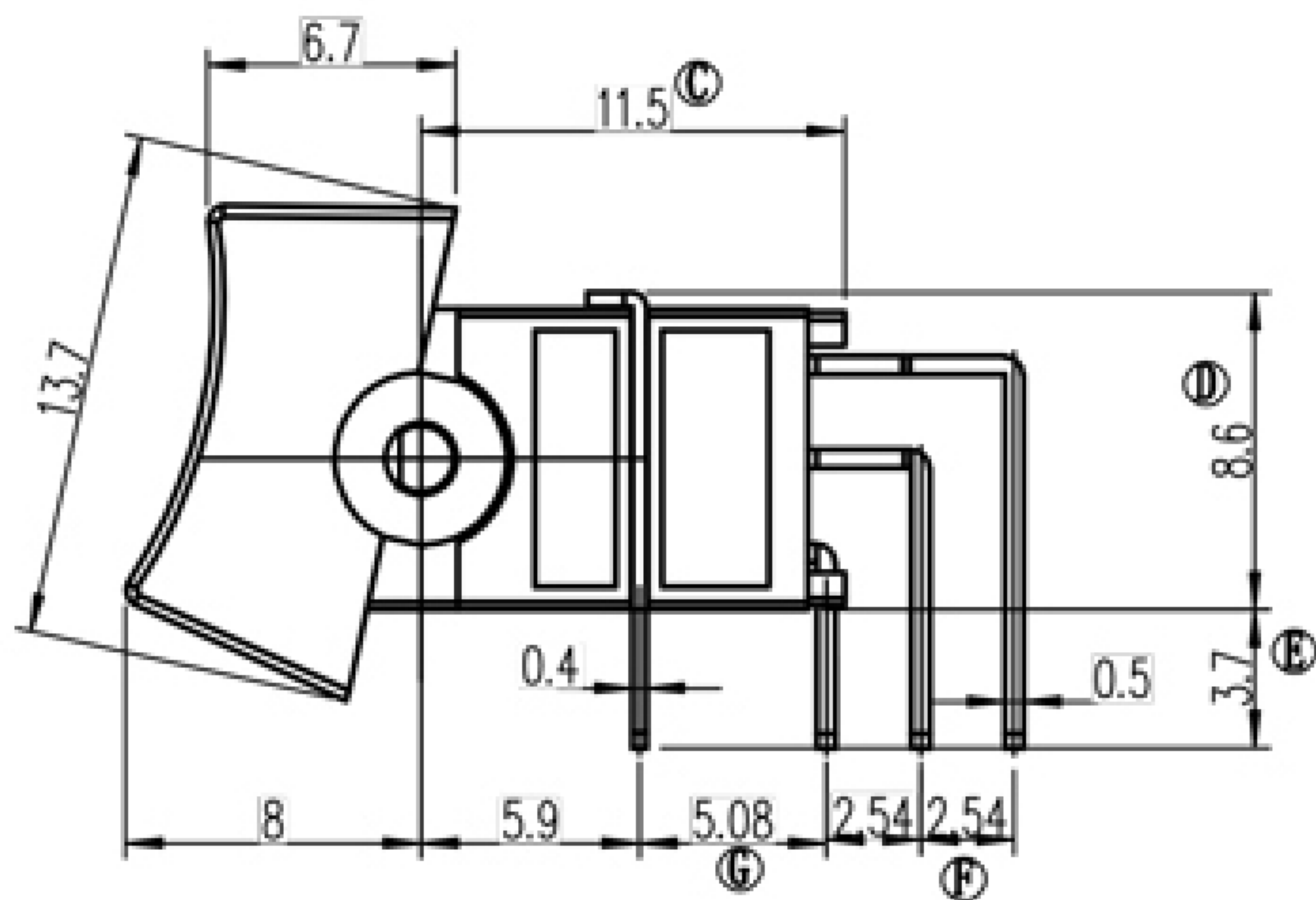
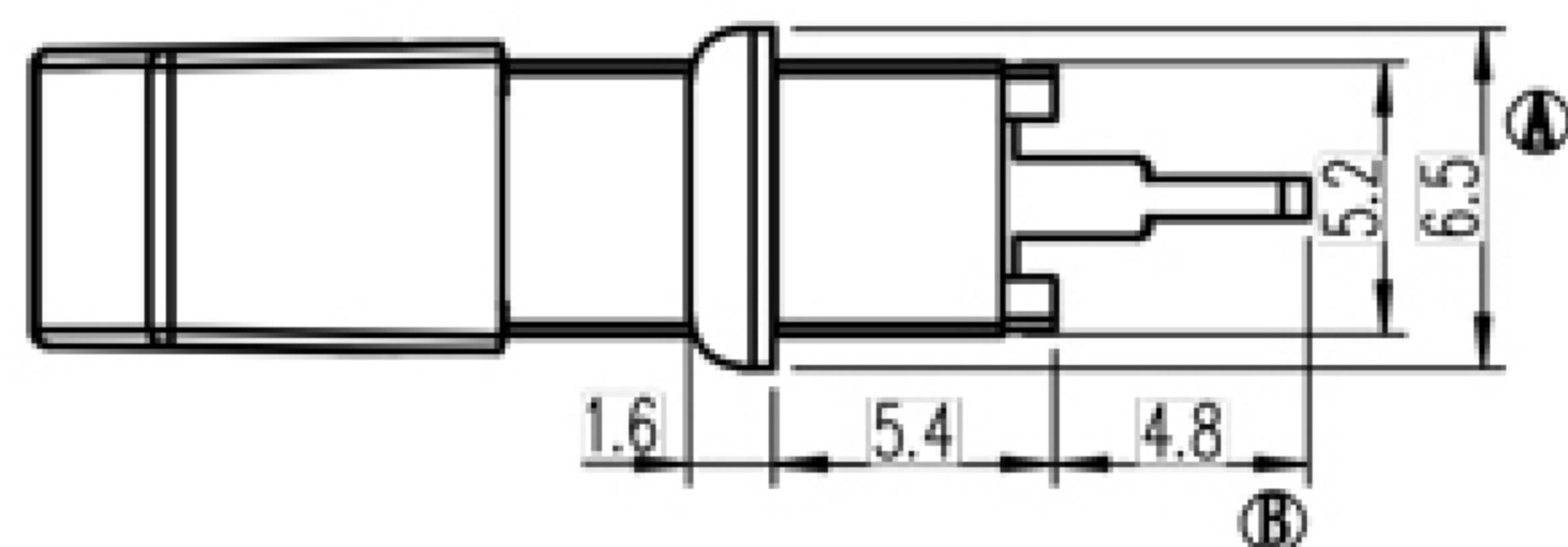
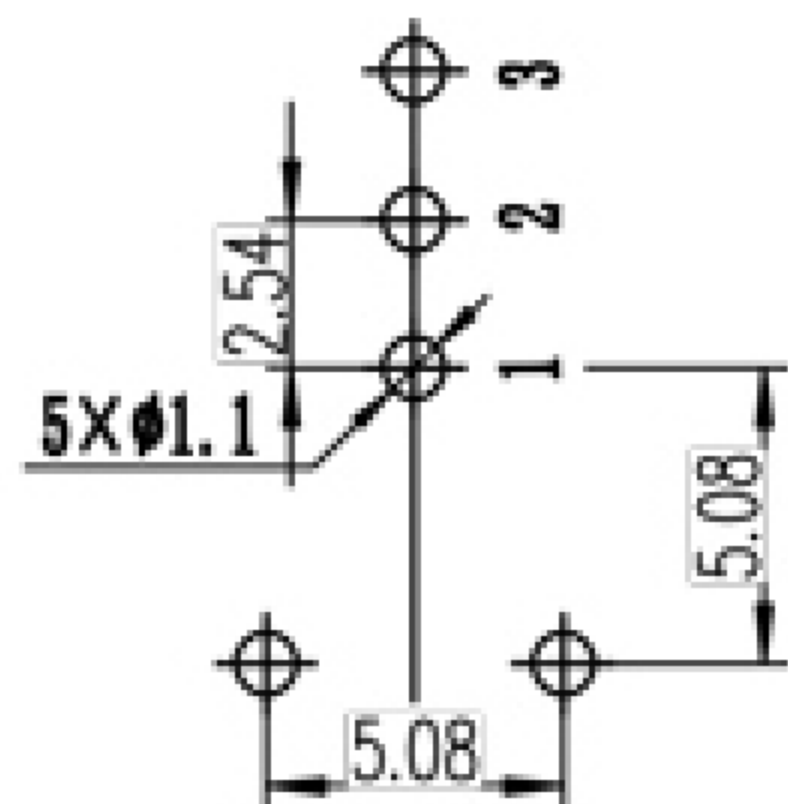
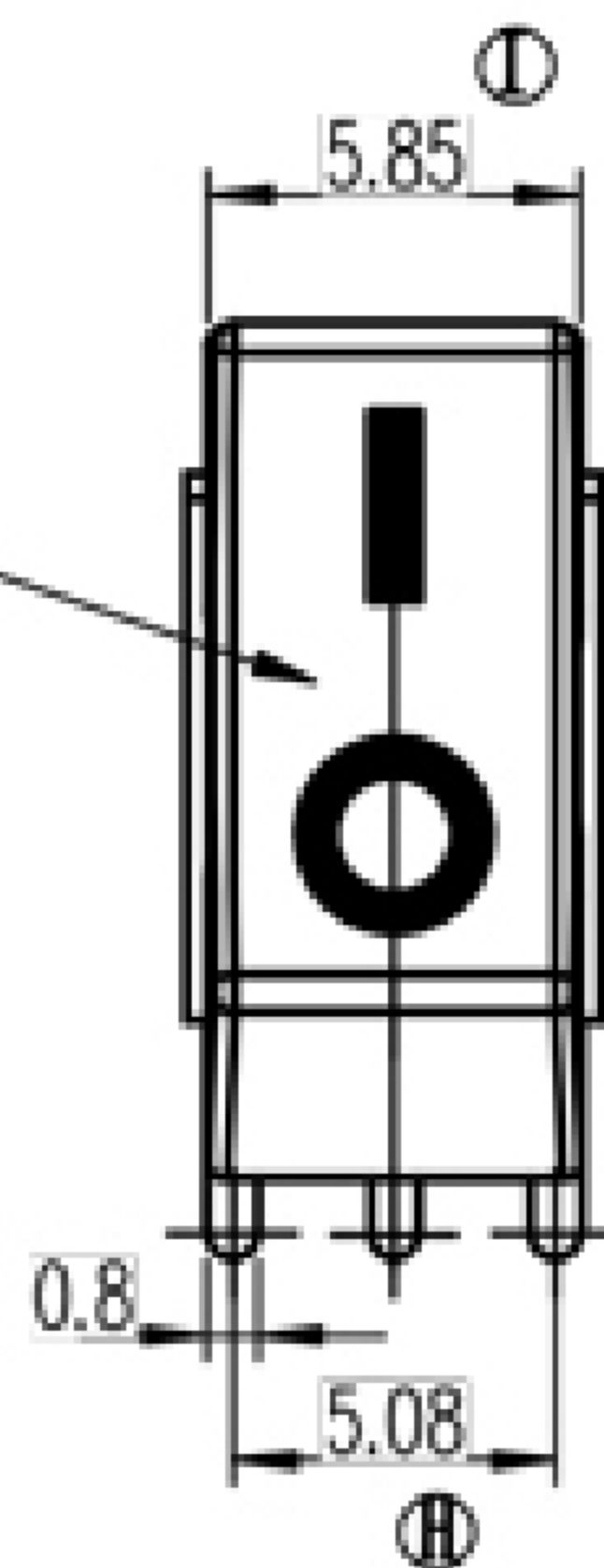
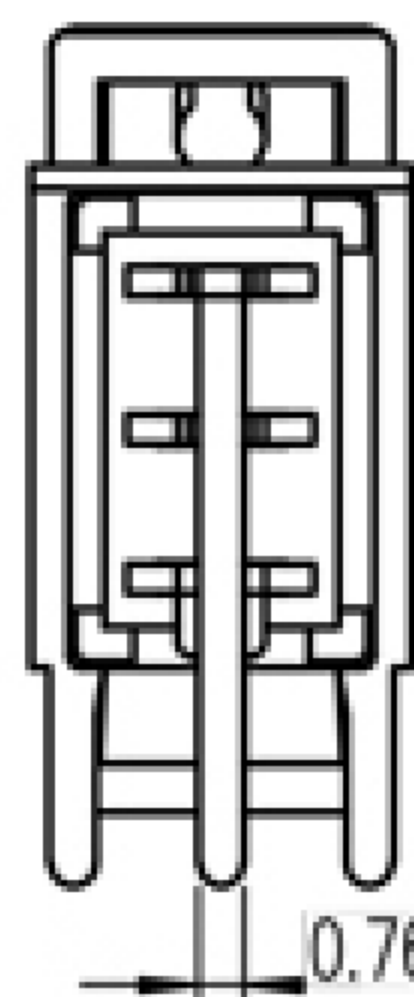


PANEL MOUNTING



注: ①-⑩为重点检验尺寸

翘板白色, 丝印黑色



RECOMMENDED PCB LAYOUT

SWITCH FUNCTION

Model NO.	POS.1	POS.2	POS.3
102	ON	NONE	ON
SCHEMATIC			

SPECIFICATIONS:

CONTACT RATING : 5 AMPS / 120V AC or 28V DC

2 AMPS / 250V AC or 0.4VA AMPS @ 20V AC or DC

20VELECTRICAL LIFE : 50,000 make-and-break cycles at full load.

CONTACT RESISTANCE : 10 mΩ max. initial @ 2-4 VDC

100 mA , for both coin silver and gold plated contacts.

INSULATION RESISTANCE : 1,000 MΩ min

DIELETRIC STRENGTH : 1,000 V RMS @ sea level.

OPERATING TEMPERTURE : -30°C to 130°C

MTAERIALS:

CASE : Dially phthalate (DAP)(UL-94V-0)

ACTUATOR : Brass,chrome plated.

BUSHING : Brass. nickel plated.

HOUSING : Stainless steel.

TERMINAL/CONTACT : Brass , witch silver or gold plated.

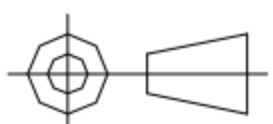
or gold over silver

SWITCH SUPPORT : Brass , tin plated.

广东科斯达电子科技有限公司
GUANG DONG KE SI DA ELECTRONIC TECHNOLOGY CO., LTD.

TOLERANCE UNLESS OTHERWISE STATED:
Up to 5 ±0.2
Above 5 ~ 15 ±0.3
Above 15 ~ 30 ±0.4
Above 30 ~ 50 ±0.5
Angle ±0.3°

3RD. ANGEL'S



UNITS MM

DRAWN BY: Frank Wu
DATE: 11/04/11
CHECKED BY: Jacky Chen
DATE: 11/04/11
APPROVED BY: Tony Kao
DATE: 11/04/11

MAT'L	TITLE	SWITCH
FINISH	MODLE	TOGGLE ROCKER SWITCH
SCALE 1:1	DWG NO.	SIZE A4
SHEET NO. 1 of 1	PART NO.	VER A

ITEM NO.	DESCRIPTION	DRAWN	DATE