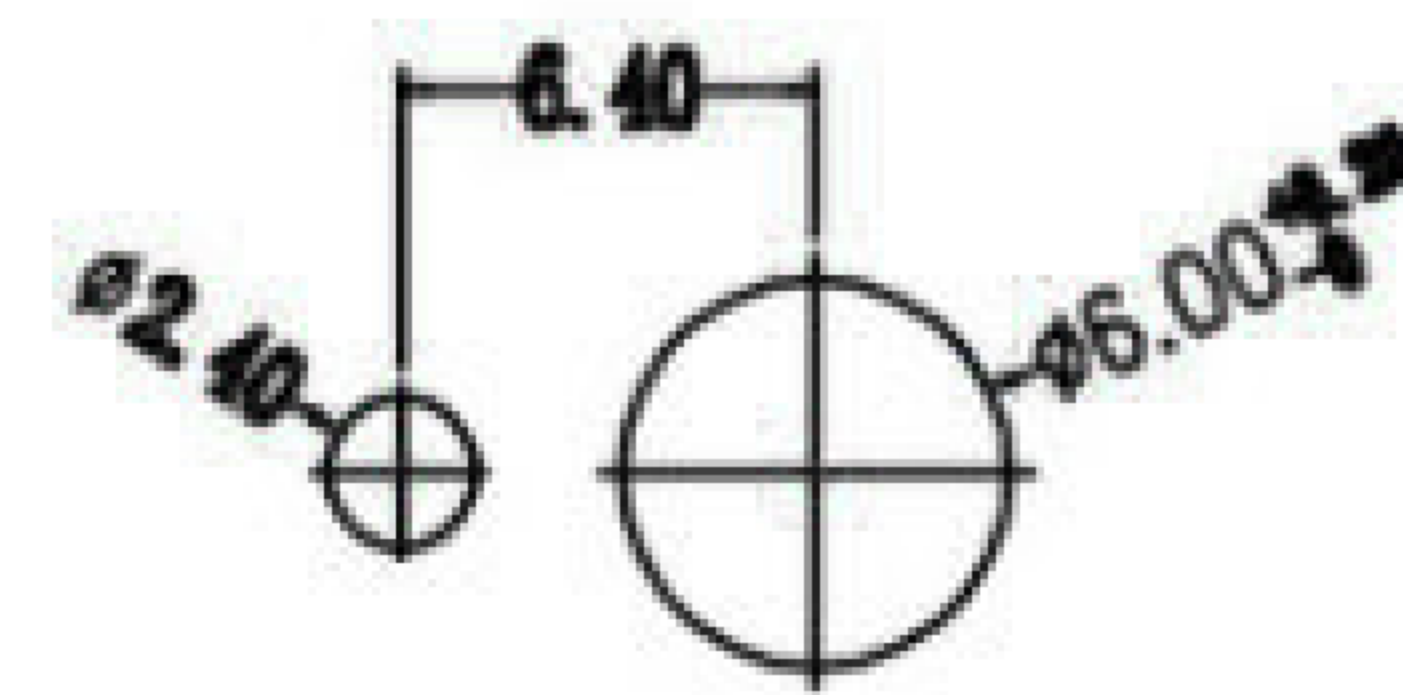
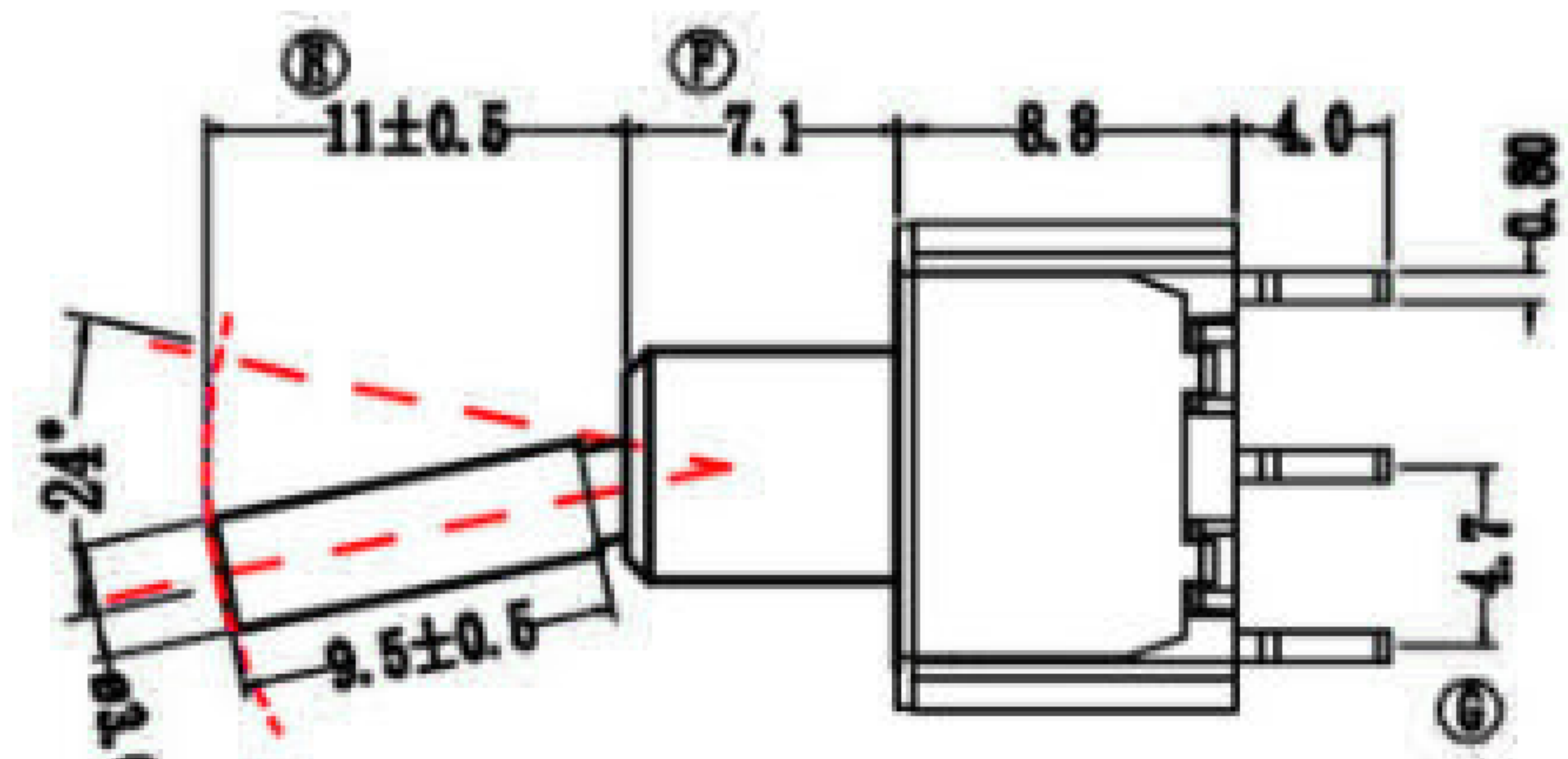
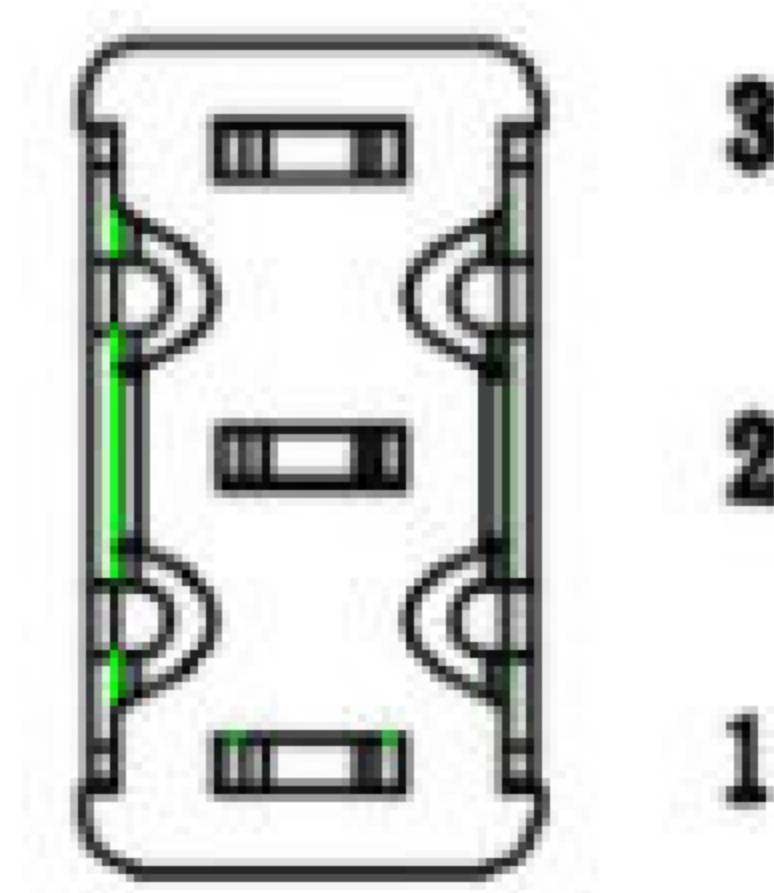


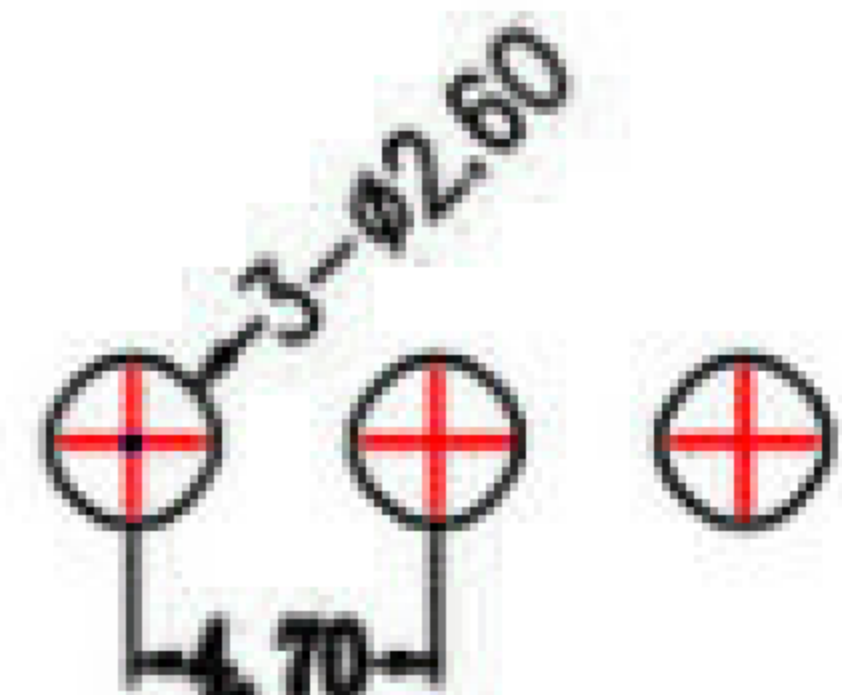
文件编号: SP-9-007



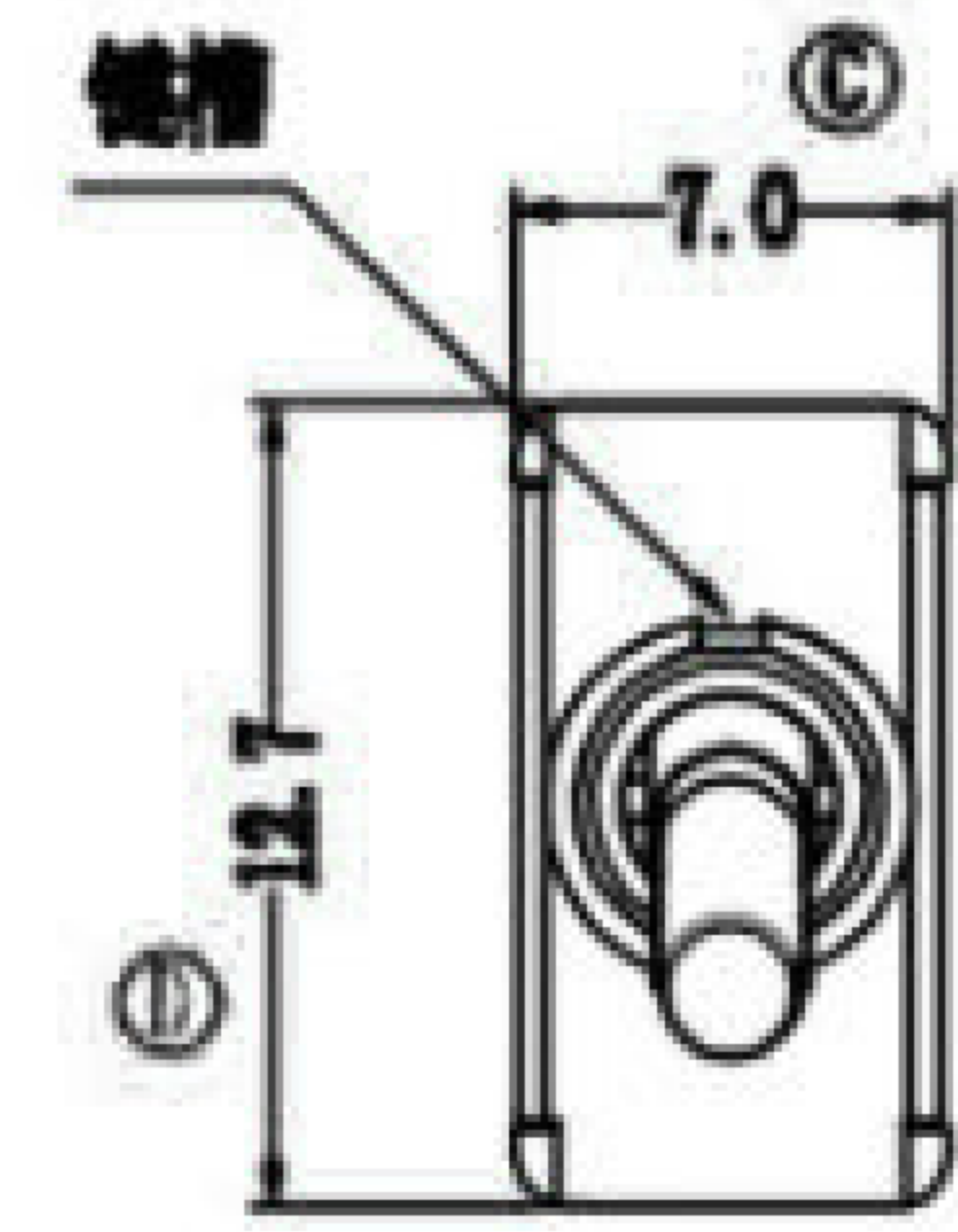
安装孔尺寸



标注: ①-⑥为重点检测尺寸



PCB安装孔尺寸



**SPECIFICATIONS:**

- CONTACT RATING : 5 AMPS / 120V AC or 28V DC  
2 AMPS / 250V AC or 0.4VA AMPS @ 20V AC or DC
- ELECTRICAL LIFE : 50,000 make-and-break cycles at full load.
- CONTACT RESISTANCE : 10 mΩ max. initial @ 2-4 VDC  
100 mA , for both coin silver and gold plated contacts.
- INSULATION RESISTANCE : 1,000 MΩ min
- DIELECTRIC STRENGTH : 1,000 V RMS @ sea level.
- OPERATING TEMPERATURE : -30°C to 130°C

**MTAERIALS:**

- CASE : Dially phthalate (DAP)(UL-94V-0)
- ACTUATOR : Brass,chrome plated.
- BUSHING : Brass. nickel plated.
- HOUSING : Stainless steel.
- TERMINAL/CONTACT : Brass , witch silver or gold plated.  
or gold over silver
- SWITCH SUPPORT : Brass , tin plated.

**广东科斯达电子科技有限公司**  
GUANG DONG KE SI DA ELECTRONIC TECHNOLOGY CO., LTD.

TOLERANCE UNLESS OTHERWISE STATED:	Up to 5 ±0.2	Above 5 ~ 15 ±0.3	Above 15 ~ 30 ±0.4	Above 30 ~ 50 ±0.5	Angle ±0.3°	3RD. ANGEL'S	UNITS	MM
------------------------------------	--------------	-------------------	--------------------	--------------------	-------------	--------------	-------	----

DRAWN BY:	DATE	MAT'L	TITLE	SWITCH
Frank Wu	11/04/11			
CHECKED BY:	DATE	FINISH	MODLE	TOGGLE ROCKER SWITCH
Jacky Chen	11/04/11			
APPROVED BY:	DATE	SCALE	DWG NO.	SIZE
Tony Kao	11/04/11	1 : 1		A4
		SHEET NO.	PART NO.	VER
		1 of 1		A

ITEM NO.	DESCRIPTION	DRAWN	DATE