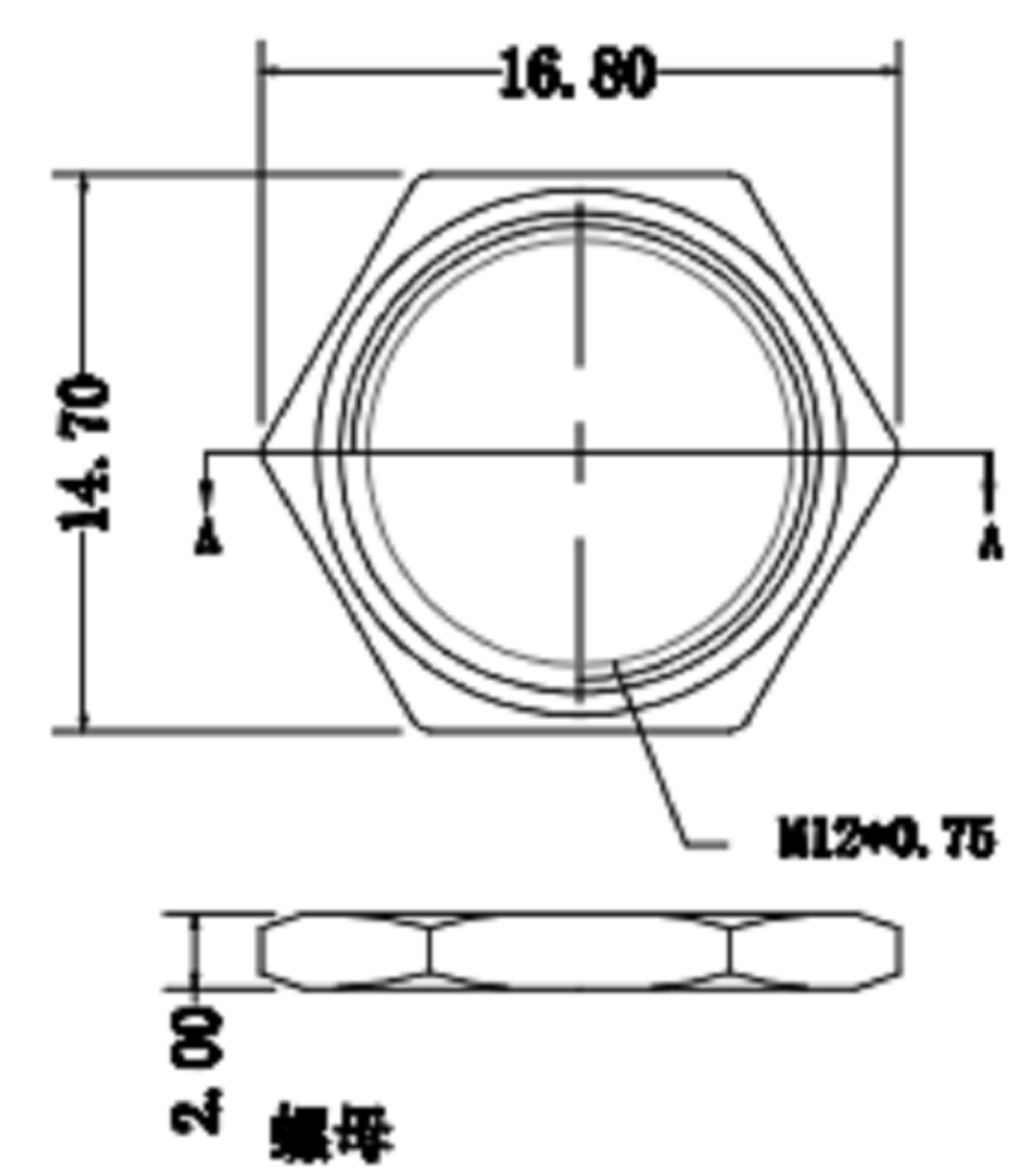
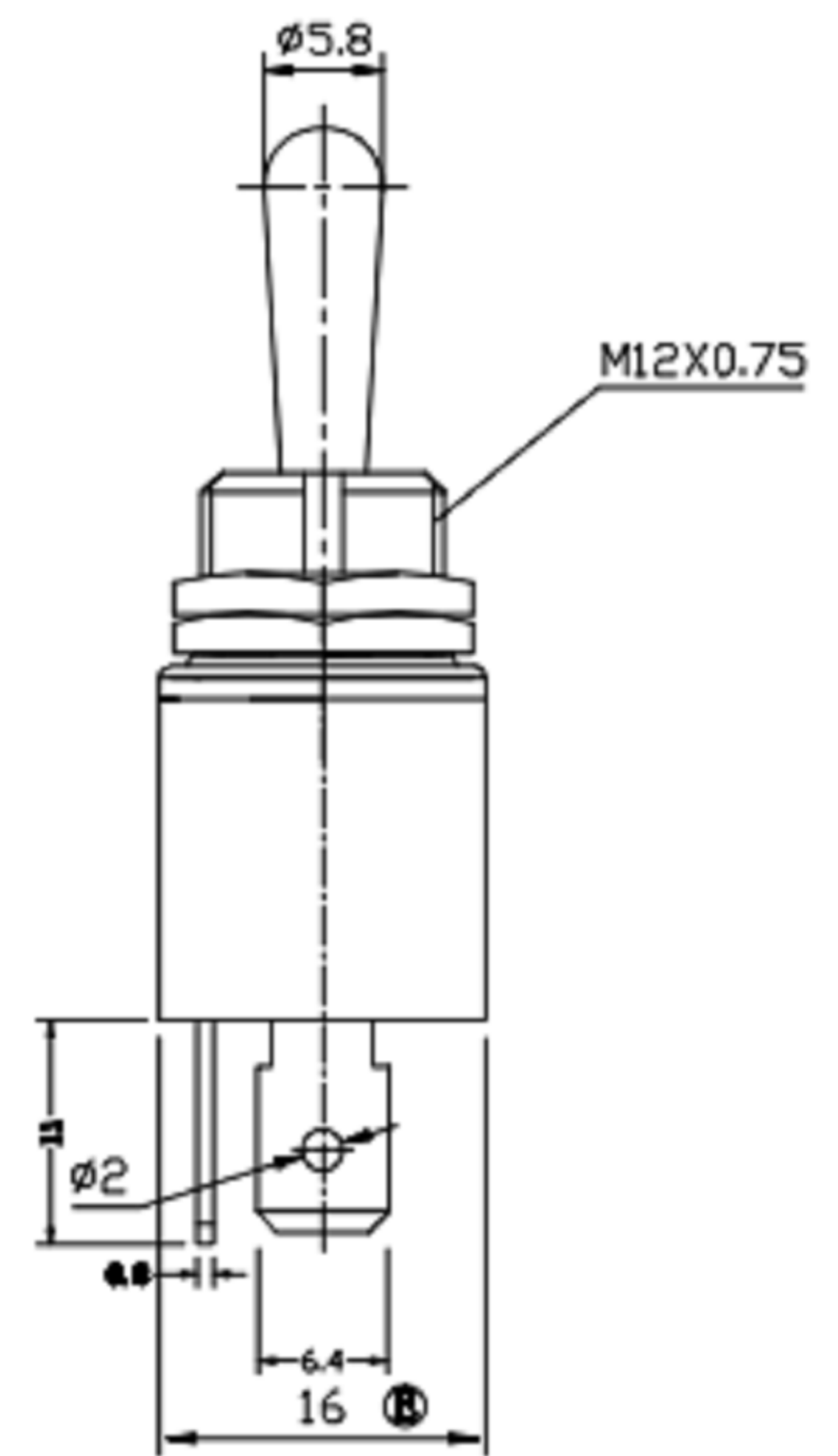
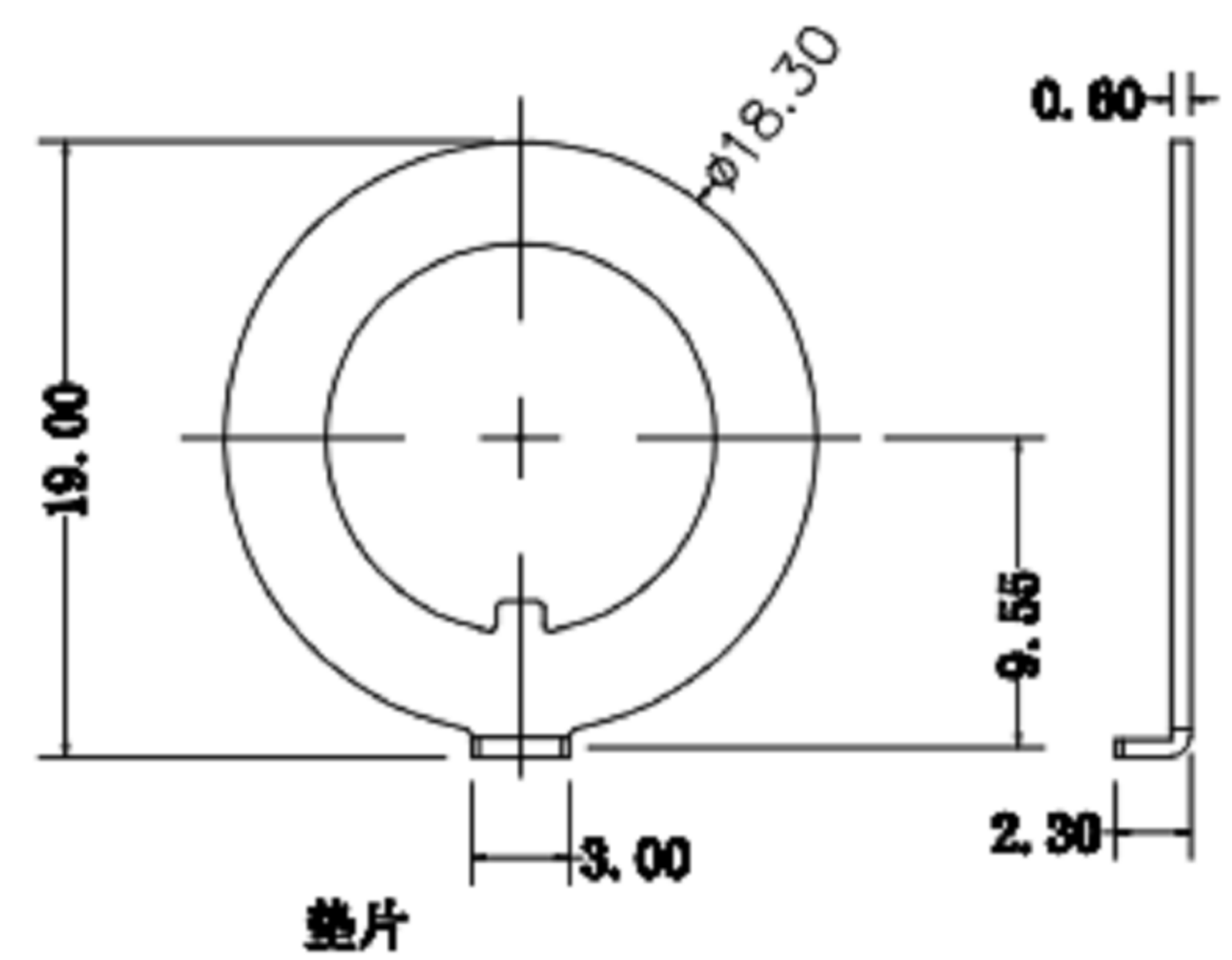


注: ①~③ 为重点检测尺寸

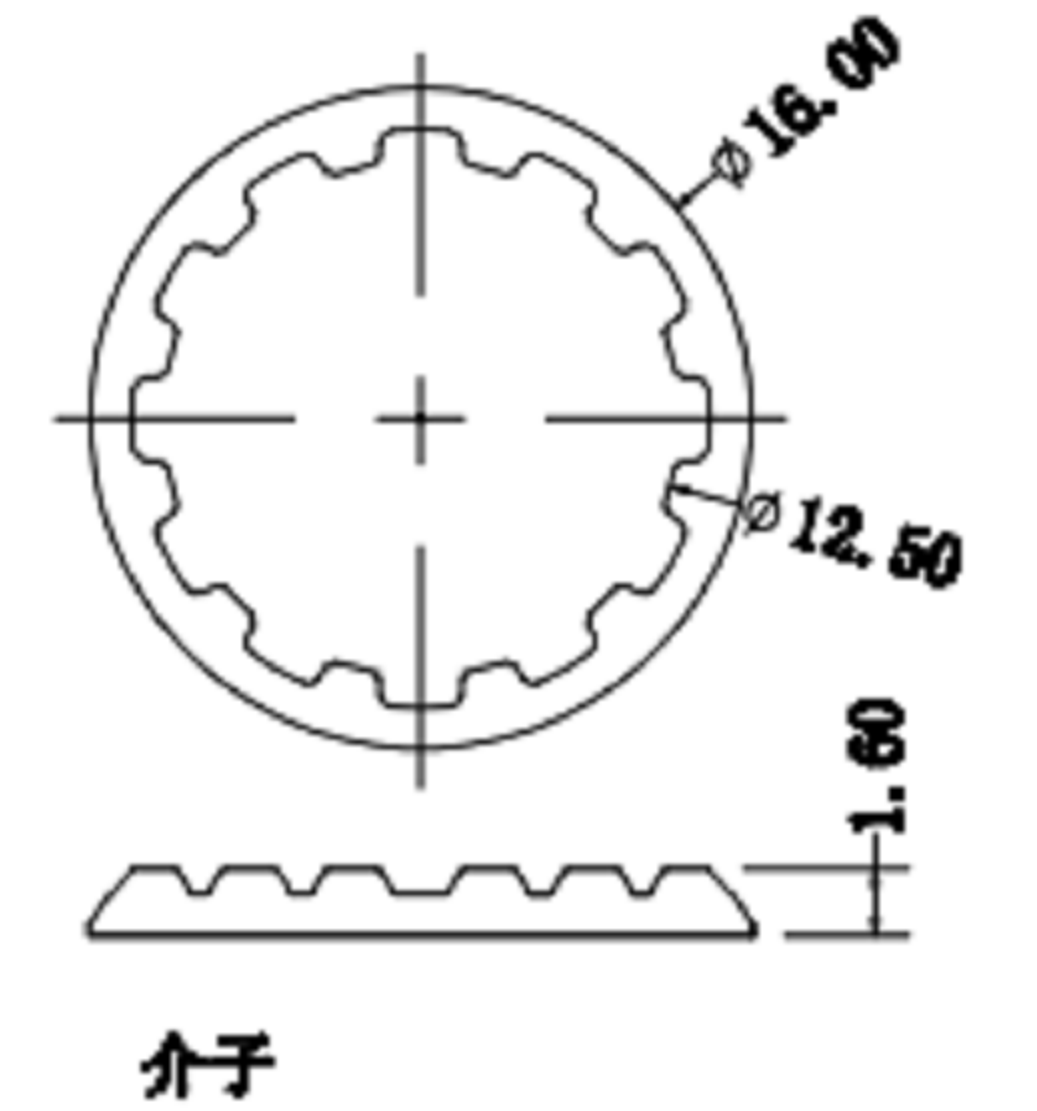


技术特性

- 1、规格: (L) 10A 125VAC; 6A 250VAC
(M) 15A 125VAC; 10A 250VAC
(H) 20A 125VAC; 15A 250VAC
- 2、接触电阻: < 50mΩ
- 3、绝缘电阻: 500VDC不低于1000mΩ
- 4、耐电压: 1500VAC, 1分钟
- 5、工作温度: -25°C~+85°C
- 6、电气寿命: 10,000次以上
- 7、机械寿命: 40,000次以上



垫片



介子

材质

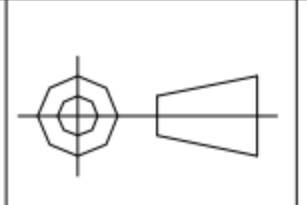
- 基座: 胶木, 黑色
- 摇臂: PA66(UL94V-0), 白色或黑色
- 手柄: 铁, 镀镍或镀铬
- 轴套: 铁, 镀镍
- 铁壳: 铁, 镀镍
- 接触片/端子: 铜合金, 镀银或镀金



TOLERANCE UNLESS OTHERWISE STATED:

Up to 5	±0.2
Above 5 ~ 15	±0.3
Above 15 ~ 30	±0.4
Above 30 ~ 50	±0.5
Angle	±0.3°

3RD. ANGEL'S



UNITS MM

DRAWN BY:	DATE
Frank Wu	11/04/11
CHECKED BY:	DATE
Jacky Chen	11/04/11
APPROVED BY:	DATE
Tony Kao	11/04/11

MAT'L		TITLE	SWITCH
FINISH		MODLE	TOGGLE ROCKER SWITCH
SCALE	1:1	DWG NO.	
SHEET NO.	1 of 1	PART NO.	
		SIZE	A4
		VER	A

ITEM NO.	DESCRIPTION	DRAWN	DATE