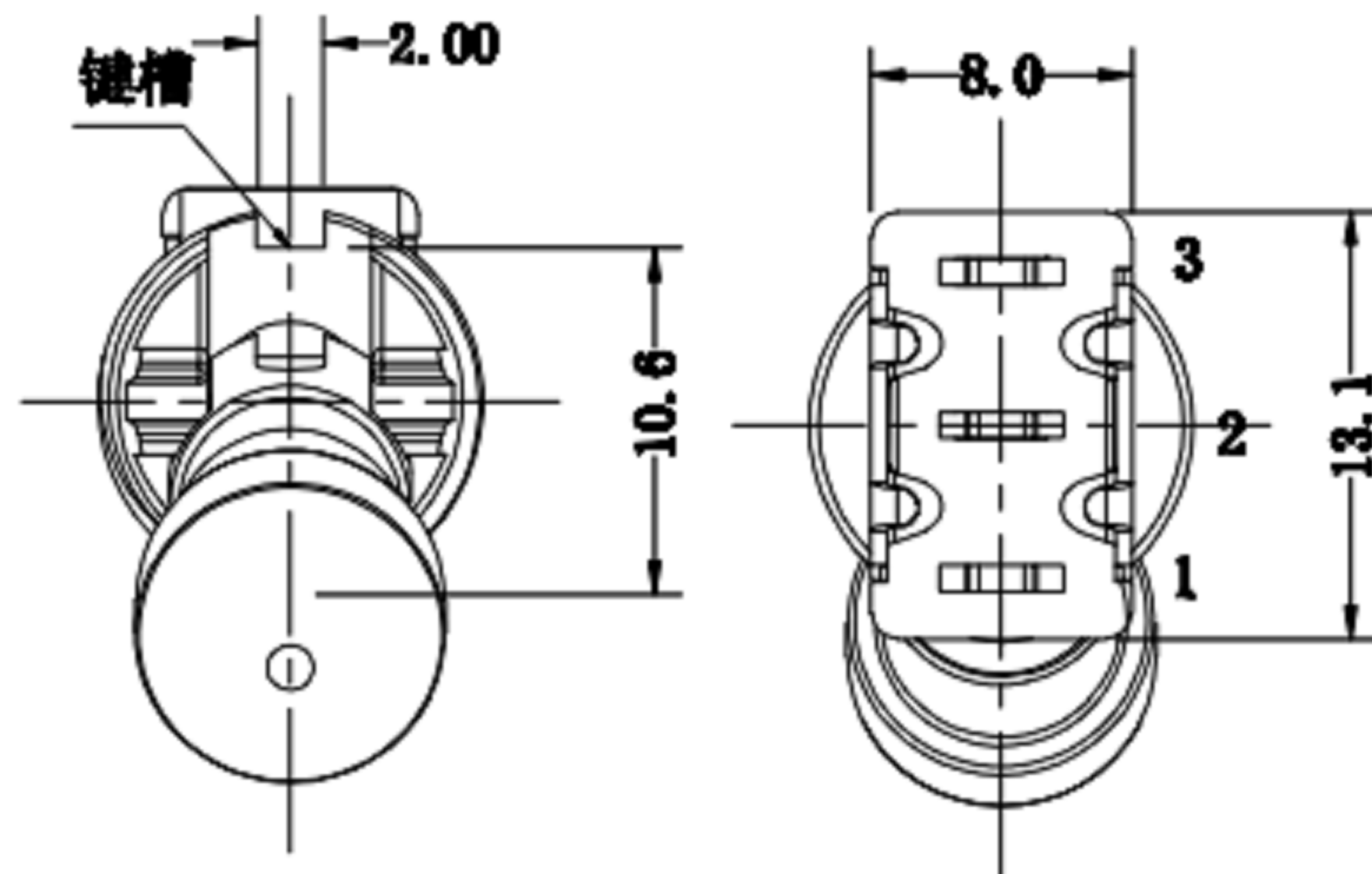


拉起距离最大2.5mm



**SPECIFICATIONS:**

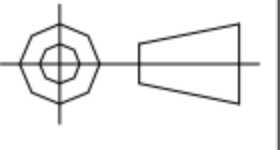
CONTACT RATING : 5 AMPS / 120V AC or 28V DC  
 2 AMPS / 250V AC or 0.4VA AMPS @ 20V AC or DC  
 ELECTRICAL LIFE : 50,000 make-and-break cycles at full load.  
 CONTACT RESISTANCE : 10 mΩ max. initial @ 2-4 VDC  
 100 mA , for both coin silver and gold plated contacts.  
 INSULATION RESISTANCE : 1,000 MΩ min  
 DIELECTRIC STRENGTH : 1,000 V RMS @ sea level.  
 OPERATING TEMPERATURE : -30°C to 130°C

**MATERIALS:**

CASE : Dially phthalate (DAP)(UL-94V-0)  
 ACTUATOR : Brass,chrome plated.  
 BUSHING : Brass, nickel plated.  
 HOUSING : Stainless steel.  
 TERMINAL/CONTACT : Brass , with silver or gold plated.  
 or gold over silver  
 SWITCH SUPPORT : Brass , tin plated.

 **广东科斯达电子科技有限公司**  
**GUANG DONG KE SI DA ELECTRONIC TECHNOLOGY CO., LTD.**

TOLERANCE UNLESS OTHERWISE STATED :  
 Up to 5 ±0.2  
 Above 5 ~ 15 ±0.3  
 Above 15 ~ 30 ±0.4  
 Above 30 ~ 50 ±0.5  
 Angle ±0.3°

3RD. ANGEL'S  UNITS MM

DRAWN BY:	DATE	MAT'L	TITLE	SWITCH
Frank Wu	11/04/11	FINISH	MODLE	TOGGLE ROCKER SWITCH
CHECKED BY:	DATE	SCALE	DWG NO.	SIZE
Jacky Chen	11/04/11	1 : 1	PART NO.	A4
APPROVED BY:	DATE	SHEET NO.		VER
Tony Kao	11/04/11	1 of 1		A

ITEM NO.	DESCRIPTION	DRAWN	DATE