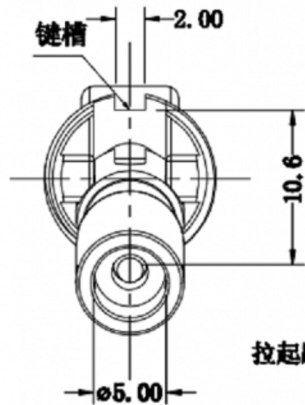
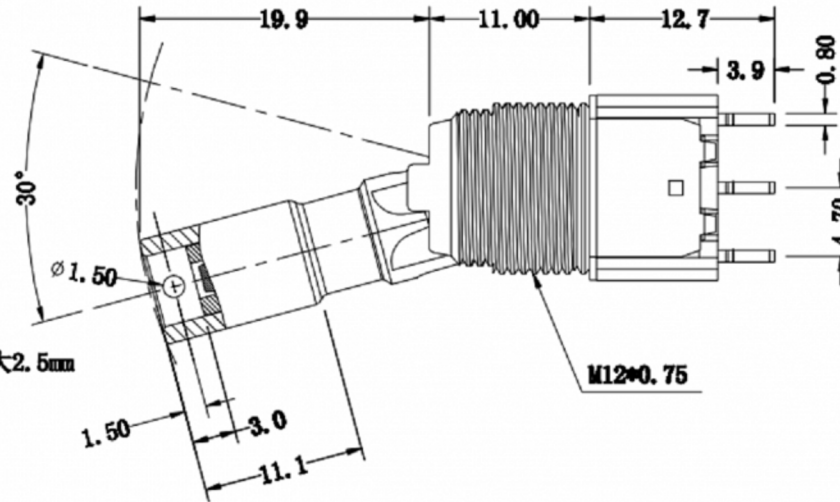


手柄位置及导通端子示意图

Model NO.	POS. 1	POS. 2	POS. 3
102	ON 	NONE	ON
SCHEMATIC		N/A	



拉起距离最大2.5mm



SPECIFICATIONS:

CONTACT RATING : 5 AMPS / 120V AC or 28V DC

2 AMPS / 250V AC or 0.4VA AMPS @ 20V AC or DC

20VELECTRICAL LIFE : 50,000 make-and-break cycles at full load.

CONTACT RESISTANCE : 10 mΩ max. initial @ 2-4 VDC

100 mA , for both coin silver and gold plated contacts.

INSULATION RESISTANCE : 1,000 MΩ min

DIELECTRIC STRENGTH : 1,000 V RMS @ sea level.

OPERATING TEMPERTURE : -30°C to 130°C

MTAERIALS:

CASE : Dially phthalate (DAP)(UL-94V-0)

ACTUATOR : Brass,chrome plated.

BUSHING : Brass, nickel plated.

HOUSING : Stainless steel.

TERMINAL/CONTACT : Brass , witch silver or gold plated.

or gold over silver

SWITCH SUPPORT : Brass , tin plated.

广东科斯达电子科技有限公司
GUANG DONG KE SI DA ELECTRONIC TECHNOLOGY CO., LTD.

TOLERANCE UNLESS OTHERWISE STATED :
Up to 5 ±0.2
Above 5 ~ 15 ±0.3
Above 15 ~ 30 ±0.4
Above 30 ~ 50 ±0.5
Angle ±0.3°

3RD. ANGEL'S



UNITS

MM

DRAWN BY: Frank Wu
CHECKED BY: Jacky Chen
APPROVED BY: Tony Kao

DATE: 11/04/11
DATE: 11/04/11
DATE: 11/04/11

MAT'L		TITLE	SWITCH
FINISH		MODLE	TOGGLE ROCKER SWITCH
SCALE	1 : 1	DWG NO.	
SHEET NO.	1 of 1	PART NO.	
			SIZE A4
			VER A

ITEM NO. DESCRIPTION DRAWN DATE