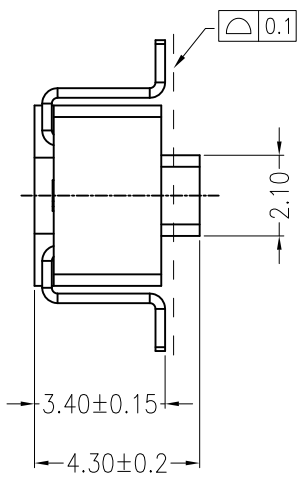
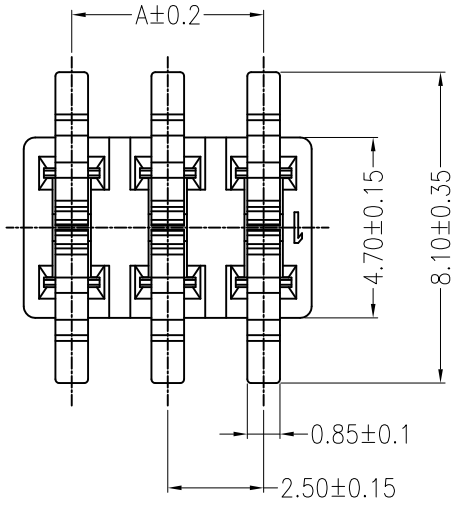
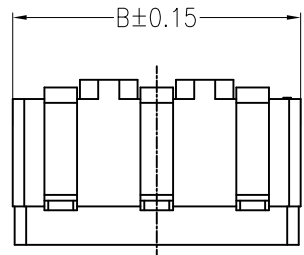


A | B | C | D | E | F

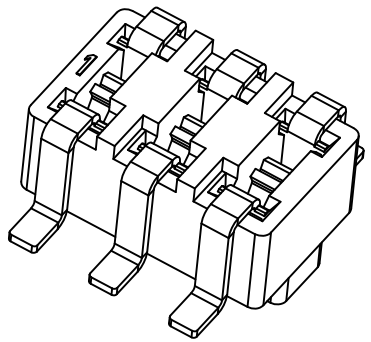
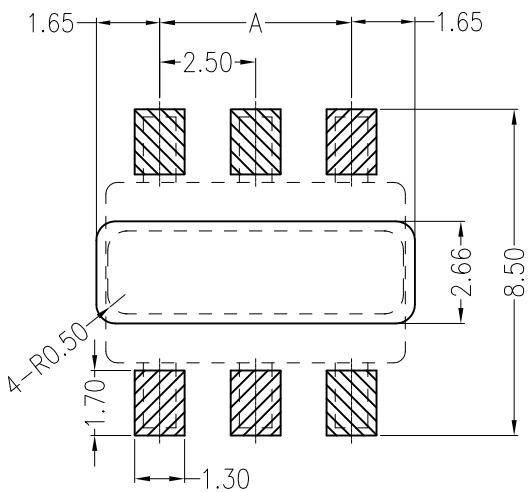
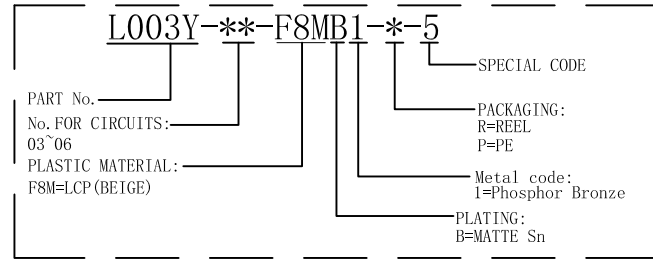
REV	DESCRIPTION	DESIGN	DATE
A0	NEW RELEASE	Lingqing	2020/04/25



**Specifications:**  
 Contact resistance:  $\leq 20m\Omega$   
 Insulation resistance:  $\geq 1000M\Omega$   
 Rated voltage: 250V AC DC  
 Rated current: 1.0A AC DC  
 Withstand Voltage: 1000V AC/minute  
 Temperature Range:  $-40^{\circ}C \sim +120^{\circ}C$   
 Housing: LCP UL94V-0, Natural  
 Contacts: Phosphor Bronze/Matte Sn-plated



**ORDER INFORMATION:**



PIN	DIM A	DIM B
3	5.00	7.50
4	7.50	10.00
5	10.0	12.50
6	12.50	15.00

<b>广东科斯达电子科技有限公司</b> GUANG DONG KE SI DA ELECTRONIC TECHNOLOGY CO., LTD.		TITLE:	
		2.5mmPITCH 180°WAFER SMT TYPE	
GENERAL TOLERANCE		USE:	PART NO.:
X. ±0.50	X. ±5'	CUSTOMER	L003Y-**-F8MB1-*-5
X.X ±0.30	X.X ±2'	APPD: WangLiang	DWG NO.:
X.XX ±0.20	X.XX ±1'	CHKD: Steven	GCKH-2078
UNITS: mm	DR: Zenglingqing	SCALE	SHEET
		1 : 1	1 / 1

A | B | C | D | E | F