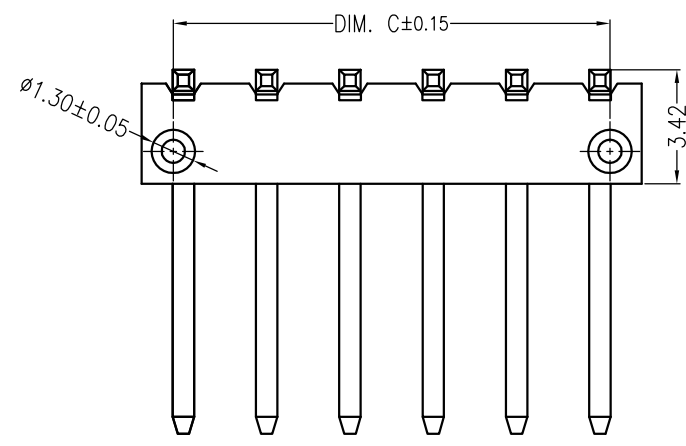
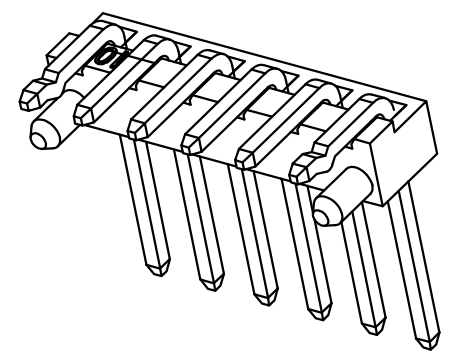
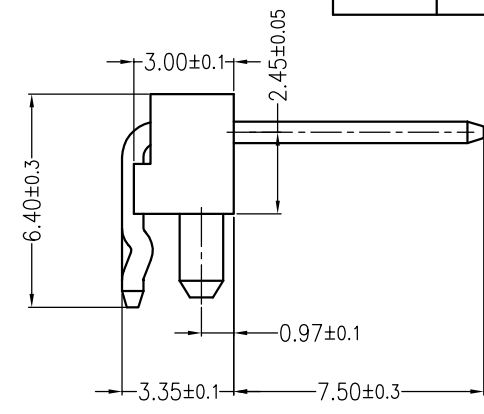
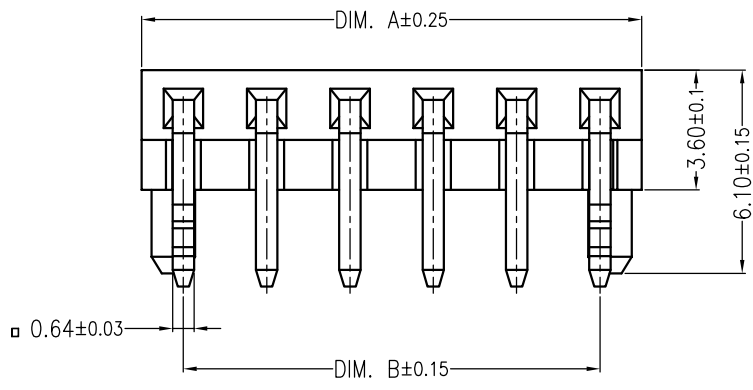


REV	DESCRIPTION	DESIGN	DATE
A0	Release	吴丹平	2016.05.03



Circuit	Dimensions (mm)		
	DIM. A	DIM. B	DIM. C
02	5.00	2.50	3.10
03	7.50	5.00	5.60
04	10.00	7.50	8.10
05	12.50	10.00	10.60
06	15.00	12.50	13.10

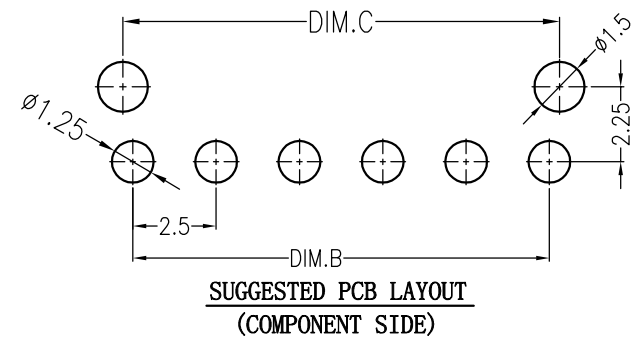
### 主要技术参数 Main Specifications

- 接触电阻 (Contact resistance):  $\leq 20m\Omega$
- 绝缘电阻 (Insulation resistance):  $\geq 1000M\Omega$
- 额定电压 (Rated voltage): 125V AC DC
- 额定电流 (Rated current): 1.0A AC DC
- 耐电压 (Withstand Voltage): 1000V AC/minute
- 温度范围 (Temperature Range):  $-40^{\circ}C \sim +130^{\circ}C$

### ORDER INFORMATION:

**L017A-\*\*-F2MA-P-A**

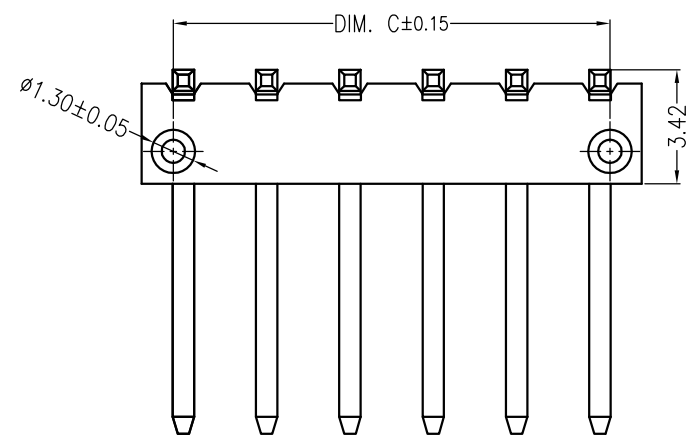
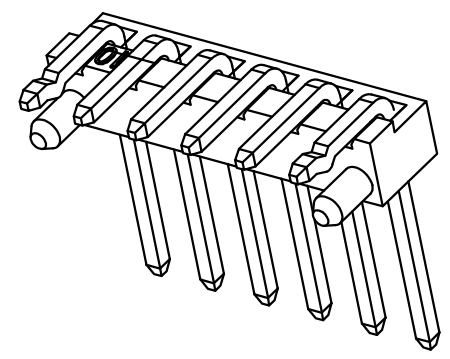
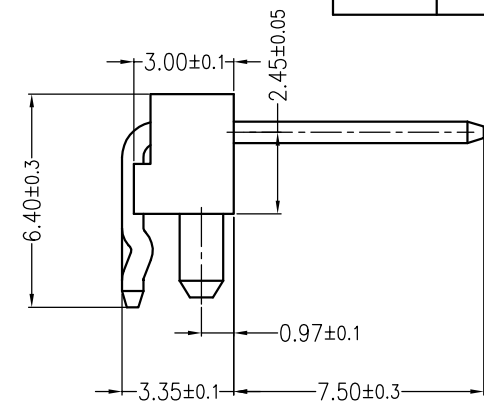
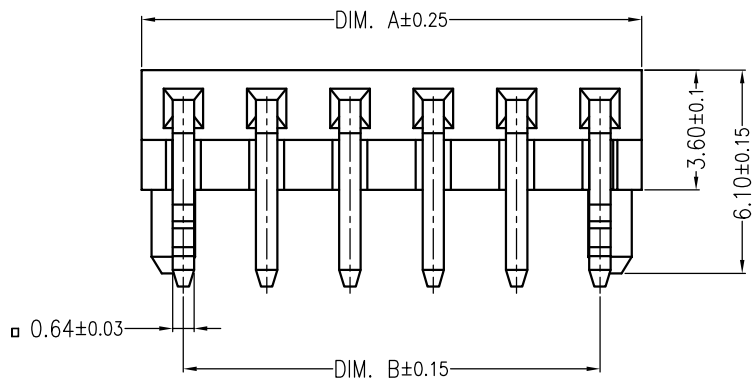
PART No.:		SPECIAL CODE:	
No. FOR CIRCUITS:		A=针外露7.5	
02~06		PACKAGING:	P=PE
PLASTIC MATERIAL:		PLATING:	A=Sn
F2M=LCP (BEIGE)			



ITEM	COMPONENT	Q'TY	MATERIAL	FINISH
C				
B	CONTACT	6 PCS	Brass	Sn-plated
A	PEDESTAL	1 PCS	LCP	UL 94V-0, COLOR:BEIGE

<b>广东科斯达电子科技有限公司</b> GUANG DONG KE SI DA ELECTRONIC TECHNOLOGY CO., LTD.		TITLE: -	
		2.5mmPITCH 90°WAFER SMT TYPE	
X.±0.5	X.±5'	USE: CUSTOMER	PART NO.:
.X±0.3	.X±2'		L017A-**-F2MA-P-A
.XX±0.25	.XX±1'	APPD: 邵敬和	DWG NO.:
--	--	CHKD: 田峰	GCCP-0033
UNITS: mm	DR: 吴丹平	SCALE	SHEET
			1 : 1

REV	DESCRIPTION	DESIGN	DATE
A0	Release	吴丹平	2016.05.03



Circuit	Dimensions (mm)		
	DIM. A	DIM. B	DIM. C
02	5.00	2.50	3.10
03	7.50	5.00	5.60
04	10.00	7.50	8.10
05	12.50	10.00	10.60
06	15.00	12.50	13.10

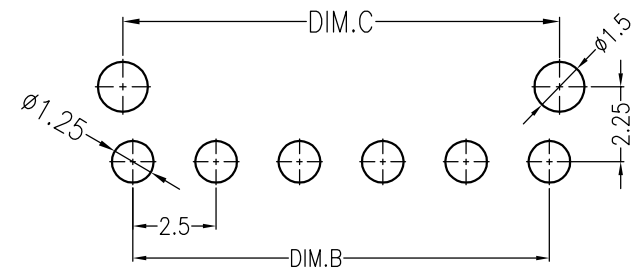
### 主要技术参数 Main Specifications

- 接触电阻 (Contact resistance):  $\leq 20m\Omega$
- 绝缘电阻 (Insulation resistance):  $\geq 1000M\Omega$
- 额定电压 (Rated voltage): 125V AC DC
- 额定电流 (Rated current): 1.0A AC DC
- 耐电压 (Withstand Voltage): 1000V AC/minute
- 温度范围 (Temperature Range):  $-40^{\circ}C \sim +130^{\circ}C$

### ORDER INFORMATION:

**L017A-\*\*-F2MA-P-A**

PART No.:		SPECIAL CODE:	A=针外露7.5
No. FOR CIRCUITS:		PACKAGING:	P=PE
02~06		PLATING:	A=Sn
PLASTIC MATERIAL:			
F2M=LCP (BEIGE)			

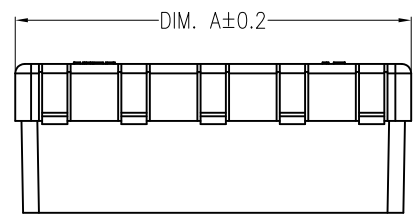
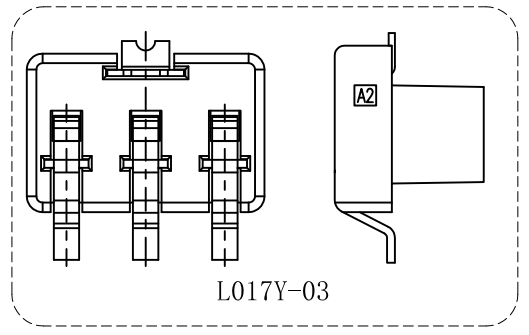
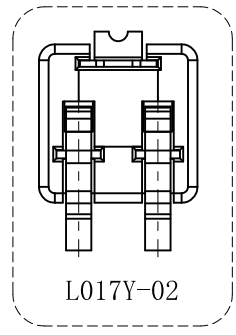
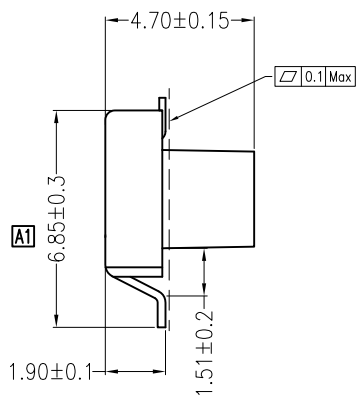
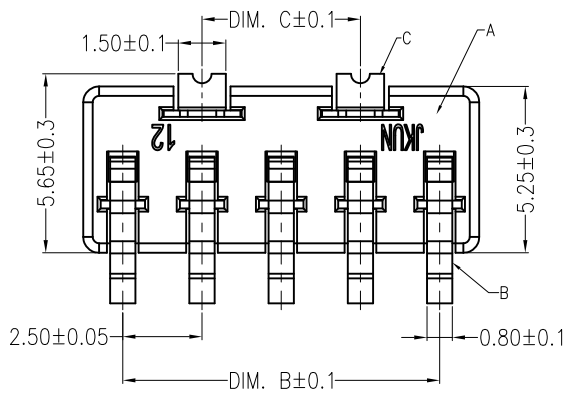


**SUGGESTED PCB LAYOUT  
(COMPONENT SIDE)**

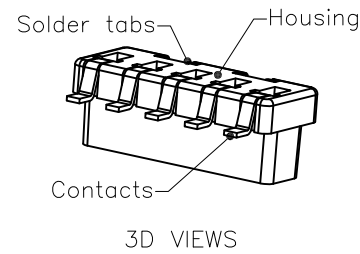
ITEM	COMPONENT	Q'TY	MATERIAL	FINISH
C				
B	CONTACT	6 PCS	Brass	Sn-plated
A	PEDESTAL	1 PCS	LCP	UL 94V-0, COLOR:BEIGE

<b>广东科斯达电子科技有限公司</b> GUANG DONG KE SI DA ELECTRONIC TECHNOLOGY CO., LTD.		<b>TITLE: -</b> 2.5mmPITCH 90°WAFER SMT TYPE	
X.±0.5	X.±5'	<b>USE:</b> CUSTOMER	<b>PART NO.:</b> L017A-**-F2MA-P-A
.X±0.3	.X±2'		
.XX±0.25	.XX±1'	<b>CHKD:</b> 田峰	<b>DWG NO.:</b> GCCP-0033
--	--		
<b>UNITS:</b> mm		<b>SHEET</b> 1 / 1	

REV	DESCRIPTION	DESIGN	DATE
A0	NEW RELEASE	Wudanping	2016/04/30
A1	Change the size	Jiangjianyin	2018/05/25
A2	Change the position of 3 holes LOGO	Fangsongle	2020/07/08

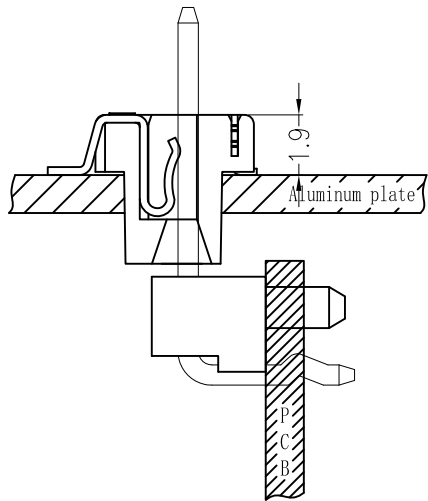
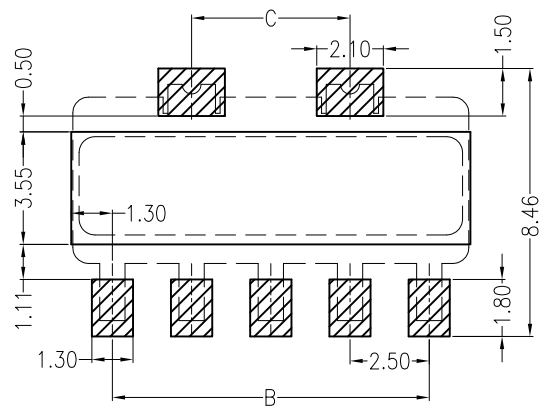


Circuit	Dimensions (mm)		
	DIM. A	DIM. B	DIM. C
L017Y-02	5.00	2.50	
L017Y-03	7.50	5.00	
L017Y-04	10.00	7.50	5.00
L017Y-05	12.50	10.00	5.00
L017Y-06	15.00	12.50	5.00

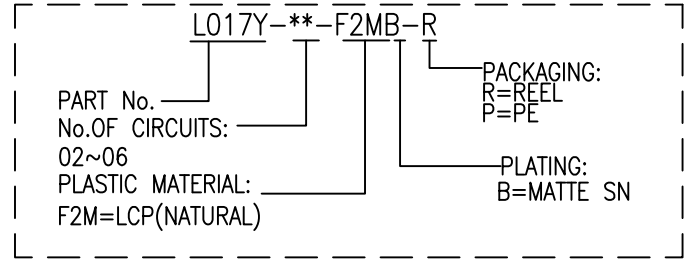


**Specifications:**

- Contact resistance: ≤20mΩ
- Insulation resistance: ≥1000MΩ
- Rated voltage: 125V AC DC
- Rated current: 1.0A AC DC
- Withstand voltage: 1000V AC/minute
- Temperature range: -40°C ~ +130°C
- Housing: LCP UL94V-0, Natural
- Contacts: Phosphor bronze/Matte Sn
- Solder tabs: Phosphor bronze/Matte Sn



**ORDER INFORMATION:**



<b>广东科斯达电子科技有限公司</b> GUANG DONG KE SI DA ELECTRONIC TECHNOLOGY CO., LTD.		TITLE: 2.5mmPITCH 180°WAFER SMT TYPE	
GENERAL TOLERANCE X. ±0.50 X. ±5° X.X ±0.30 X.X ±2° X.XX ±0.20 X.XX ±1°		USE: CUSTOMER APPD: Shaojinghe CHKD: Zenglingqing DR: Jiangjianyin	
UNITS: mm		PART NO.: L017Y-**-F2MB-R DWG NO.: GCKH-0034	
		SCALE 1 : 1	SHEET 1 / 1