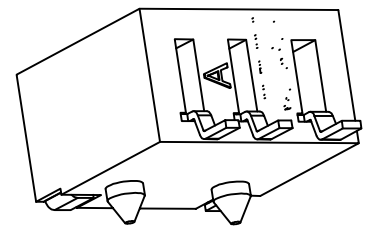
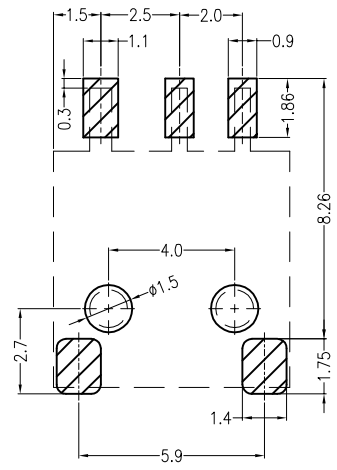
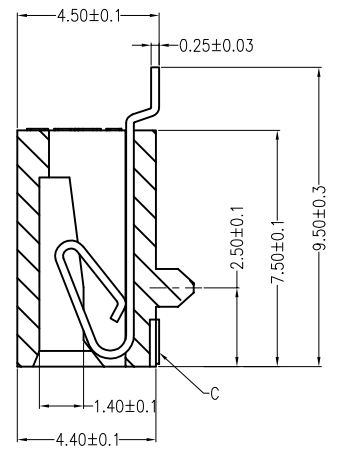
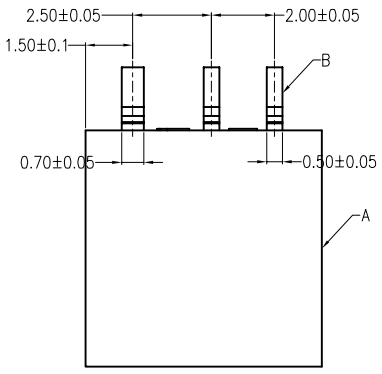


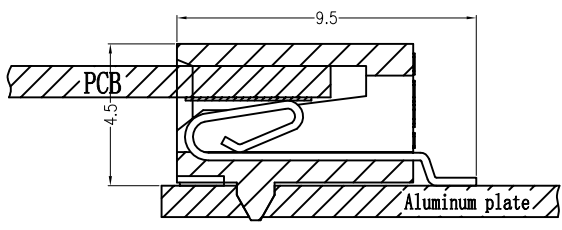
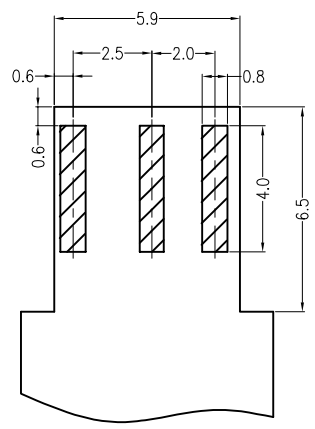
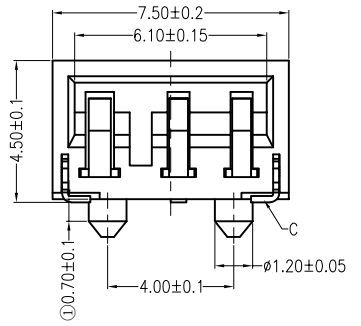
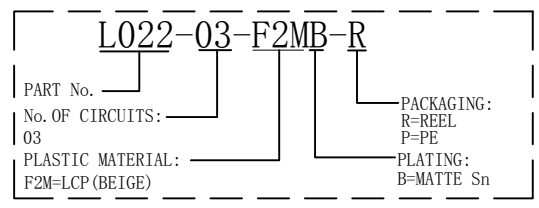
| REV | DESCRIPTION | DESIGN | DATE |
|-----|-------------|--------|------------|
| A0 | Release | 吴丹平 | 2016.04.30 |



主要技术参数 Main Specifications

- 板厚 (thickness): 1.0mm
- 接触电阻 (Contact resistance): $\leq 20m\Omega$
- 绝缘电阻 (Insulation resistance): $\geq 800M\Omega$
- 额定电压 (Rated voltage): 250/150V AC DC
- 额定电流 (Rated current): 1.0A AC DC
- 耐电压 (Withstand Voltage): 1500V AC/minute
- 温度范围 (Temperature Range): $-25^{\circ}C \sim +105^{\circ}C$

ORDER INFORMATION:



Assembly Layout

Mating Aluminum plate detail

| C | Solder Tab | 2 PCS | PhosphorBronze | MATTE Sn-plated |
|------|------------|-------|----------------|-----------------------|
| B | CONTACT | 3 PCS | PhosphorBronze | MATTE Sn-plated |
| A | PEDESTAL | 1 PCS | LCP | UL 94V-0, COLOR:BEIGE |
| ITEM | COMPONENT | Q'TY | MATERIAL | FINISH |

广东科斯达电子科技有限公司
GUANG DONG KE SI DA ELECTRONIC TECHNOLOGY CO., LTD.

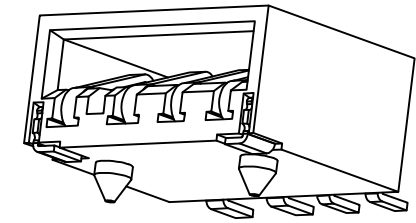
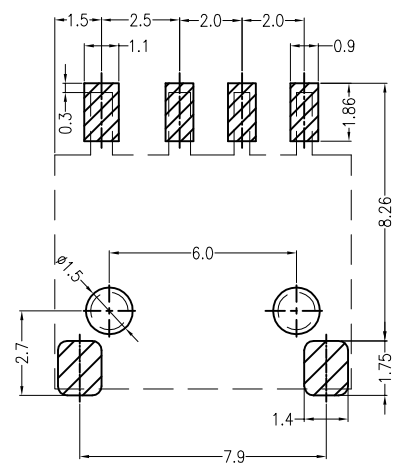
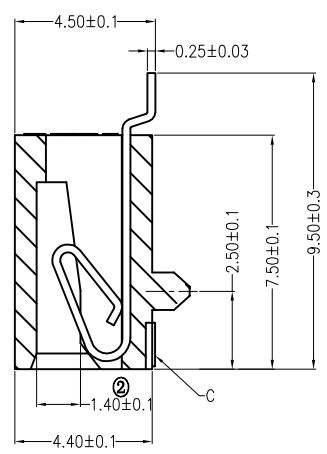
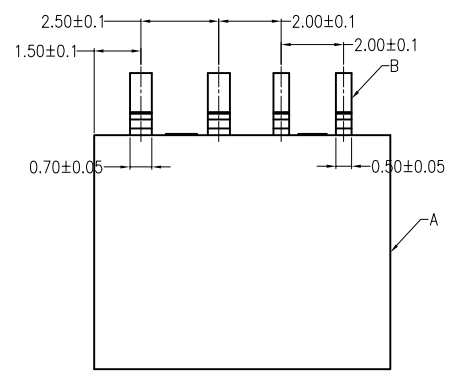
TITLE: -
2.5 2.0mmPITCH 90°WAFER SMT TYPE

USE: CUSTOMER
 APPD: 邵敬和
 CHKD: 田峰
 DR: 蒋建银

PART NO.: L022-03-F2MB-R
 DWG NO.: GCCP-0041

SCALE: 1 : 1
 SHEET: 1 / 1

| REV | DESCRIPTION | DESIGN | DATE |
|-----|-------------|--------|------------|
| A0 | Release | 吴丹平 | 2016.04.30 |

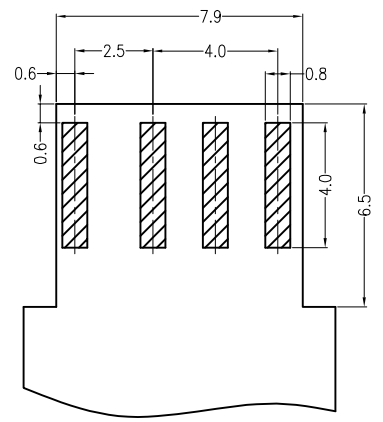
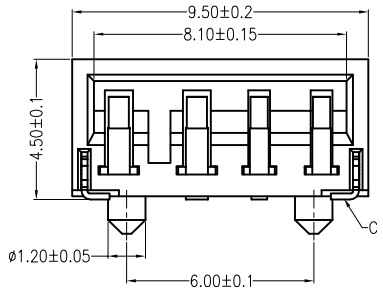
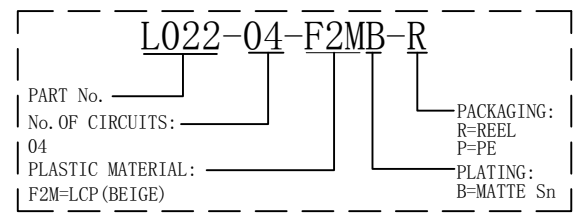


Board Layout

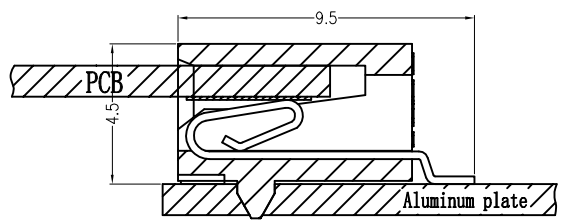
主要技术参数 Main Specifications

- 板厚 (thickness): 1.0mm
- 接触电阻 (Contact resistance): $\leq 20m\Omega$
- 绝缘电阻 (Insulation resistance): $\geq 800M\Omega$
- 额定电压 (Rated voltage): 250/150V AC DC
- 额定电流 (Rated current): 1.0A AC DC
- 耐电压 (Withstand Voltage): 1500V AC/minute
- 温度范围 (Temperature Range): $-25^{\circ}C \sim +105^{\circ}C$

ORDER INFORMATION:




Mating Aluminum plate detail



Assembly Layout

| | | | | |
|------|------------|-------|----------------|-----------------------|
| C | Solder Tab | 2 PCS | PhosphorBronze | MATTE Sn-plated |
| B | CONTACT | 4 PCS | PhosphorBronze | MATTE Sn-plated |
| A | PEDESTAL | 1 PCS | LCP | UL 94V-0, COLOR:BEIGE |
| ITEM | COMPONENT | Q'TY | MATERIAL | FINISH |


广东科斯达电子科技有限公司
 GUANG DONG KE SI DA ELECTRONIC TECHNOLOGY CO., LTD.

TITLE: -
 2.5/2.0mmPITCH 90°WAFER SMT TYPE

X.±0.5 X.±5° USE: CUSTOMER
 .X±0.3 .X±2° APPD: 邵敬和
 .XX±0.25 .XX±1° CHKD: 田峰
 --- --- DR: 周秀龙

PART NO.: L022-04-F2MB-R
 DWG NO.: GCCP-0080
 SCALE: 1 : 1 SHEET: 1 / 1