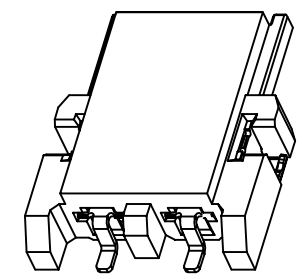
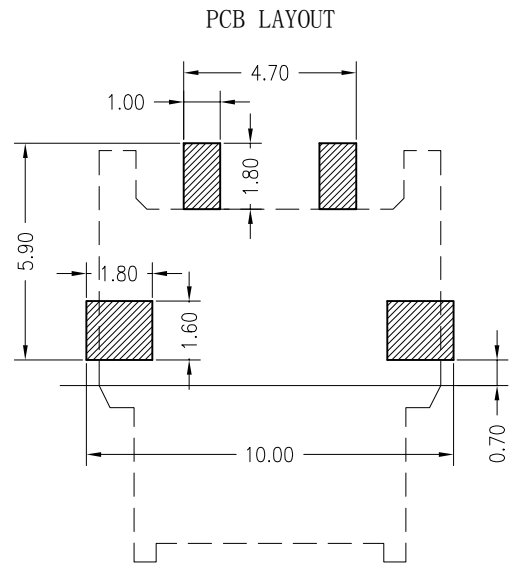
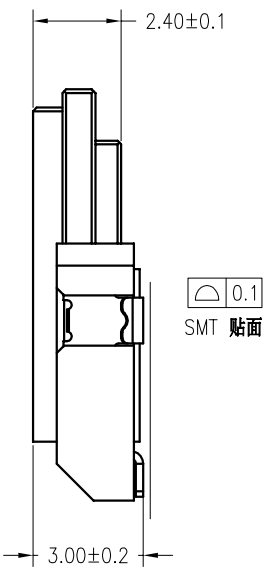
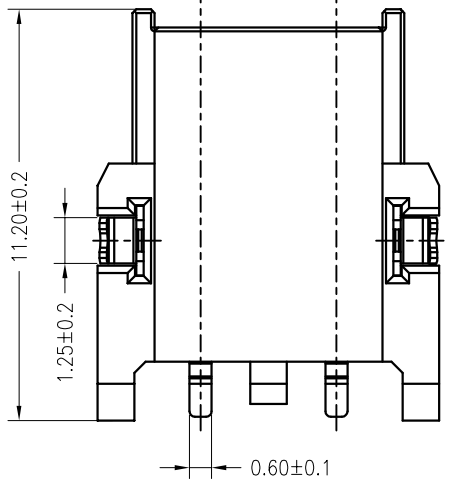
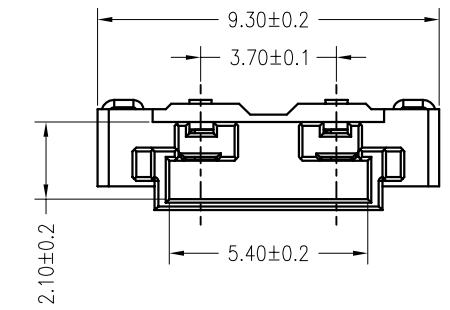


REV	ECN No.	DESCRIPTION	DESIGN	DATE
A0		Release	蒋建银	2017.09.22

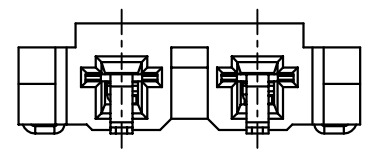


主要技术参数 Main Specifications

- 线 数 (Poles): 02
- 接触电阻 (Contact resistance): $\leq 30m\Omega$
- 绝缘电阻 (Insulation resistance): $\geq 1000M\Omega$
- 额定电压 (Rated voltage): 500V AC DC
- 额定电流 (Rated current): 2A AC DC
- 耐 电压 (Withstand Voltage): 1500V AC/minute
- 温度范围 (Temperature Range): $-40^{\circ}C \sim +85^{\circ}C$

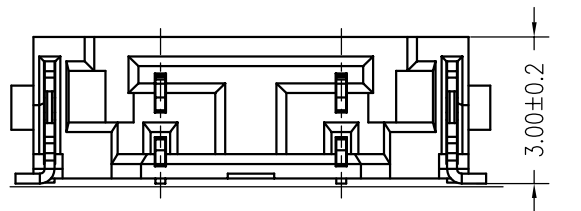
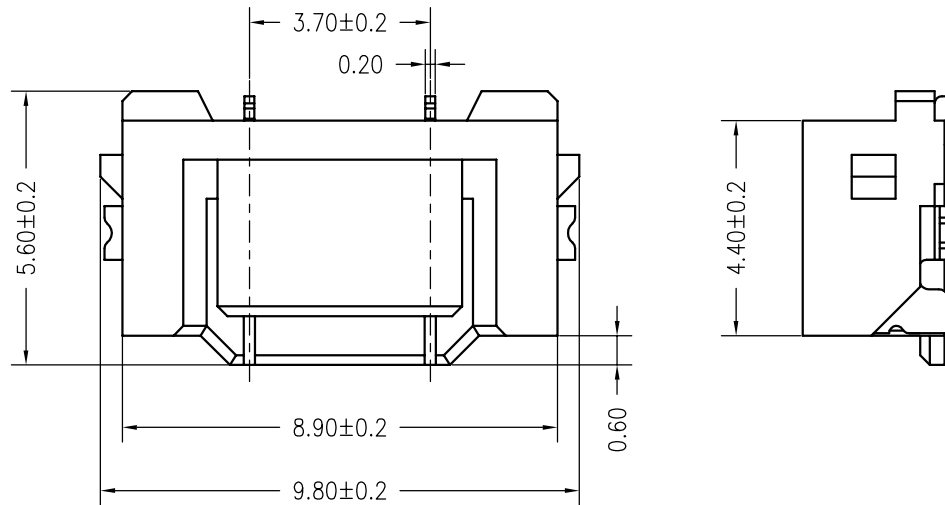
ORDER INFORMATION:

B3701P-02-F4MB1-R	
PART No.:	PACKAGING:
No.OF CIRCUITS:	B=BEEL
PLASTIC MATERIAL:	1=PhosphorBronze
F4M=LCP(BEIGE)	PLATING:
	B=MATTE Sn



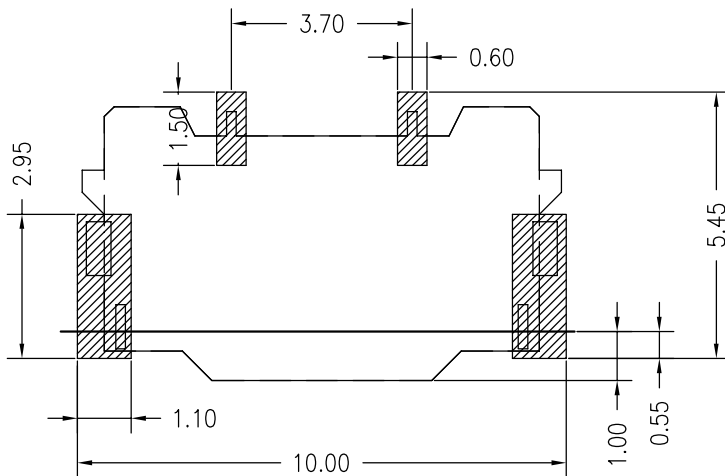
C	COLDER TAB	2 PCS	PhosphorBronze	MATTE Sn
B	CONTACT	2 PCS	PhosphorBronze	MATTE Sn
A	HOUSING	1 PCS	LCP	UL 94V-0, COLOR:BEIGE
ITEM	COMPONENT	Q'TY	MATERIAL	FINISH

广东科斯达电子科技有限公司 GUANG DONG KE SI DA ELECTRONIC TECHNOLOGY CO., LTD.		TITLE: - 3.7mmPITCH 90° WAFER SMT TYPE	
X.±0.5	X.±5°	USE:	PART NO.:
.X±0.3	.X±2°	CUSTOMER	B3701P-02-F4MB1-R
.XX±0.25	.XX±1°	APPD: 谭龙清	DWG NO.:
--	--	CHKD: 田峰	GCCP-0743
	UNITS: mm	DR: 蒋建银	SCALE
			1 : 1
			SHEET
			1 / 1

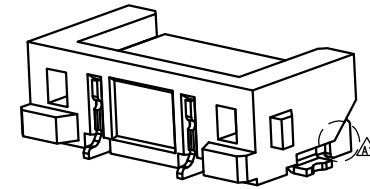


PCB LAYOUT

0.1



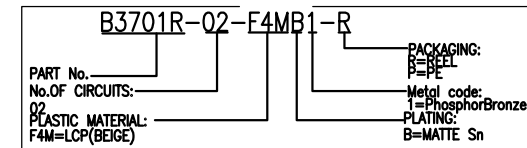
REV	ECN No.	DESCRIPTION	DESIGN	DATE
A0		Release	吴丹平	2017.09.22
A1		修改定位片	曾令青	2018.07.09



主要技术参数 Main Specifications

- 线数 (Poles): 02
- 接触电阻 (Contact resistance): $\leq 30m\Omega$
- 绝缘电阻 (Insulation resistance): $\geq 1000M\Omega$
- 额定电压 (Rated voltage): 500V AC DC
- 额定电流 (Rated current): 2A AC DC
- 耐电压 (Withstand Voltage): 1500V AC/minute
- 温度范围 (Temperature Range): $-40^{\circ}C \sim +85^{\circ}C$

ORDER INFORMATION:



C	SOLDER TAB	2 PCS	PhosphorBronze	MATTE Sn
B	CONTACT	2 PCS	PhosphorBronze	MATTE Sn
A	HOUSING	1 PCS	LCP	UL 94V-0, COLOR:BEIGE
ITEM	COMPONENT	Q'TY	MATERIAL	FINISH

广东科斯达电子科技有限公司
GUANG DONG KE SI DA ELECTRONIC TECHNOLOGY CO., LTD.

TITLE: B3701R-02
 3.7mmPITCH 90°WAFER SMT TYPE

X.±0.5	X.±5'	USE: CUSTOMER	PART NO.:	
.X±0.3	.X±2'		B3701R-02-F4MB1-R	
.XX±0.25	.XX±1'	APPD: 谭龙清	DWG NO.:	
--	--	CHKD: 田峰	GCKH-0744	
⊕	⊖	DR: 蒋建银	SCALE 1 : 1	SHEET 1 / 1

UNITS:
mm