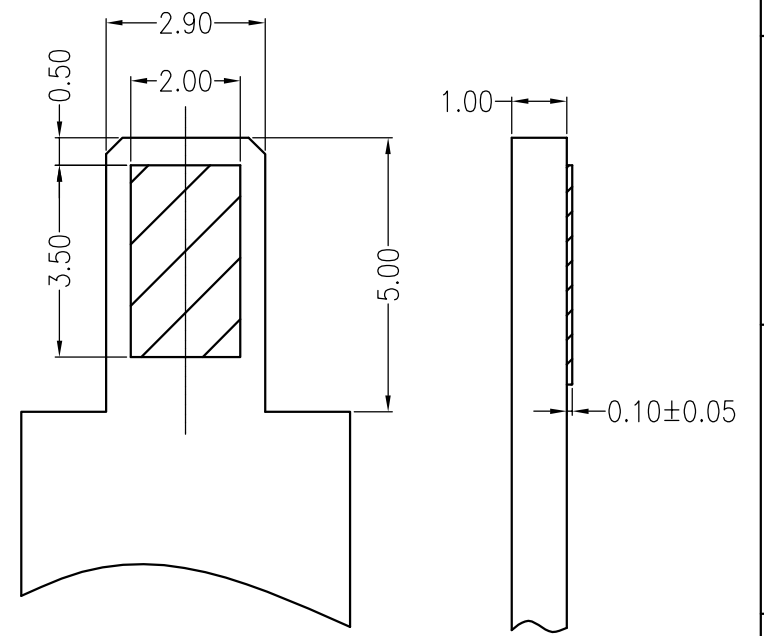
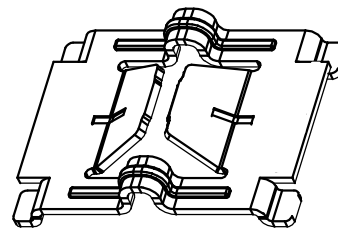
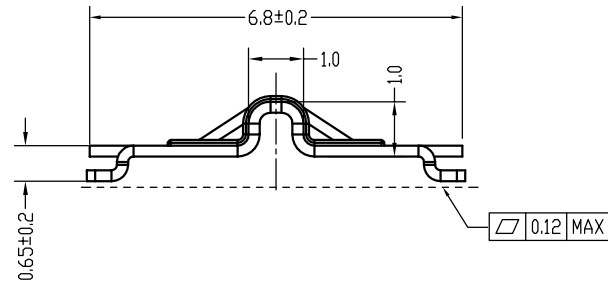
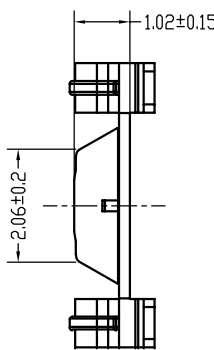
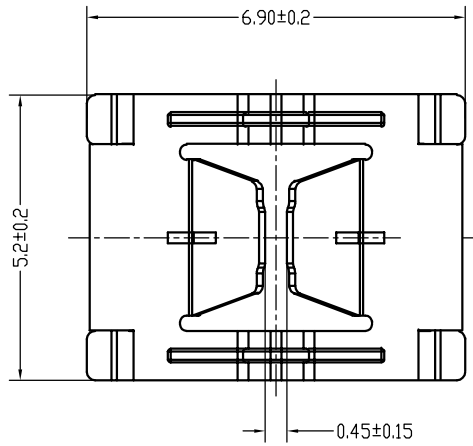
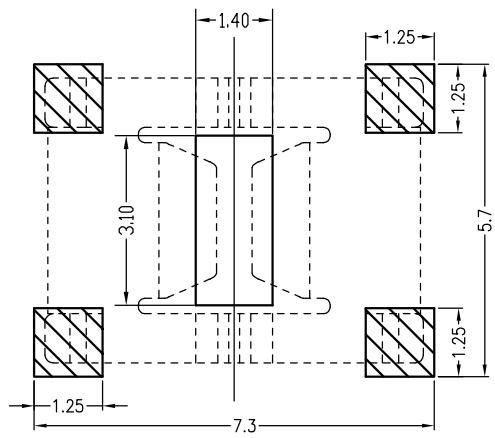


A B C D E F

REV	ECN No.	DESCRIPTION	DESIGN	DATE
A0		Release	吴丹平	2017.06.14



Mating PCB detail

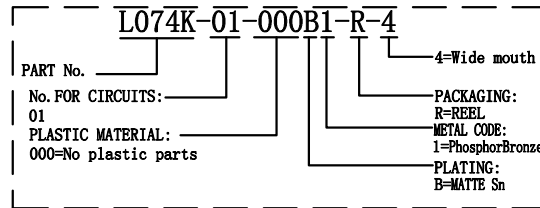


Board Layout

主要技术参数 Main Specifications

板 厚 (thickness): 1.0mm
 接触电阻 (Contact resistance): ≤20mΩ
 额定电压 (Rated voltage): 250 V AC DC
 额定电流 (Rated current): 1.0A AC
 温度范围 (Temperature Range): -45°C ~ +125°C

ORDER INFORMATION:



ITEM	COMPONENT	Q'TY	MATERIAL	FINISH
A	CONTACT	1 PCS	PhosphorBronze	MATTE Sn-plated

广东科斯达电子科技有限公司 GUANG DONG KE SI DA ELECTRONIC TECHNOLOGY CO., LTD.		TITLE: -	
X.±0.5	X.±5'	USE: CUSTOMER	PART NO.: L074K-01-000B1-R-4
.X±0.3	.X±2'	APPD: 邵敬和	DWG NO.: GCCP-1269
.XX±0.25	.XX±1'	CHKD: 田峰	SCALE: 1 : 1
UNITS: mm	DR: 蒋建银	SHEET 1 / 1	

A B C D E F