

A

B

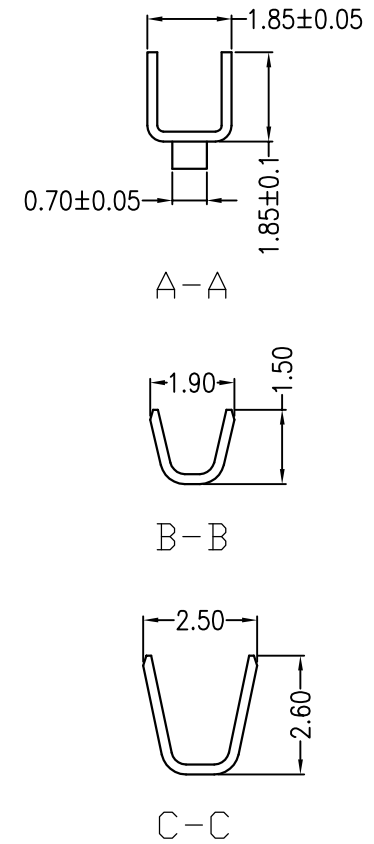
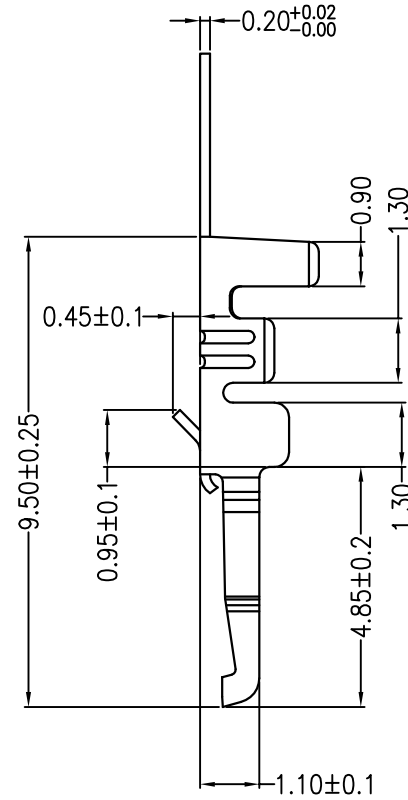
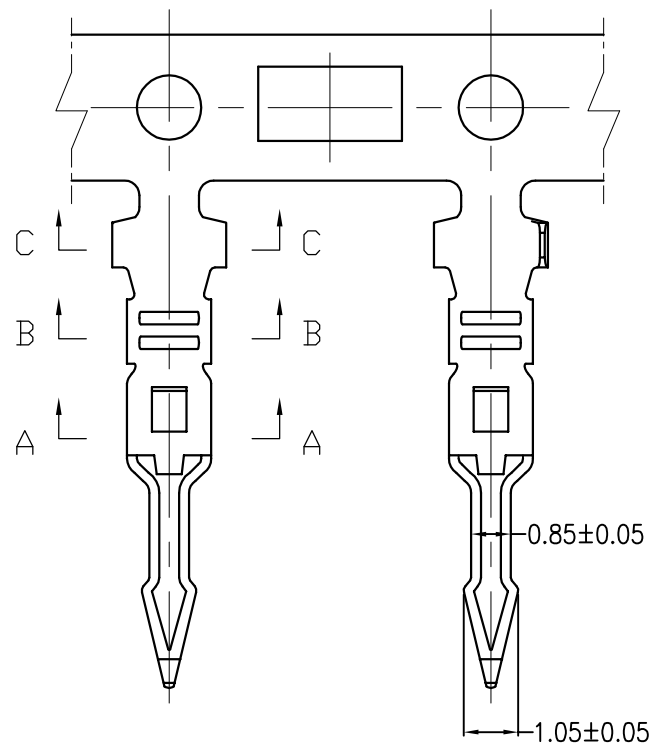
C

D

E



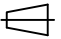
F

REV	DESCRIPTION	DESIGN	DATE
A0	Release	吴丹平	2015.07.01



Ordering Information & Specification:

Part No	Wire Range	Insulation O.D.	Material	Finish	Qty/Reel
B2501T-PA	AWG #22~#28	1.70mm(max)	Phosphor bronze	Sn-plated	10,000 pcs

 <b>广东科斯达电子科技有限公司</b> GUANG DONG KE SI DA ELECTRONIC TECHNOLOGY CO., LTD.		TITLE: B2501端子	
X.±0.5	X.±5'	USE: CUSTOMER	PART NO.: B2501T-PA
.X±0.3	.X±2'	APPD: 邵敬和	DWG NO.: GCDZ-0020
.XX±0.25	.XX±1'	CHKD: 田峰	SCALE: 1:1
--	--	DR: 吴丹平	SHEET: 1/1
  UNITS: mm			

A

B

C

D

E

F

1

2

3

4

5

1

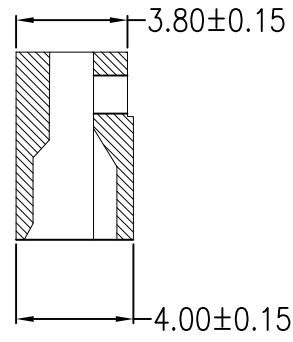
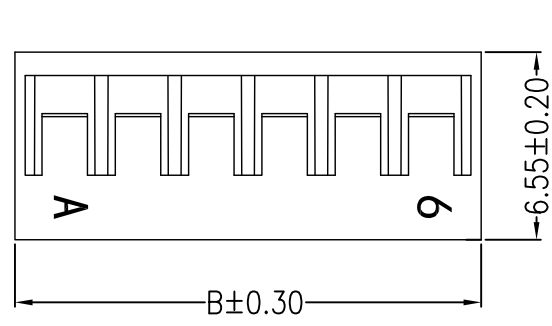
2

3

4

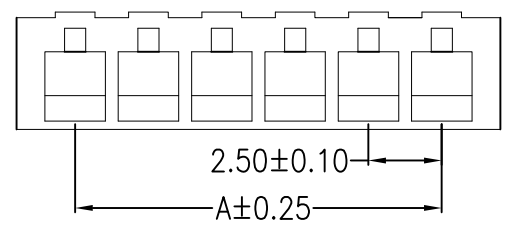
5

REV	DESCRIPTION	DESIGN	DATE
A	NEW RELEASE	Jiangjianyin	2020/08/25

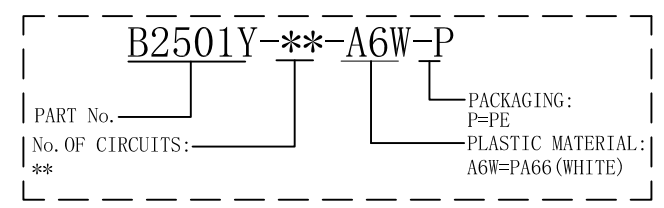


**Specifications:**

- Contact resistance:  $\leq 20m\Omega$
- Insulation resistance:  $\geq 1000M\Omega$
- Rated voltage: 250V AC DC
- Rated current: 3.0A AC DC
- Withstand Voltage: 800V AC/minute
- Temperature Range:  $-25^{\circ}C \sim +85^{\circ}C$
- Housing: PA66 UL94V-0, Natural



**ORDER INFORMATION:**



Circuits	Dimensions (mm)		Circuits	Dimensions (mm)	
	A	B		A	B
02	2.50	6.50	10	22.50	26.50
03	5.00	9.00	11	25.00	29.00
04	7.50	11.50	12	27.50	31.50
05	10.00	14.00	13	30.00	34.00
06	12.50	16.50	14	32.50	36.50
07	15.00	19.00	15	35.00	39.00
08	17.50	21.50	16	37.50	41.50
09	20.00	24.00			

**广东科斯达电子科技有限公司**  
**GUANG DONG KE SI DA ELECTRONIC TECHNOLOGY CO., LTD.**

GENERAL TOLERANCE	
X. $\pm 0.50$	X. $\pm 5^{\circ}$
X.X $\pm 0.30$	X.X $\pm 2^{\circ}$
X.XX $\pm 0.20$	X.XX $\pm 1^{\circ}$

USE: CUSTOMER  
 APPD: Shaojinghe  
 CHKD: Zenglingqing  
 DR: Jiangjianyin

TITLE: B2501Y-\*\*-06P  
 2.50mm PITCH Housing  
 PART NO.: B2501Y-\*\*-A6W-P  
 DWG NO.: GCKH-0588  
 SCALE: 1 : 1  
 SHEET: 1 / 1

