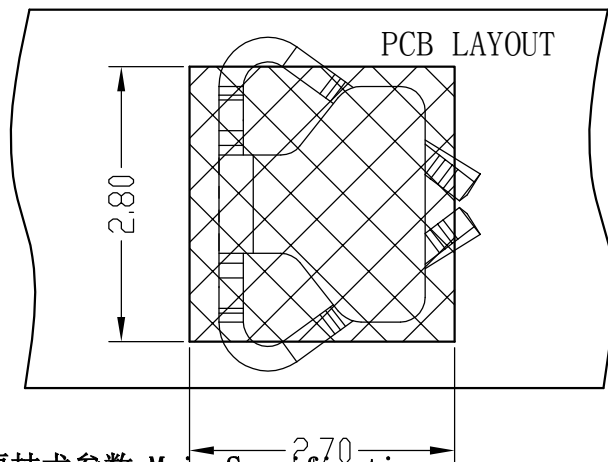
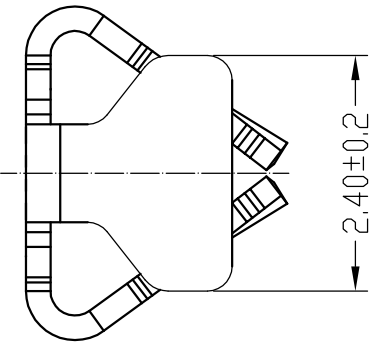
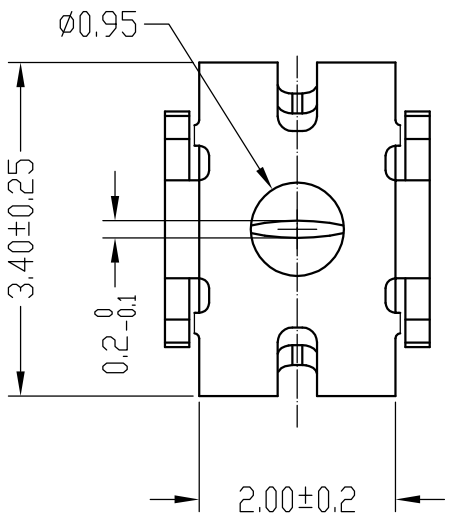


A B C D E F

REV	ECN No.	DESCRIPTION	DESIGN	DATE
A1		Release	-	2018.11.07



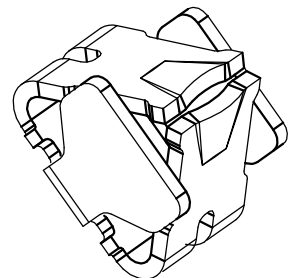
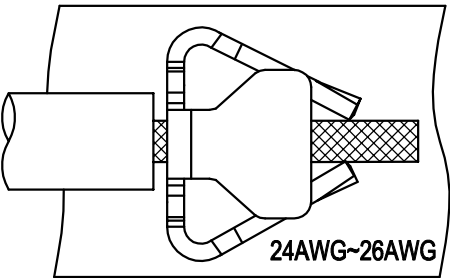
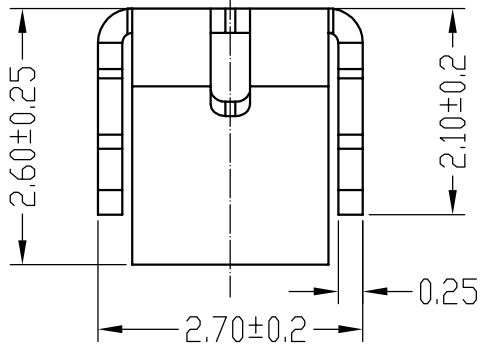
**主要技术参数 Main Specifications**

- 线数 (Poles): 01
- 接触电阻 (Contact resistance):  $\leq 30m\Omega$
- 额定电压 (Rated voltage): 275V AC DC
- 额定电流 (Rated current): 1.0A AC DC
- 温度范围 (Temperature Range):  $-40^{\circ}C \sim +125^{\circ}C$

**ORDER INFORMATION:**

**L079K-01-000B1-R**

PART No.		PACKAGING:	
No. FOR CIRCUITS:	01	R=REEL	
PLASTIC MATERIAL:	000=No plastic parts	METAL CODE:	1=PhosphorBronze
		PLATING:	B=MATTE Sn



A B C D E F

1  
2  
3  
4  
5

ITEM	COMPONENT	Q'TY	MATERIAL	FINISH
A	CONTACT	1 PCS	PhosphorBronze	MATTE Sn-plated

X.±0.5 .X±0.3 .XX±0.25 -- 	X.±5'	USE: CUSTOMER APPD: 邵敬和 CHKD: 田峰 DR: 蒋建银	TITLE: -
	X.±2'		PART NO.:
	.XX±1'		L079K-01-000B1-R
	--		DWG NO.:
	UNITS: mm		GCCP-1125
	SCALE 1 : 1	SHEET 1 / 1	

**广东科斯达电子科技有限公司**  
GUANG DONG KE SI DA ELECTRONIC TECHNOLOGY CO., LTD.