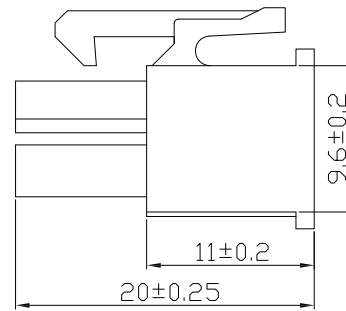
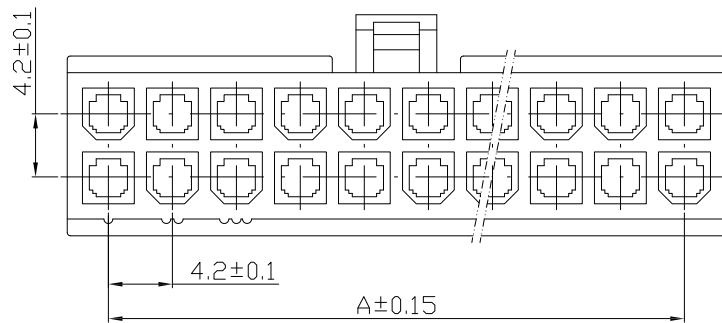
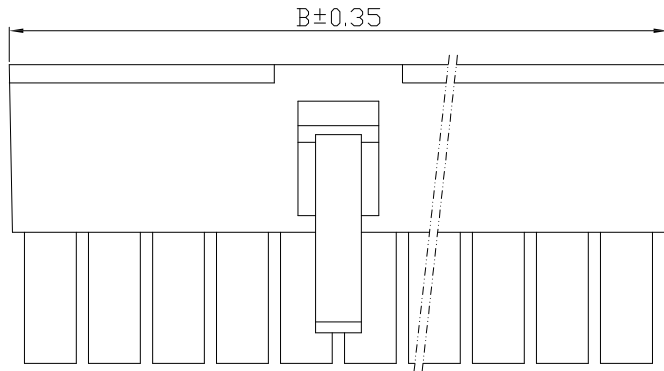


REV	ECN No.	DESCRIPTION	DESIGN	DATE
A0		Release	蒋建银	2018.03.06



### 主要技术参数 Main Specifications

线数 (Poles): 02 to 24  
 接触电阻 (Contact resistance):  $\leq 20\text{m}\Omega$   
 绝缘电阻 (Insulation resistance):  $\geq 1000\text{M}\Omega$   
 额定电压 (Rated voltage): 300 V AC DC  
 额定电流 (Rated current): 9.0A AC DC  
 耐电压 (Withstand Voltage): 1500V AC/minute  
 温度范围 (Temperature Range):  $-25^{\circ}\text{C} \sim +85^{\circ}\text{C}$

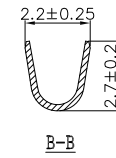
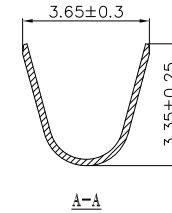
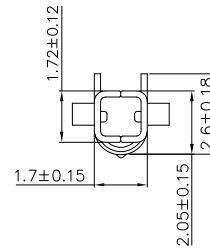
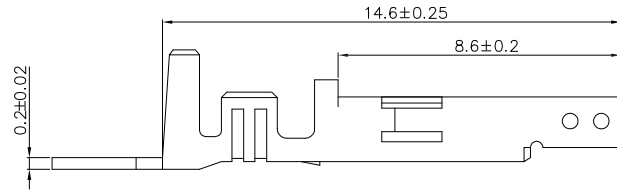
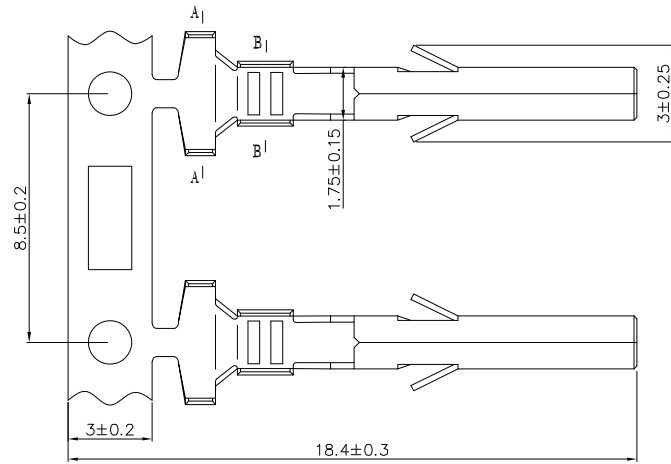
**C4201P-2\*\*-A0T-P**

PART No. _____		PACKAGING: P=PE
No. OF CIRCUITS: _____		PLASTIC MATERIAL: A0T=PA66(Transparent)
201~212		

Circuits	Dimensions (mm)		Circuits	Dimensions (mm)	
	A	B		A	B
201		5.60	207	25.20	30.80
202	4.20	9.80	208	29.40	35.00
203	8.40	14.00	209	33.60	39.20
204	12.60	18.20	210	37.80	43.40
205	16.80	22.40	211	42.00	47.60
206	21.00	26.60	212	46.20	51.80

C				
B	CONTACT			
A	HOUSING	1 PCS	PA66	COLOR:Transparent,UL94-V2
ITEM	COMPONENT	Q'TY	MATERIAL	FINISH
<b>广东科斯达电子科技有限公司</b> GUANG DONG KE SI DA ELECTRONIC TECHNOLOGY CO., LTD.		USE: CUSTOMER APPD: 邵敬和 CHKD: 田峰		TITLE: C4201P 4.2mmPITCH Housing
				PART NO.: C4201P-2**-A0T-P
UNITS: mm 		DR: 吴丹平		DWG NO.: GCCP-0678
				SCALE 1 : 1

REV	ECN No.	DESCRIPTION	DESIGN	DATE
A0		Release	吴丹平	2017.04.27

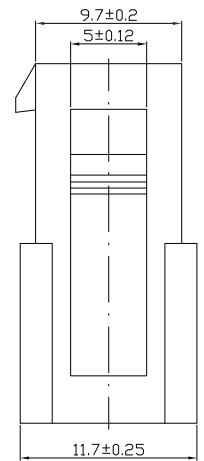
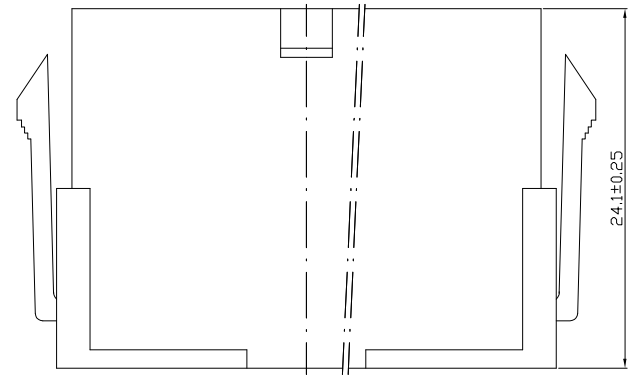
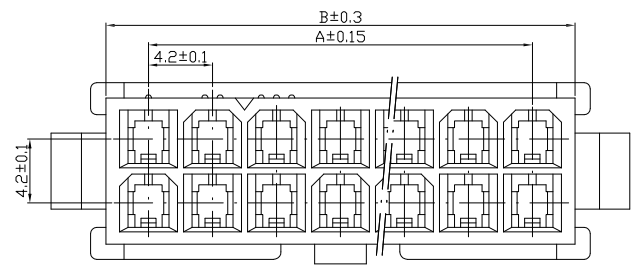


### 主要技术参数 Main Specifications

线数 (Poles): 02 to 24  
 接触电阻 (Contact resistance):  $\leq 20\text{m}\Omega$   
 绝缘电阻 (Insulation resistance):  $\geq 1000\text{M}\Omega$   
 额定电压 (Rated voltage): 300 V AC DC  
 额定电流 (Rated current): 9.0A AC DC  
 耐电压 (Withstand Voltage): 1500V AC/minute  
 温度范围 (Temperature Range):  $-25^{\circ}\text{C} \sim +85^{\circ}\text{C}$   
 适用线规 (Applicable wire): AWG #24 to #20

ITEM	COMPONENT	Q'TY	MATERIAL	FINISH
C				
B	CONTACT			
A	HOUSING	1 PCS	PhosphorBronze	Sn-plated
 <b>广东科斯达电子科技有限公司</b> <b>GUANG DONG KE SI DA ELECTRONIC TECHNOLOGY CO., LTD.</b>				
TITLE: C4201PT端子				
X.±0.5	X.±5'	USE:	PART NO.:	
.X±0.3	.X±2'	APPD:	C4201PT-03端子	
.XX±0.25	.XX±1'	CHKD:	DWG NO.:	
--	--	DR:	GCDZ-0040	
UNITS: mm		吴丹平	SCALE	SHEET
			1 : 1	1 / 1

REV	ECN No.	DESCRIPTION	DESIGN	DATE
AO		Release	蒋建银	2018.03.06



**主要技术参数 Main Specifications**

线数 (Poles): 02 to 24  
 接触电阻 (Contact resistance):  $\leq 20m\Omega$   
 绝缘电阻 (Insulation resistance):  $\geq 1000M\Omega$   
 额定电压 (Rated voltage): 300 V AC DC  
 额定电流 (Rated current): 9.0A AC DC  
 耐电压 (Withstand Voltage): 1500V AC/minute  
 温度范围 (Temperature Range):  $-25^{\circ}C \sim +85^{\circ}C$


**C4201R-2\*\*-AOT-P**

PART No. \_\_\_\_\_  
 No. OF CIRCUITS: \_\_\_\_\_  
 201~212

PACKAGING:  
 P=PE  
 PLASTIC MATERIAL:  
 AOT=PA66(Transparent)

Circuits	Dimensions (mm)		Circuits	Dimensions (mm)	
	A	B		A	B
201		5.60	207	25.20	30.80
202	4.20	9.80	208	29.40	35.00
203	8.40	14.00	209	33.60	39.20
204	12.60	18.20	210	37.80	43.40
205	16.80	22.40	211	42.00	47.60
206	21.00	26.60	212	46.20	51.80

ITEM	COMPONENT	Q'TY	MATERIAL	FINISH
C				
B	CONTACT			
A	HOUSING	1 PCS	PA66	COLOR:Transparent,UL94-V2



**广东科斯达电子科技有限公司**  
GUANG DONG KE SI DA ELECTRONIC TECHNOLOGY CO., LTD.

TITLE: C4201R  
4.2mmPITCH Housing

PART NO.:  
C4201R-2\*\*-AOT-P

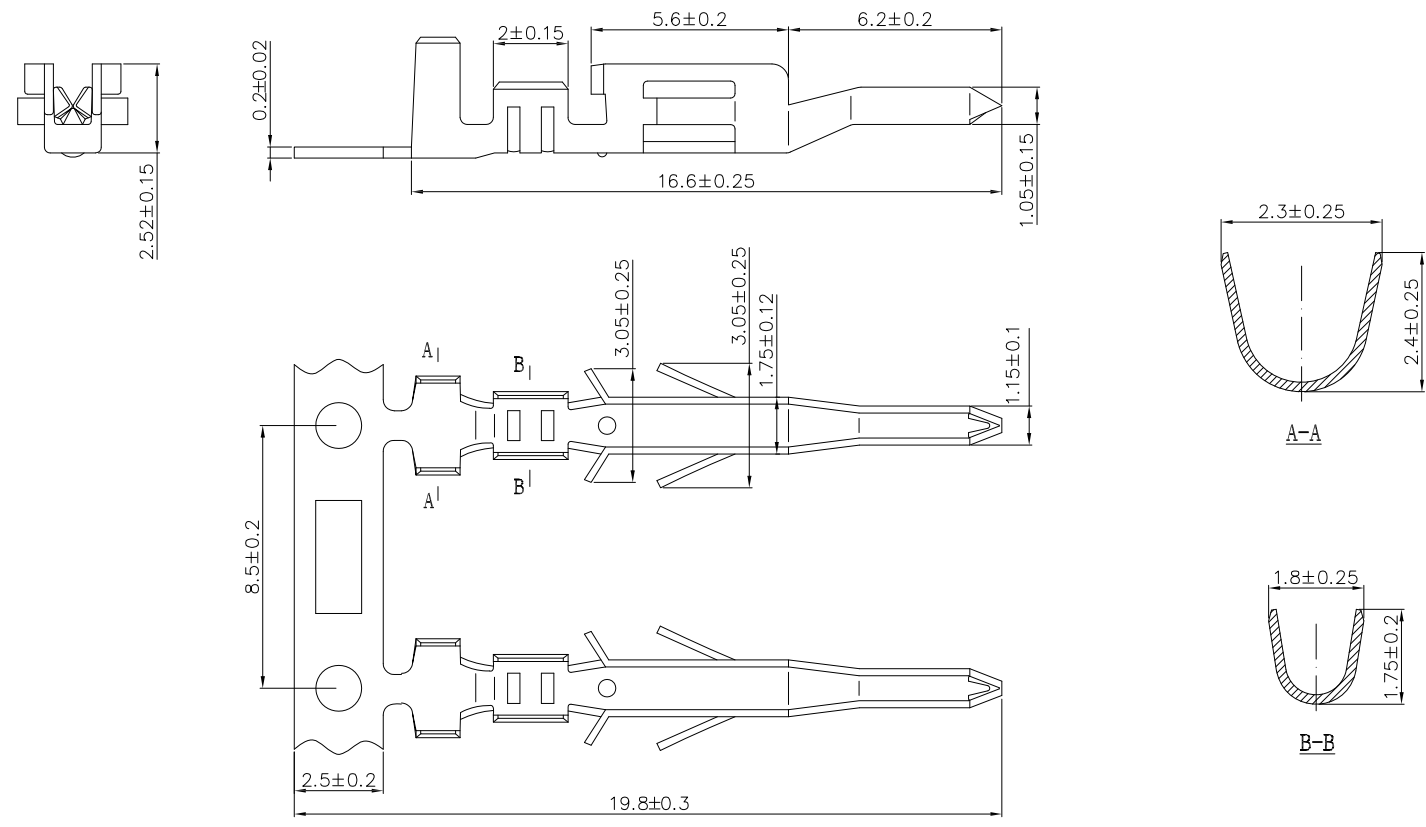
DWG NO.:  
GCCP-0678

SCALE: 1 : 1

SHEET: 1 / 1

X.±0.5	X.±5'	USE: CUSTOMER	
.X±0.3	.X±2'		APPD: 邵敬和
.XX±0.25	.XX±1'		CHKD: 田峰
--	--	DR: 吴丹平	

REV	ECN No.	DESCRIPTION	DESIGN	DATE
A0		Release	吴丹平	2017.04.27



**主要技术参数 Main Specifications**

线数 (Poles): 02 to 24  
 接触电阻 (Contact resistance):  $\leq 20\text{m}\Omega$   
 绝缘电阻 (Insulation resistance):  $\geq 1000\text{M}\Omega$   
 额定电压 (Rated voltage): 300 V AC DC  
 额定电流 (Rated current): 9.0A AC DC  
 耐电压 (Withstand Voltage): 1500V AC/minute  
 温度范围 (Temperature Range):  $-25^{\circ}\text{C} \sim +85^{\circ}\text{C}$   
 适用线规 (Applicable wire): AWG #24 to #20

ITEM	COMPONENT	Q'TY	MATERIAL	FINISH
C				
B	CONTACT			
A	HOUSING	1 PCS	PhosphorBronze	Sn-plated

<b>广东科斯达电子科技有限公司</b> GUANG DONG KE SI DA ELECTRONIC TECHNOLOGY CO., LTD.		TITLE: C4201R 端子	
X.±0.5	X.±5'	USE: CUSTOMER	PART NO.:
.X±0.3	.X±2'	APPD: 邵敬和	C4201RT-03端子
.XX±0.25	.XX±1'	CHKD: 田峰	DWG NO.:
--	--	DR: 吴丹平	GCDZ-0039
UNITS: mm		SCALE	SHEET
		1 : 1	1 / 1