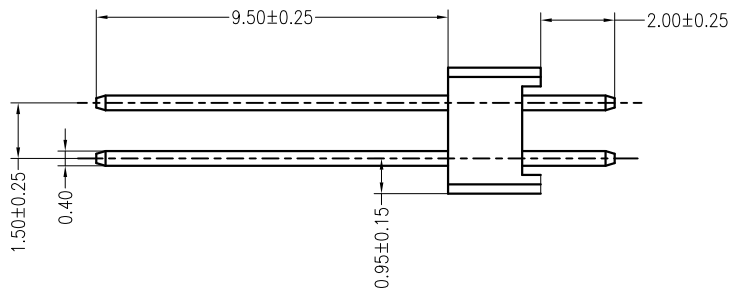
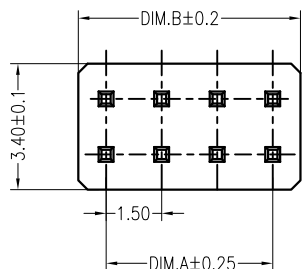


Customized products

MOQ

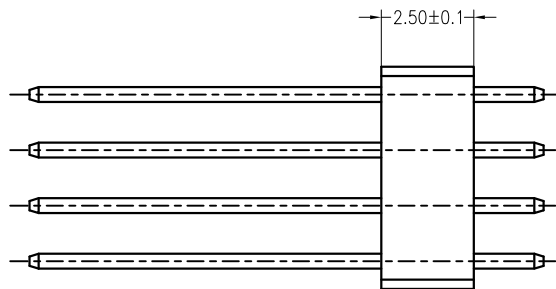
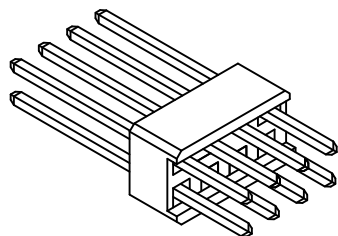
50000PCS

REV	DESCRIPTION	DESIGN	DATE
X0	NEW RELEASE	蒋建银	2019/08/16

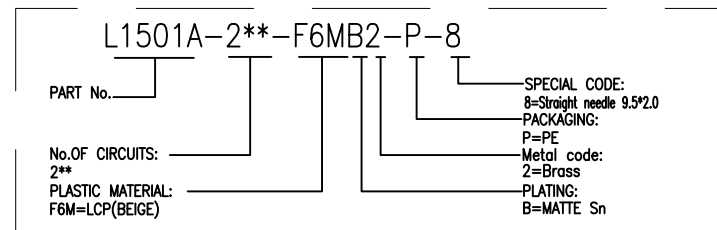


Specifications:

Poles: 04 to 16
 Contact resistance: $\leq 30m\Omega$
 Insulation resistance: $\geq 500M\Omega$
 Rated voltage: 250V AC DC
 Rated current: 1.0A AC DC
 Withstand Voltage: 500V AC/minute
 Temperature Range: $-40^{\circ}C \sim +110^{\circ}C$
 Housing: LCP UL94V-0, Natural (Beige)
 Contacts: Brass/MATTE Sn-plated

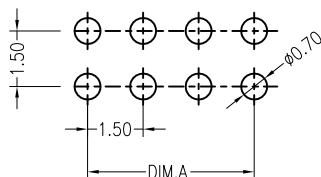


ORDER INFORMATION:



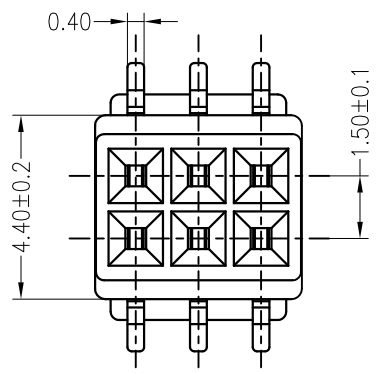
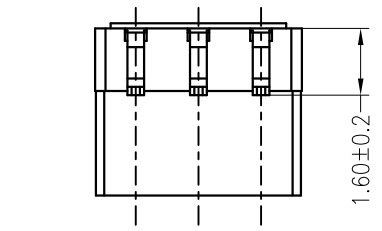
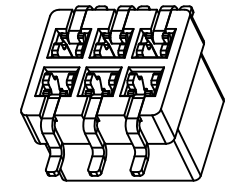
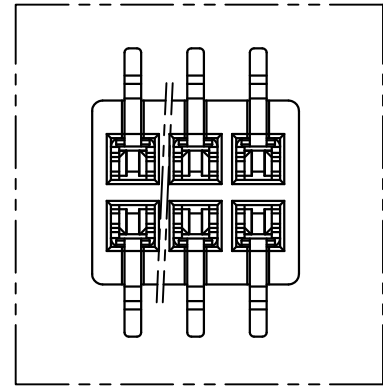
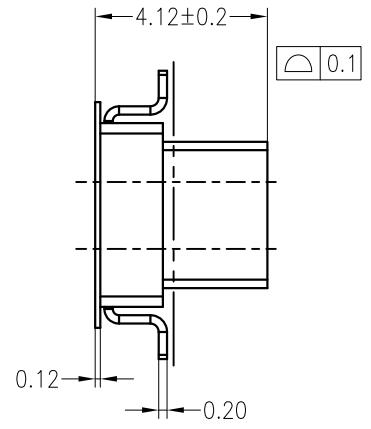
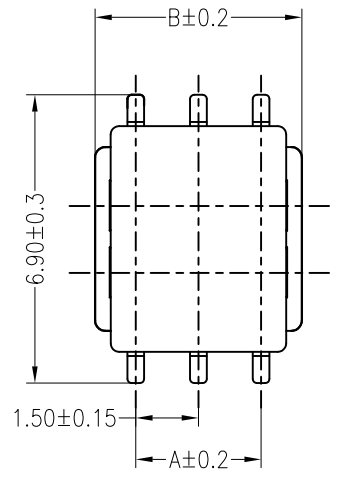
PIN.	DIM A	DIM B
2*2	1.50	3.00
2*3	3.00	4.50
2*4	4.50	6.00
2*5	6.00	7.50
2*6	7.50	9.00
2*7	9.00	10.50
2*8	10.50	12.00

PCB LAYOUT

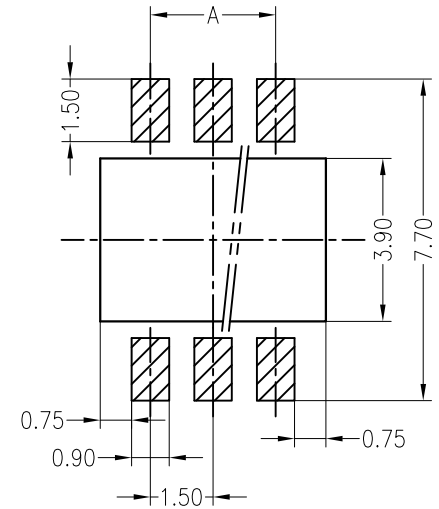


<p>广东科斯达电子科技有限公司 GUANG DONG KE SI DA ELECTRONIC TECHNOLOGY CO., LTD.</p>		TITLE: 1.5mmPitch 180°wafer dip type	
		PART NO.: L1501A-2**-F6MB2-P-8	
GENERAL TOLERANCE		USE: CUSTOMER	
X. ±0.50	X. ±5°	APPD: 刘振岭	
X.X ±0.30	X.X ±2°	CHKD: 王亮	
X.XX ±0.20	X.XX ±1°	DR: 蒋建银	
UNITS: mm		SCALE 1 : 1	
		SHEET 1 / 1	

REV	ECN No.	DESCRIPTION	DESIGN	DATE
B	-	Release	-	2021.01.29



PCB LAYOUT

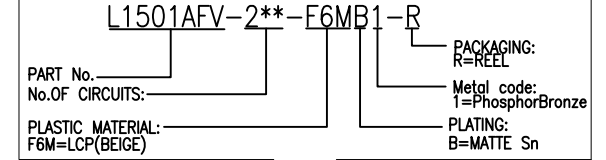


PIN.	DIM A	DIM B
2*2	1.50	3.50
2*3	3.00	5.00
2*4	4.50	6.50
2*5	6.00	8.00
2*6	7.50	9.50
2*7	9.00	11.00
2*8	10.50	12.50

主要技术参数 Main Specifications

线 数 (Poles): 04 to 16
 接触电阻 (Contact resistance): $\leq 30m\Omega$
 绝缘电阻 (Insulation resistance): $\geq 500M\Omega$
 额定电压 (Rated voltage): 250V AC DC
 额定电流 (Rated current): 1.0A AC DC
 耐电压 (Withstand Voltage): 500V AC/minute
 温度范围 (Temperature Range): $-40^{\circ}C \sim +110^{\circ}C$

ORDER INFORMATION:



C	MYLAR	1 PCS		
B	CONTACT	n PCS	PhosphorBronze	Sn-plated
A	HOUSING	1 PCS	LCP	UL 94V-0, COLOR:BEIGE
ITEM	COMPONENT	Q'TY	MATERIAL	FINISH

广东科斯达电子科技有限公司
 GUANG DONG KE SI DA ELECTRONIC TECHNOLOGY CO., LTD.

TITLE: L1501AFV
 -

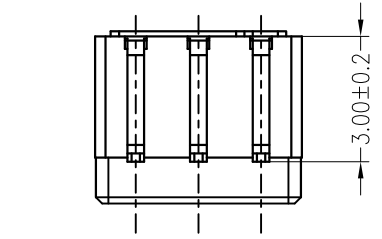
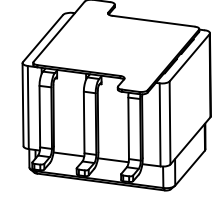
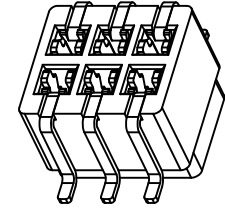
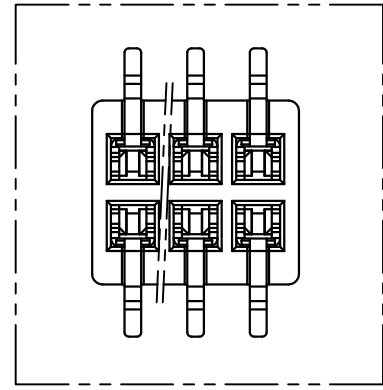
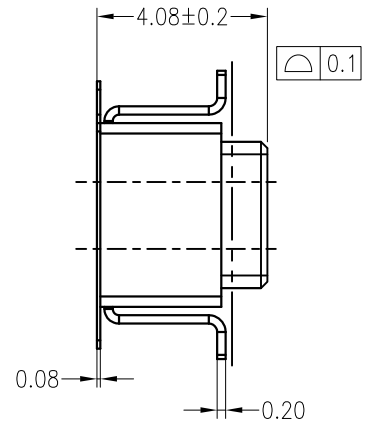
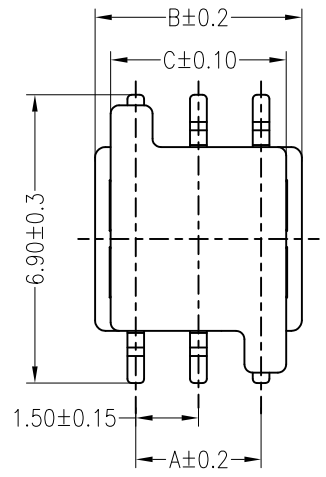
USE: CUSTOMER
 APPD: 邵敬和
 CHKD: 田峰
 DR: 蒋建银

PART NO.: L1501AFV-2**-F6MB1-R
 DWG NO.: -GCKH-1172

SCALE: 1 : 1
 SHEET: 1 / 1

UNITS: mm

REV	ECN No.	DESCRIPTION	DESIGN	DATE
A0	-	Release	-	2018.06.11
A1		增大麦拉解决抛料问题	蒋建银	2020.05.30

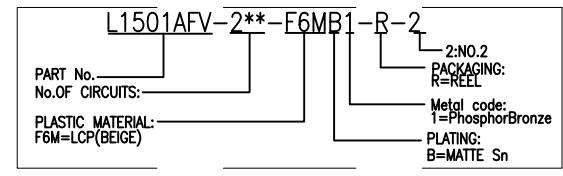


PIN.	DIM A	DIM B	DIM C
2*2	1.50	3.50	3.50
2*3	3.00	5.00	A1 4.20
2*4	4.50	6.50	
2*5	6.00	8.00	
2*6	7.50	9.50	
2*7	9.00	11.00	
2*8	10.50	12.50	

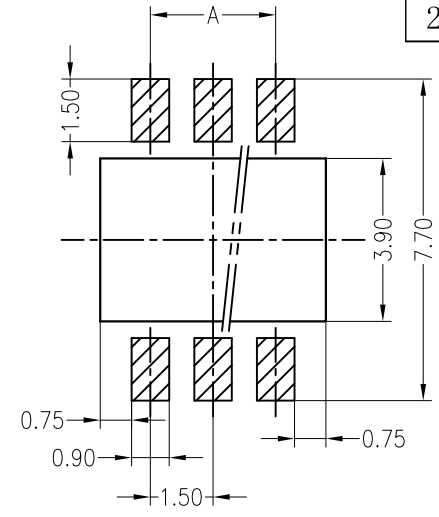
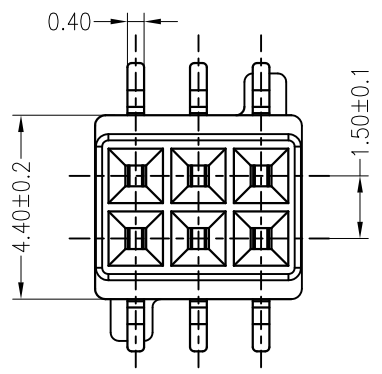
主要技术参数 Main Specifications

线 数 (Poles): 04 to 16
 接触电阻 (Contact resistance): $\leq 30m\Omega$
 绝缘电阻 (Insulation resistance): $\geq 500M\Omega$
 额定电压 (Rated voltage): 250V AC DC
 额定电流 (Rated current): 1.0A AC DC
 耐电压 (Withstand Voltage): 500V AC/minute
 温度范围 (Temperature Range): $-40^{\circ}C \sim +110^{\circ}C$

ORDER INFORMATION:



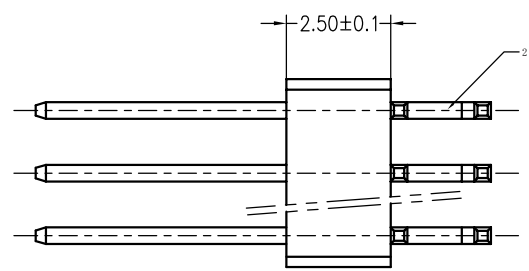
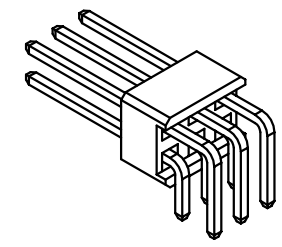
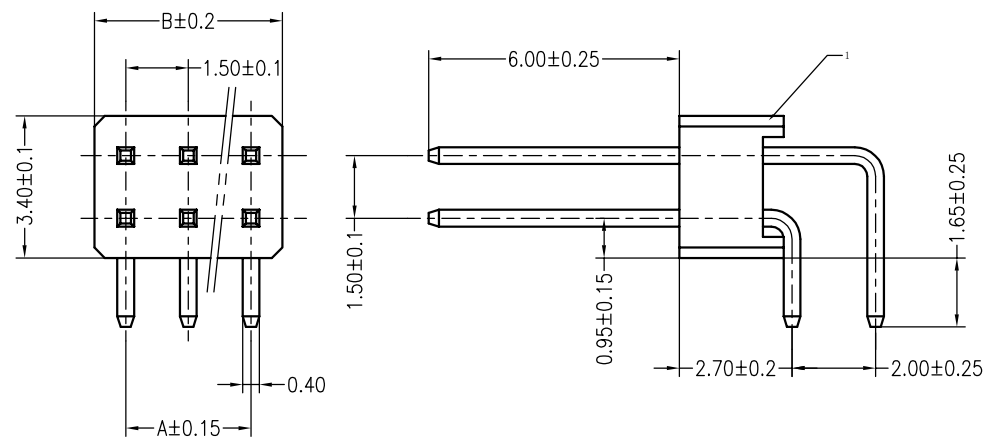
PCB LAYOUT



C	MYLAR	1 PCS		
B	CONTACT	n PCS	PhosphorBronze	MATTE Sn-plated
A	HOUSING	1 PCS	LCP	UL 94V-0, COLOR:BEIGE
ITEM	COMPONENT	Q'TY	MATERIAL	FINISH

广东科斯达电子科技有限公司 GUANG DONG KE SI DA ELECTRONIC TECHNOLOGY CO., LTD.			TITLE: -	
X.±0.5	X.±5'	USE: CUSTOMER	PART NO.:	
.X±0.3	.X±2'		L1501AFV-2**-F6MB1-R-2	
.XX±0.25	.XX±1'		DWG NO.:	
--	--	CHKD: 方松乐	GCKH-1179	
UNITS: mm		DR: 蒋建银	SCALE	SHEET
			1 : 1	1 / 1

REV	ECN No.	DESCRIPTION	DESIGN	DATE
A0		Release		2018.06.11



主要技术参数 Main Specifications

- 线数 (Poles): 04 to 16
- 接触电阻 (Contact resistance): $\leq 30m\Omega$
- 绝缘电阻 (Insulation resistance): $\geq 500M\Omega$
- 额定电压 (Rated voltage): 250V AC DC
- 额定电流 (Rated current): 1.0A AC DC
- 耐电压 (Withstand Voltage): 500V AC/minute
- 温度范围 (Temperature Range): $-40^{\circ}C \sim +110^{\circ}C$

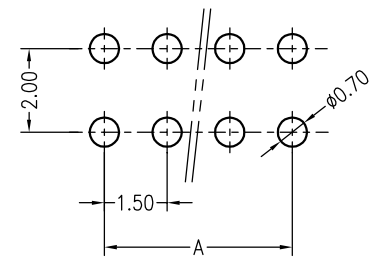
ORDER INFORMATION:

L1501AW-2-F6MB2-P**

PART No.		PACKAGING:	P=PE
No.OF CIRCUITS:		Metal code:	2=Brass
202~208		PLATING:	B=MATTE Sn
PLASTIC MATERIAL:			
F6M=LCP(BEIGE)			

PIN.	DIM A	DIM B
2*2	1.50	3.00
2*3	3.00	4.50
2*4	4.50	6.00
2*5	6.00	7.50
2*6	7.50	9.00
2*7	9.00	10.50
2*8	10.50	12.00

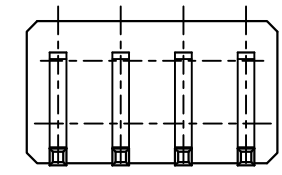
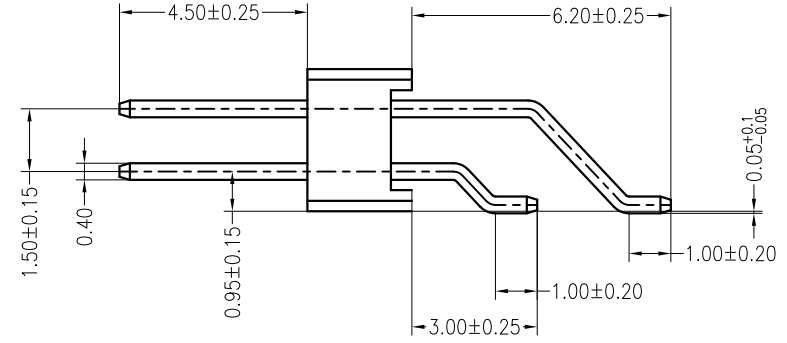
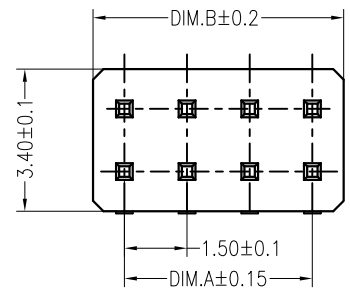
PCB LAYOUT



ITEM	COMPONENT	Q'TY	MATERIAL	FINISH
C				
B	CONTACT	4~16 PCS	Brass	MATTE Sn-plated
A	HOUSING	1 PCS	LCP	UL 94V-0, COLOR:BEIGE

广东科斯达电子科技有限公司 GUANG DONG KE SI DA ELECTRONIC TECHNOLOGY CO., LTD.		TITLE: -	
X.±0.5	X.±5'	USE: CUSTOMER	PART NO.: L1501AW-2**-F6MB2-P
.X±0.3	.X±2'	APPD: 谭龙清	DWG NO.: GCCP-1173
.XX±0.25	.XX±1'	CHKD: 田峰	SCALE: 1:1
---	---	DR: 蒋建银	SHEET: 1/1

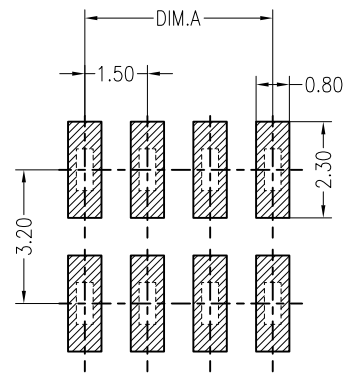
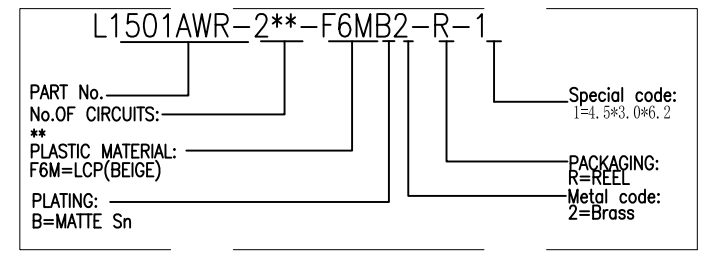
REV	ECN No.	DESCRIPTION	DESIGN	DATE
AO	-	Release	蒋建银	2018.10.30



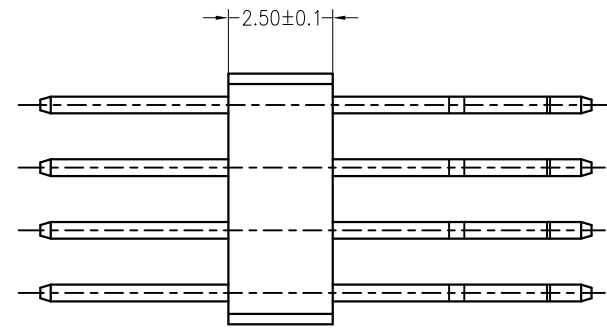
主要技术参数 Main Specifications

线 数 (Poles): 04 to 16
 接触电阻 (Contact resistance): $\leq 30m\Omega$
 绝缘电阻 (Insulation resistance): $\geq 500M\Omega$
 额定电压 (Rated voltage): 250V AC DC
 额定电流 (Rated current): 1.0A AC DC
 耐 电 压 (Withstand Voltage): 500V AC/minute
 温度范围 (Temperature Range): $-40^{\circ}C \sim +110^{\circ}C$

ORDER INFORMATION:



ROMMENDED PCB LAYOUT
 TOLERANCE ± 0.05



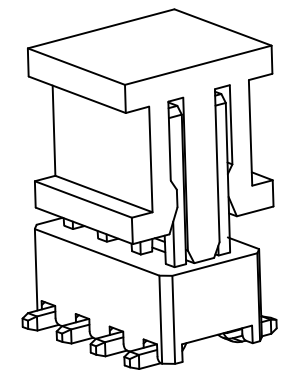
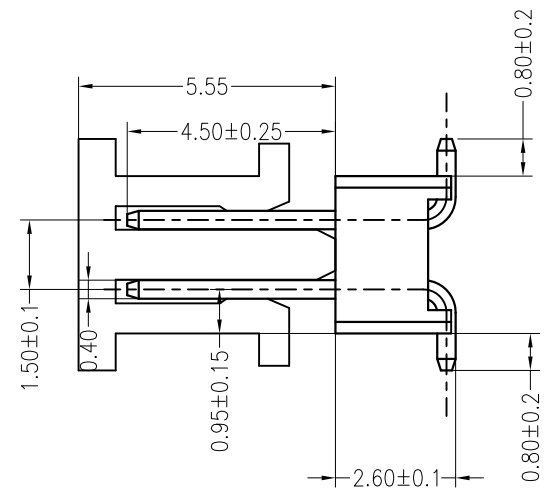
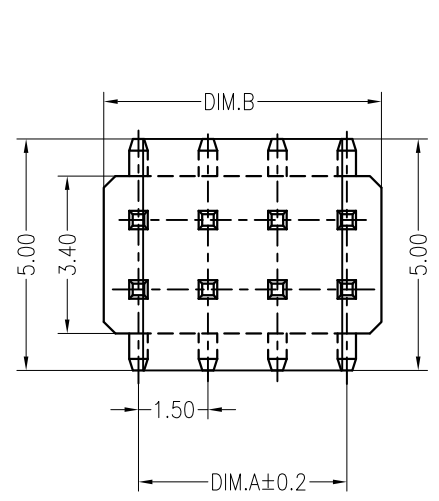
PIN.	DIM A	DIM B
2*2	1.50	3.00
2*3	3.00	4.50
2*4	4.50	6.00
2*5	6.00	7.50
2*6	7.50	9.00
2*7	9.00	10.50
2*8	10.50	12.00

ITEM	COMPONENT	Q'TY	MATERIAL	FINISH
C				
B	CONTACT	n PCS	Brass	MATTE Sn-plated
A	HOUSING	1 PCS	LCP	UL 94V-0, COLOR:BEIGE

X.±0.5	X.±5'	USE:	CUSTOMER	TITLE: -	
		APPD:		-	
.X±0.3	.X±2'			PART NO.:	
.XX±0.25	.XX±1'			L1501AWR-2**-F6MB2-R-1	
--	--	CHKD:	王亮	DWG NO.:	
		DR:	蒋建银	GCCP-1248	
UNITS: mm				SCALE	SHEET
				1 : 1	1 / 1

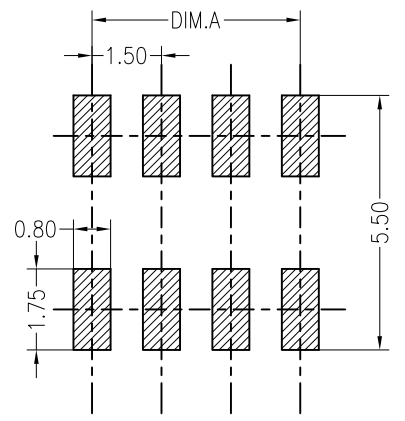
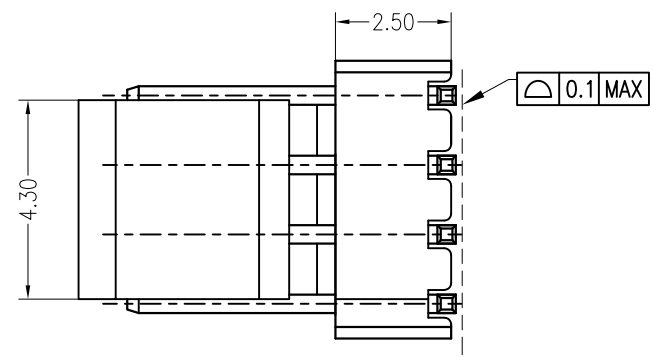
广东科斯达电子科技有限公司
 GUANG DONG KE SI DA ELECTRONIC TECHNOLOGY CO., LTD.

REV	DESIGN	DATE
A0	蒋建银	2019.02.28
-	-	-



主要技术参数 Main Specifications

- 线数 (Poles): 04 to 16
- 接触电阻 (Contact resistance): $\leq 30m\Omega$
- 绝缘电阻 (Insulation resistance): $\geq 500M\Omega$
- 额定电压 (Rated voltage): 250V AC DC
- 额定电流 (Rated current): 1.0A AC DC
- 耐电压 (Withstand Voltage): 500V AC/minute
- 温度范围 (Temperature Range): $-40^{\circ}C \sim +110^{\circ}C$



Board Layout

General Tolerance: ± 0.05

ORDER INFORMATION:

L1501AWV-2-F6MB2-R-2**

PART No.:		Special code:	
No. OF CIRCUITS:		2=4, 5*0, 8	
2*2~2*8		PACKAGING:	
PLASTIC MATERIAL:		R=REEL	
F6M=LCP(BEIGE)		Metal code:	
PLATING:		2=Brass	
B=MATTE Sn			

PIN.	DIM A	DIM B	ITEM	COMPONENT	Q'TY	MATERIAL	FINISH
2*2	1.50	3.00	C	CAP	1 PCS	LCP	UL 94V-0, COLOR:BEIGE
			B	CONTACT	** PCS	Brass	MATTE Sn-plated
2*3	3.00	4.50	A	HOUSING	1 PCS	LCP	UL 94V-0, COLOR:BEIGE
2*4	4.50	6.00					
2*5	6.00	7.50					
2*6	7.50	9.00					
2*7	9.00	10.50					
2*8	10.50	12.00					

广东科斯达电子科技有限公司 GUANG DONG KE SI DA ELECTRONIC TECHNOLOGY CO., LTD.			TITLE: -	
X.±0.5	X.±5'	USE:	PART NO.:	
.X±0.3	.X±2'	CUSTOMER	L1501AWV-2**-F6MB2-R-2	
.XX±0.25	.XX±1'	APPD: 邵敬和	DWG NO.:	
--	--	CHKD: 曾令青	GCKH-1253	
UNITS: mm		DR: 蒋建银	SCALE	SHEET
			1 : 1	1 / 1