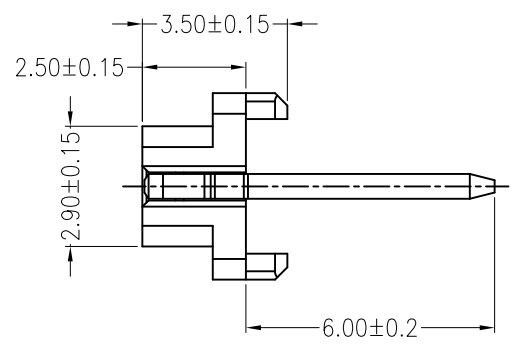
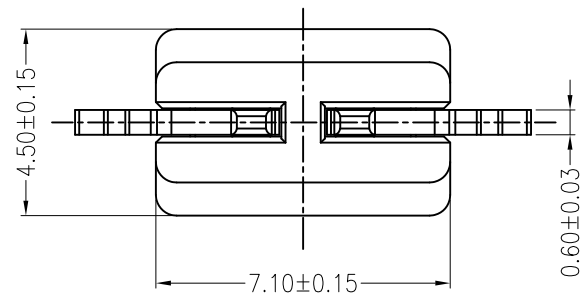
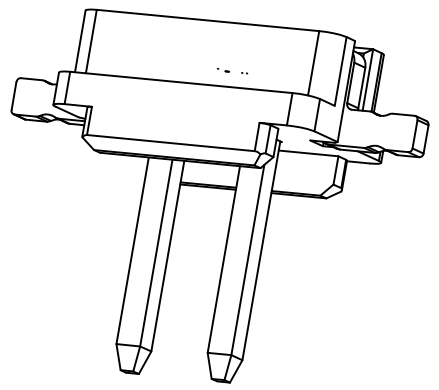
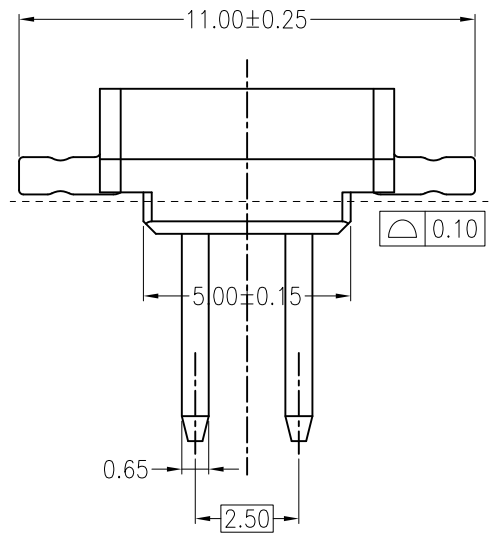


REV	DESCRIPTION	DESIGN	DATE
A	NEW RELEASE	Lingqing	2020/03/27



Specifications:

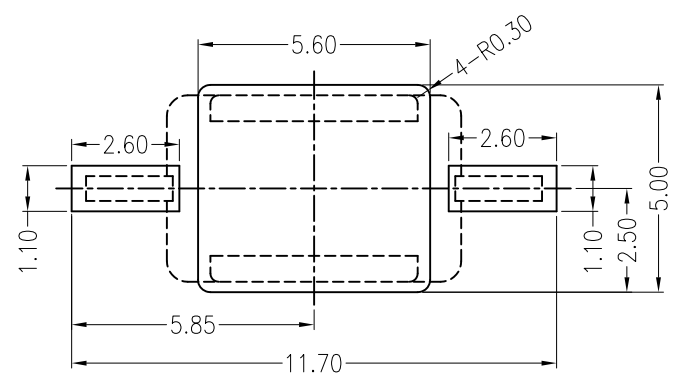
- Contact resistance: $\leq 20m\Omega$
- Insulation resistance: $\geq 1000M\Omega$
- Rated voltage: 230V AC DC
- Rated current: 1.0A AC DC
- Withstand Voltage: 1500V AC/minute
- Temperature Range: $-40^{\circ}C \sim +110^{\circ}C$
- Housing: LCP UL94V-0, BEIGE
- Contacts: Brass / Sn-plated



ORDER INFORMATION:

L2504AFV-02-F8MA3-*

PART No.	PACKAGING:
No.OF CIRCUITS:	P=PE
02	R=REEL
PLASTIC MATERIAL:	Metal code:
F8M=LCP(BEIGE)	3=Brass
	PLATING:
	A=Sn-plated



Board Layout
General Tolerance: ± 0.05

广东科斯达电子科技有限公司 GUANG DONG KE SI DA ELECTRONIC TECHNOLOGY CO., LTD.		TITLE: 2.5mmPITCH 180°WAFER SMT TYPE	
GENERAL TOLERANCE X. ± 0.50 X. $\pm 5^{\circ}$ X.X ± 0.30 X.X $\pm 2^{\circ}$ X.XX ± 0.20 X.XX $\pm 1^{\circ}$		PART NO.: L2504AFV-02-F8MA3-*	
USE: CUSTOMER APPD: Liuzhengling CHKD: Steven		DWG NO.: GCKH-2066	
UNITS: mm		DR: Zenglingqing	
		SCALE 1 : 1	SHEET 1 / 1