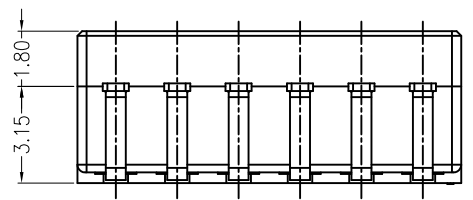
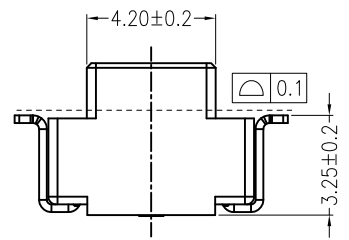
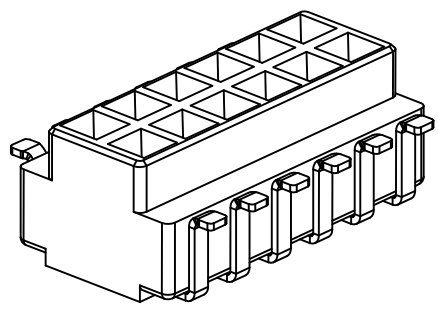
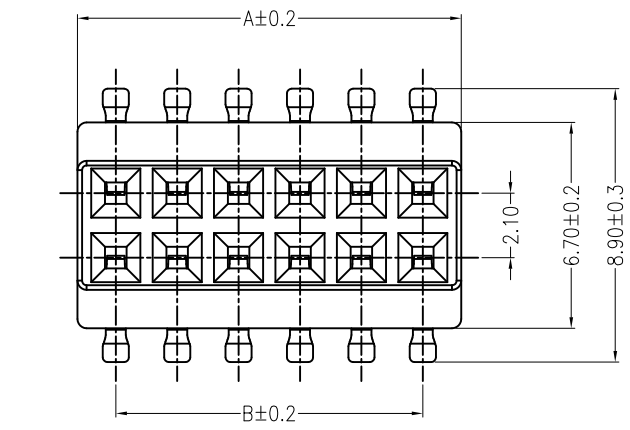
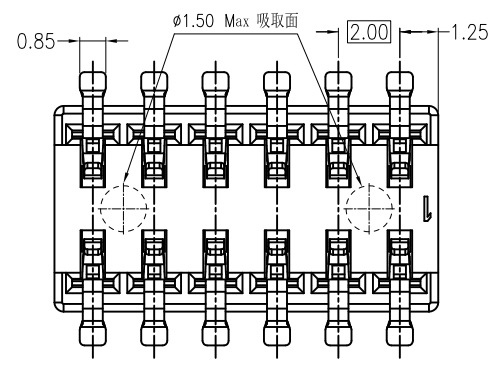


REV	DESCRIPTION	DESIGN	DATE
A0	NEW RELEASE	Lingqing	2020/05/04

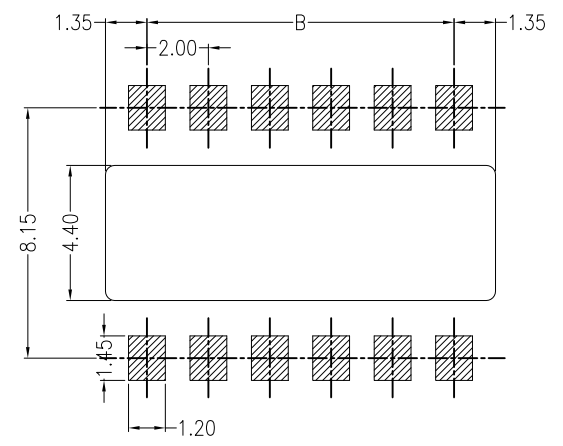


Specifications:

Contact resistance: $\leq 60m\Omega$
 Insulation resistance: $\geq 100M\Omega$
 Rated voltage: 275V AC DC
 Rated current: 1.0A AC DC
 Withstand Voltage: 500V AC/minute
 Temperature Range: $-40^{\circ}C \sim +105^{\circ}C$
 Housing: LCP UL94V-0, Natural (Beige)
 Contacts: Phosphor Bronze/Matte Sn-plated

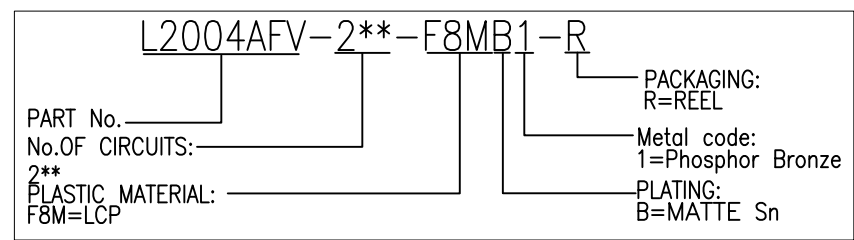


PIN.	DIM A	DIM B
2*2	4.5	2.0
2*3	6.5	4.0
2*4	8.5	6.0
2*5	10.5	8.0
2*6	12.5	10.0
2*7	14.5	12.0
2*8	16.5	14.0



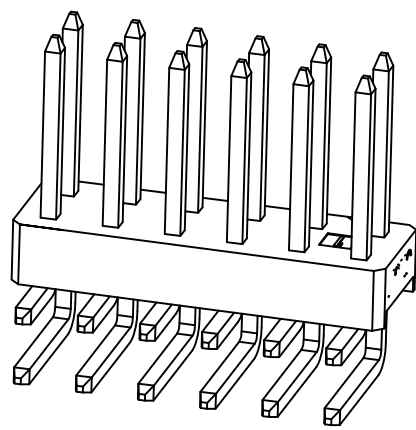
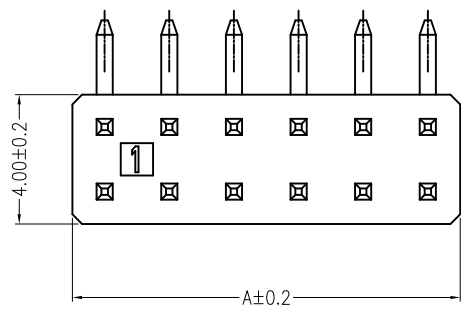
RECOMMENDED PCB LAYOUT (TOP VIEW)
 TOLERANCE: $\pm 0.05mm$

ORDER INFORMATION:



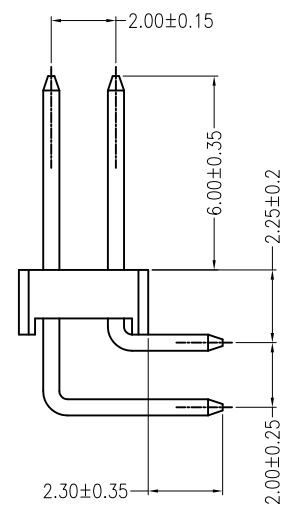
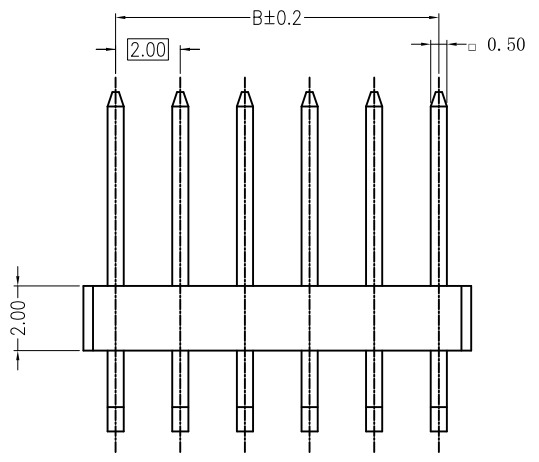
广东科斯达电子科技有限公司 GUANG DONG KE SI DA ELECTRONIC TECHNOLOGY CO., LTD.		TITLE: 2.0mm PITCH 180° WAFER SMT TYPE	
		PART NO.: L2004AFV-2**-F8MB1-R	
GENERAL TOLERANCE		USE: CUSTOMER	
X. ± 0.50	X. $\pm 5^{\circ}$	APPD: Shaojinghe	
X.X ± 0.30	X.X $\pm 2^{\circ}$	CHKD: Fangsongle	
X.XX ± 0.20	X.XX $\pm 1^{\circ}$	DR: Zenglingqing	
UNITS: mm		SCALE 1 : 1	SHEET 1 / 1

REV	DESCRIPTION	DESIGN	DATE
A0	NEW RELEASE	Lingqing	2020/05/06

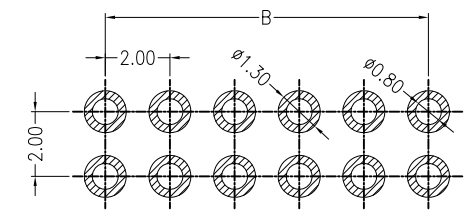


Specifications:

Contact resistance: $\leq 60m\Omega$
 Insulation resistance: $\geq 100M\Omega$
 Rated voltage: 275V AC DC
 Rated current: 1.0A AC DC
 Withstand Voltage: 500V AC/minute
 Temperature Range: $-40^{\circ}C \sim +105^{\circ}C$
 Housing: LCP UL94V-0, Natural (Beige)
 Contacts: Brass/Matte Sn-plated

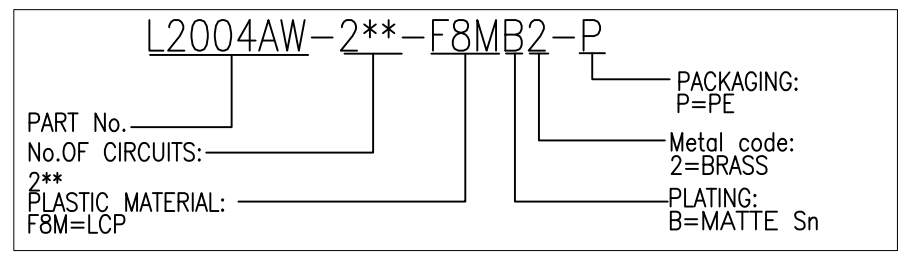


PIN.	DIM A	DIM B
2*2	4.0	2.0
2*3	6.0	4.0
2*4	8.0	6.0
2*5	10.0	8.0
2*6	12.0	10.0
2*7	14.0	12.0
2*8	16.0	14.0



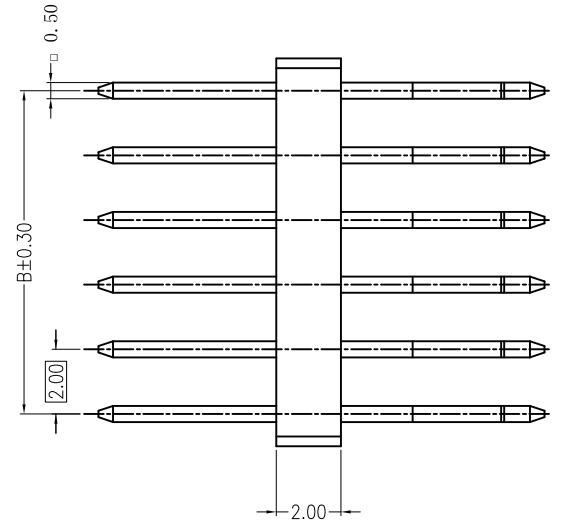
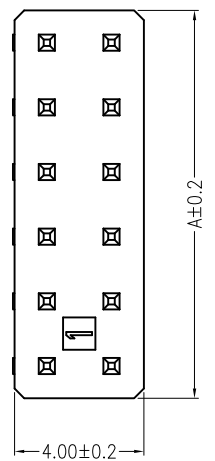
RECOMMENDED PCB LAYOUT (TOP VIEW)
 TOLERANCE: $\pm 0.05mm$

ORDER INFORMATION:



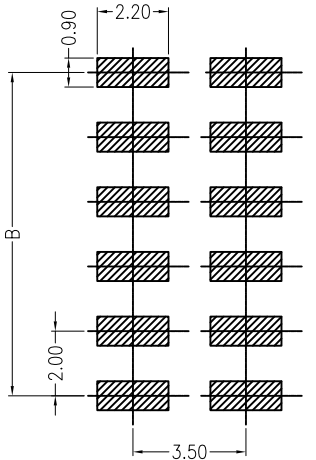
广东科斯达电子科技有限公司 GUANG DONG KE SI DA ELECTRONIC TECHNOLOGY CO., LTD.		TITLE: 2.0mm pitch 90°Wafe DIP type	
		PART NO.: L2004AW-2**-F8MB2-P	
GENERAL TOLERANCE		USE: CUSTOMER	
X. ± 0.50	X. $\pm 5^{\circ}$	APPD: Shaojinghe	
X.X ± 0.30	X.X $\pm 2^{\circ}$	CHKD: Fangsongle	
X.XX ± 0.20	X.XX $\pm 1^{\circ}$	DR: Zenglingqing	
UNITS: mm		SCALE: 1 : 1	SHEET: 1 / 1

REV	DESCRIPTION	DESIGN	DATE
A	NEW RELEASE	Chenzhiming	2021/08/25

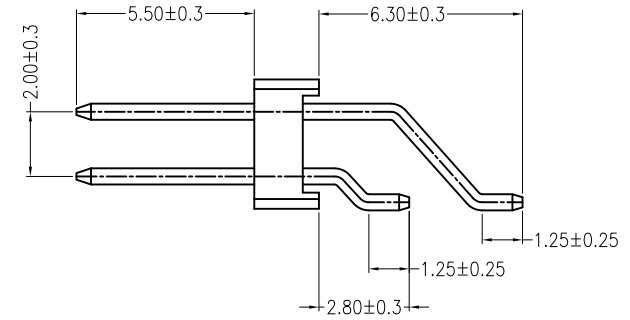


Specifications:

Contact resistance: $\leq 60\text{m}\Omega$
 Insulation resistance: $\geq 100\text{M}\Omega$
 Rated voltage: 275V AC DC
 Rated current: 1.0A AC DC
 Withstand Voltage: 500V AC/minute
 Temperature Range: $-40^{\circ}\text{C} \sim +105^{\circ}\text{C}$
 Housing: LCP UL94V-0, Natural (Beige)
 Contacts: Brass/Matte Sn-plated



RECOMMENDED PCB LAYOUT
 TOLERANCE ± 0.05



ORDER INFORMATION:

L2004AWR-2-F8MB2-R-2**

PART No.		SPECIAL CODE:	2=5.50*6.30
No.OF CIRCUITS:		PACKAGING:	P=PE
202~208		Metal code:	2=BRASS
PLASTIC MATERIAL:		PLATING:	B=MATTE Sn
F8M=LCP			

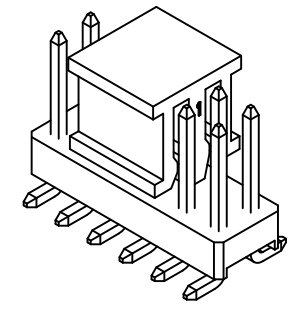
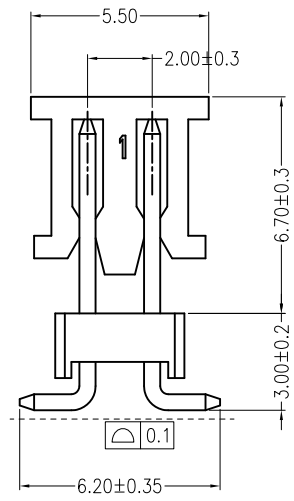
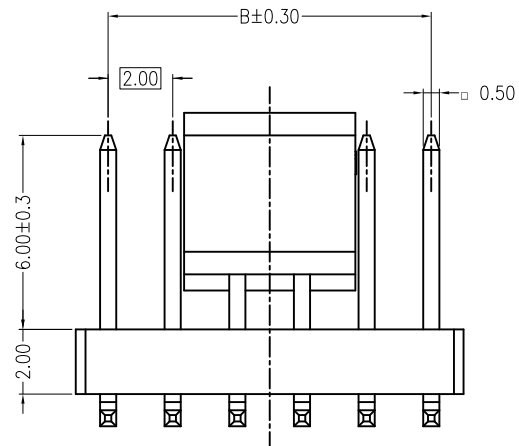
PIN.	DIM A	DIM B
2*2	4.0	2.0
2*3	6.0	4.0
2*4	8.0	6.0
2*5	10.0	8.0
2*6	12.0	10.0
2*7	14.0	12.0
2*8	16.0	14.0

 **广东科斯达电子科技有限公司**
 GUANG DONG KE SI DA ELECTRONIC TECHNOLOGY CO., LTD.

GENERAL TOLERANCE		USE:
X. ± 0.50	X. $\pm 5^{\circ}$	CUSTOMER
X.X ± 0.30	X.X $\pm 2^{\circ}$	APPD: Shaojinghe
X.XX ± 0.20	X.XX $\pm 1^{\circ}$	CHKD: Jiangjianyin
UNITS: mm		DR: Chenzhiming

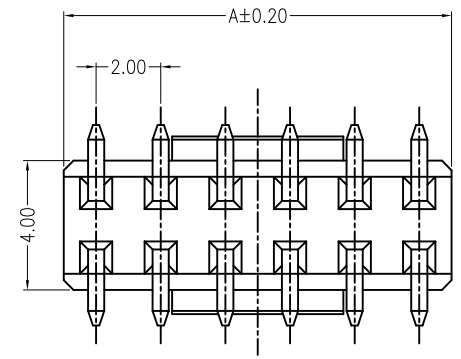
TITLE:	
2.0mm pitch 90°Wafe SMT type	
PART NO.:	
L2004AWR-2**-F8MB2-R-2	
DWG NO.:	
GCKH-2378	
SCALE	SHEET
1 : 1	1 / 1

REV	DESCRIPTION	DESIGN	DATE
A	NEW RELEASE	Chenzhiming	2021/08/25



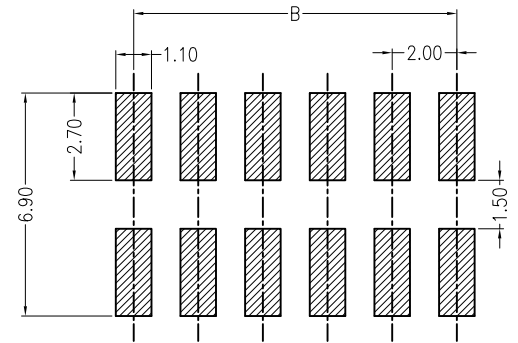
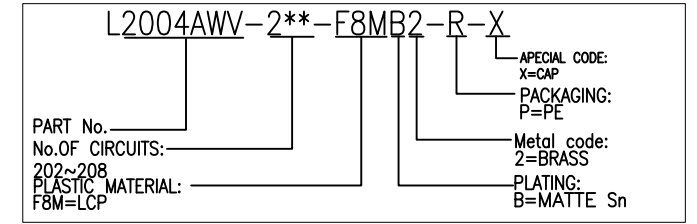
Specifications:

- Contact resistance: $\leq 60\text{m}\Omega$
- Insulation resistance: $\geq 100\text{M}\Omega$
- Rated voltage: 275V AC DC
- Rated current: 1.0A AC DC
- Withstand Voltage: 500V AC/minute
- Temperature Range: $-40^{\circ}\text{C} \sim +105^{\circ}\text{C}$
- Housing: LCP UL94V-0, Natural (Beige)
- Cap: LCP UL94V-0, Natural (Beige)
- Contacts: Brass/Matte Sn-plated



PIN.	DIM A	DIM B
2*2	4.0	2.0
2*3	6.0	4.0
2*4	8.0	6.0
2*5	10.0	8.0
2*6	12.0	10.0
2*7	14.0	12.0
2*8	16.0	14.0

ORDER INFORMATION:



ROMMENDED PCB LAYOUT
TOLERANCE ± 0.05

广东科斯达电子科技有限公司 GUANG DONG KE SI DA ELECTRONIC TECHNOLOGY CO., LTD.		TITLE: 2.0mm pitch 180°Wafe SMT type	
		PART NO.: L2004AWV-2**-F8MB2-R-X	
GENERAL TOLERANCE		USE: CUSTOMER	
X. ± 0.50	X. $\pm 5^{\circ}$	APPD: Shaojinghe	
X.X ± 0.30	X.X $\pm 2^{\circ}$	CHKD: Jiangjianyin	
X.XX ± 0.20	X.XX $\pm 1^{\circ}$	DR: Chenzhiming	
UNITS: mm		SCALE 1 : 1	SHEET 1 / 1