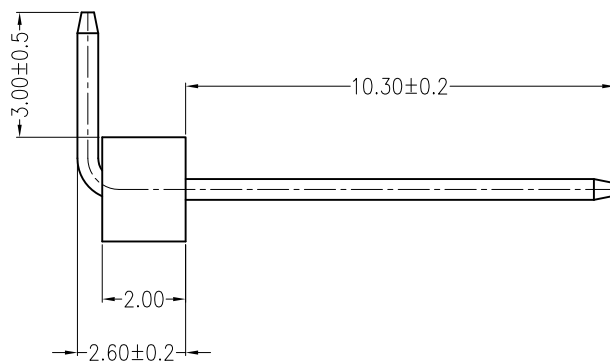
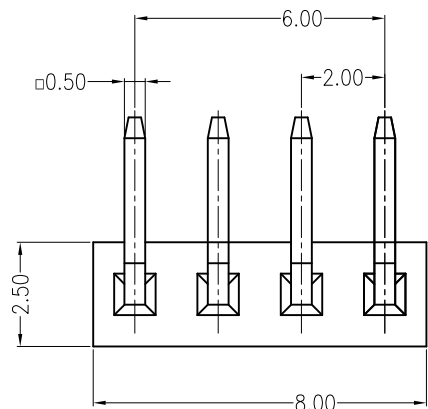


Customized products

MOQ

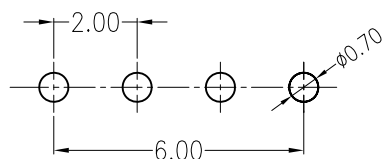
50000PCS

REV	DESCRIPTION	DESIGN	DATE
A0	NEW RELEASE	Jiangjanyin	2020/09/25



**Specifications:**

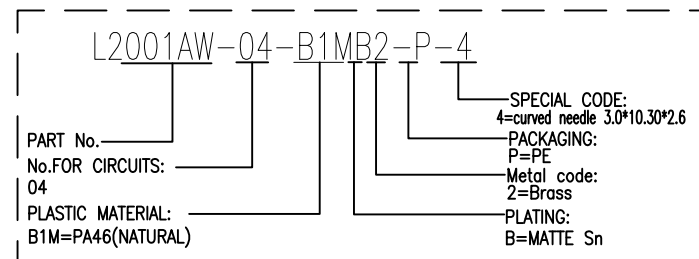
Poles: 02 to 04  
 Contact resistance:  $\leq 30m\Omega$   
 Insulation resistance:  $\geq 1000M\Omega$   
 Rated voltage: 275V AC DC  
 Rated current: 1.0A AC DC  
 Withstand Voltage: 1000V AC/minute  
 Temperature Range:  $-40^{\circ}C \sim +110^{\circ}C$   
 Housing: PA46 UL94V-0, Natural (Beige)  
 Contacts: Brass/MATTE Sn-plated



Board Layout

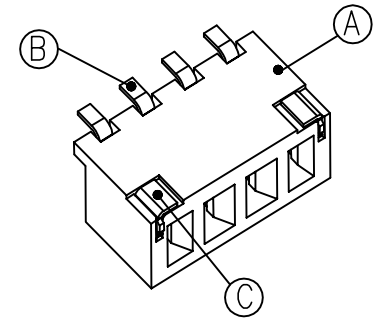
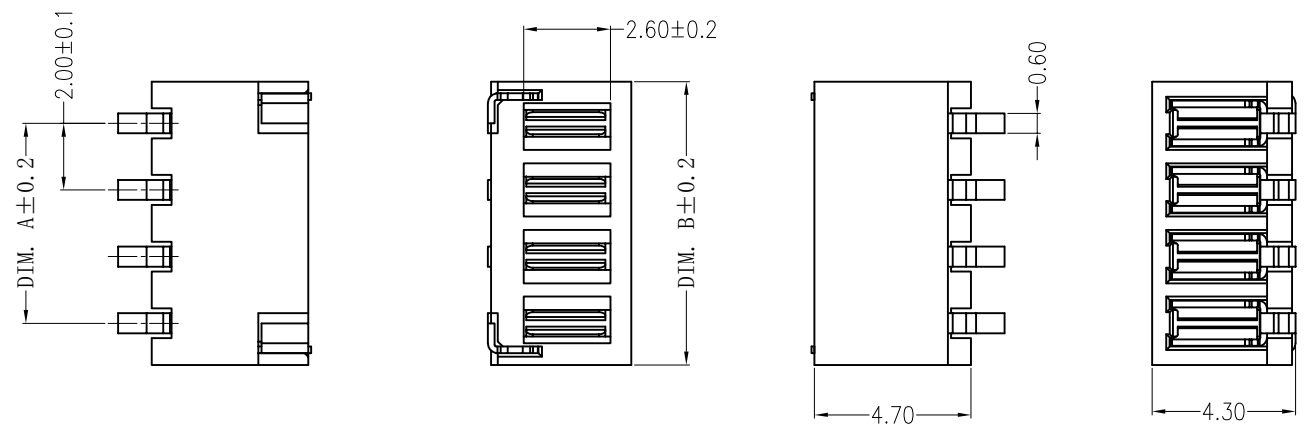
General Tolerance:  $\pm 0.05$

**ORDER INFORMATION:**

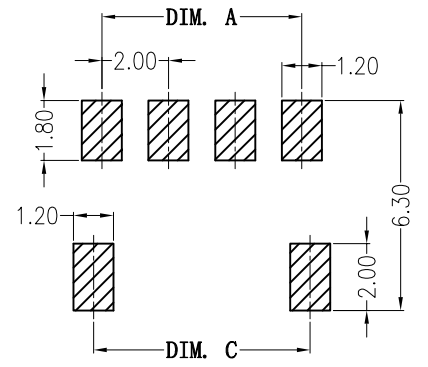


<b>广东科斯达电子科技有限公司</b> GUANG DONG KE SI DA ELECTRONIC TECHNOLOGY CO., LTD.		TITLE: 2.0mmpitch 90°Wafe dip type	
		PART NO.: L2001AW-04-B1MB2-P-4	
GENERAL TOLERANCE		USE: CUSTOMER	
X. $\pm 0.50$	X. $\pm 5^{\circ}$	APPD: Liuzhenling	
X.X $\pm 0.30$	X.X $\pm 2^{\circ}$	CHKD: Wangliang	
X.XX $\pm 0.20$	X.XX $\pm 1^{\circ}$	DR: Jiangjanyin	
UNITS: mm		SCALE 1 : 1	SHEET 1 / 1

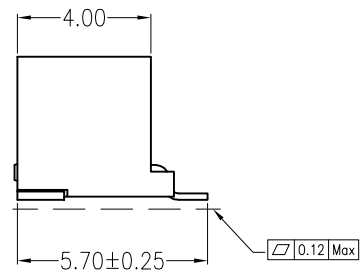
REV	ECN No.	DESCRIPTION	DESIGN	DATE
A0	-	Release	吴丹平	2017.10.26



Circuit	Dimensions (mm)		
	DIM. A	DIM. B	DIM. C
03	4.00	6.50	4.50
04	6.00	8.50	6.50

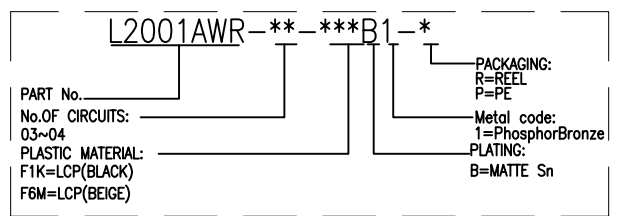


SUGGESTED PCB LAYOUT




**主要技术参数 Main Specifications**

线 数 (Poles): 03 to 04  
 接触电阻 (Contact resistance):  $\leq 30m\Omega$   
 绝缘电阻 (Insulation resistance):  $\geq 1000M\Omega$   
 额定电压 (Rated voltage): 275V AC DC  
 额定电流 (Rated current): 1.0A AC DC  
 耐 电压 (Withstand Voltage): 1000V AC/minute  
 温度范围 (Temperature Range) :  $-40^{\circ}C \sim +120^{\circ}C$



C	CONTACT	2 PCS	PhosphorBronze	MATTE Sn-Tip
B	COVER	2~4 PCS	PhosphorBronze	MATTE Sn-Tip
A	HOUSING	1 PCS	LCP	UL 94V-0, COLOR:BLACK/BEIGE
ITEM	COMPONENT	Q'TY	MATERIAL	FINISH


**广东科斯达电子科技有限公司**  
 GUANG DONG KE SI DA ELECTRONIC TECHNOLOGY CO., LTD.

**TITLE:** 2.0Pitch 90°wafer smt type  
**PART NO.:** L2001AWR-\*\*-\*\*\*B1-\*  
**DWG NO.:** GCCP-0415  
**SCALE:** 1 : 1  
**SHEET:** 1 / 1

**USE:** CUSTOMER  
**APPD:** 邵敬和  
**CHKD:** 田峰  
**DR:** 蒋建银

**UNITS:** mm