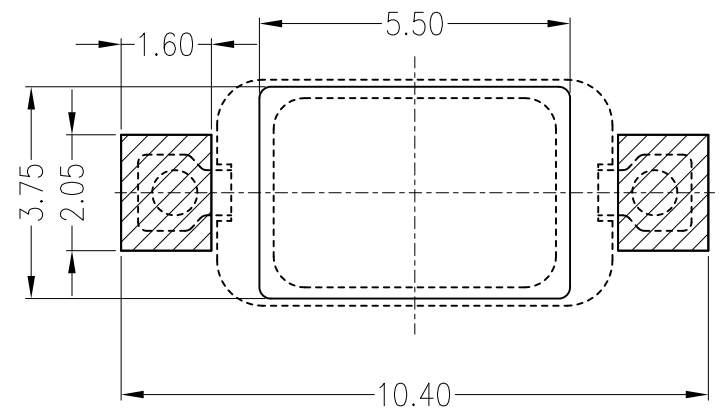
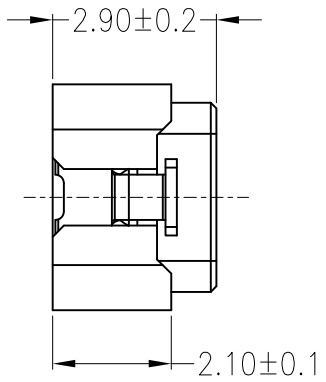
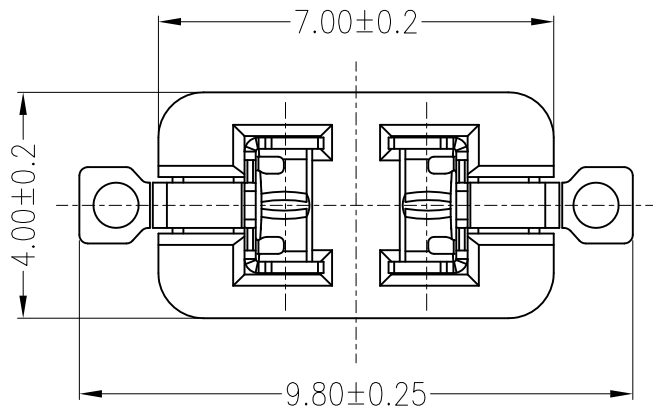
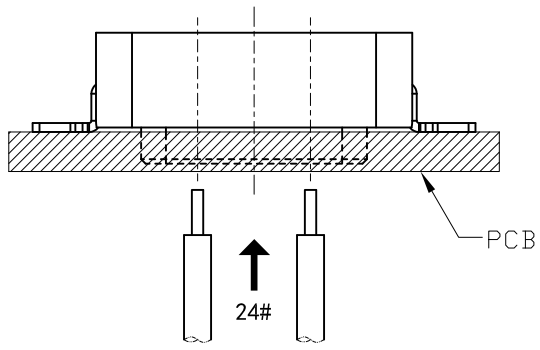
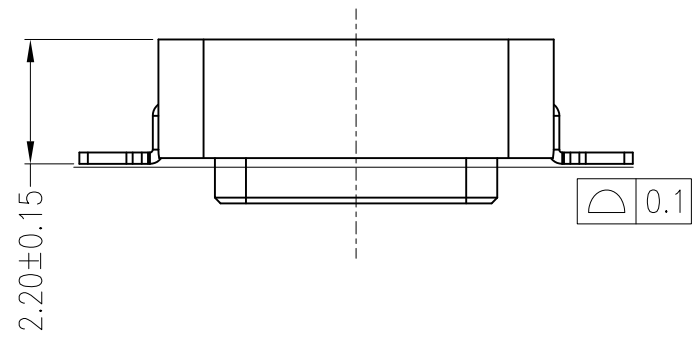


REV	DESCRIPTION	DESIGN	DATE
A	NEW RELEASE	Lingqing	2020/09/22



Board Layout
General Tolerance: ±0.05

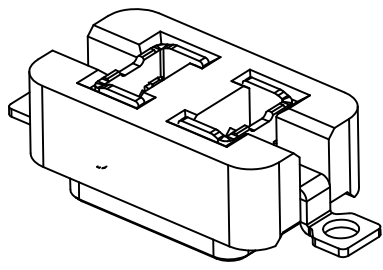
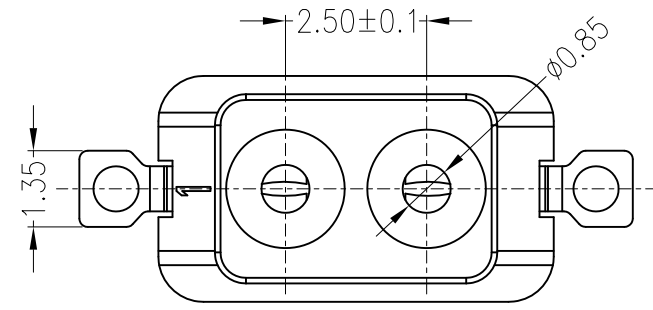
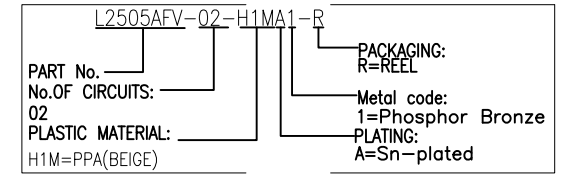


Assembly Layout

Specifications:

- Contact resistance: ≤20mΩ
- Insulation resistance: ≥1000MΩ
- Rated voltage: 250V AC DC
- Rated current: 1.0A AC DC
- Withstand Voltage: 1000V AC/minute
- Temperature Range: -40°C ~ +120°C
- Housing: PPA, Natural (Beige)
- Contacts: Phosphor Bronze /Sn-plated

ORDER INFORMATION:



广东科斯达电子科技有限公司 GUANG DONG KE SI DA ELECTRONIC TECHNOLOGY CO., LTD.		TITLE: 2.5mmPITCH 180°WAFER SMT TYPE	
		PART NO.: L2505AFV-02-H1MA1-R	
GENERAL TOLERANCE		USE: CUSTOMER	
X. ±0.50	X. ±5°	APPD: WangFeng	
X.X ±0.30	X.X ±2°	CHKD: Shaojinghe	
X.XX ±0.20	X.XX ±1°	DR: Zenglingqing	
UNITS: mm		SCALE 1 : 1	SHEET 1 / 1