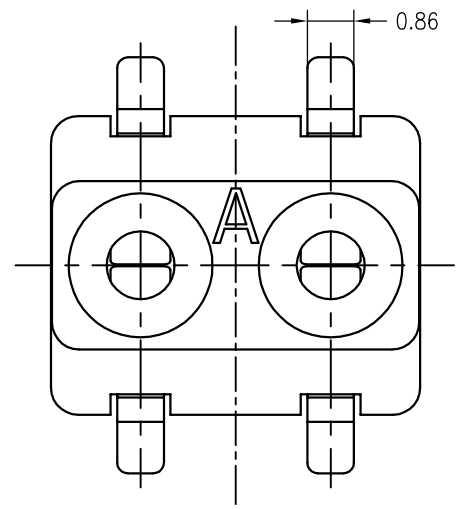
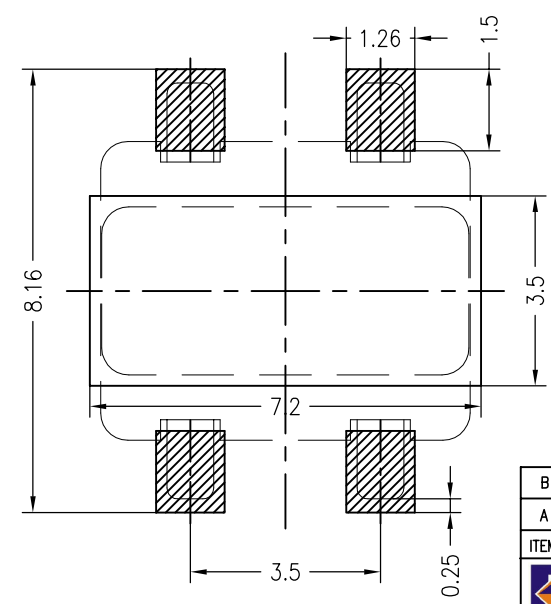
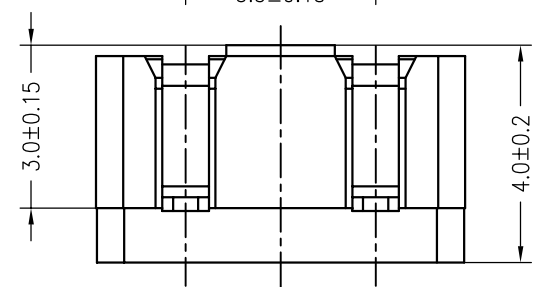
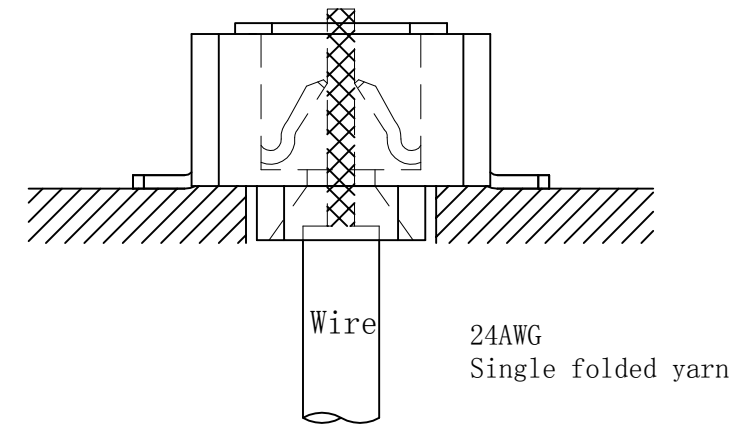
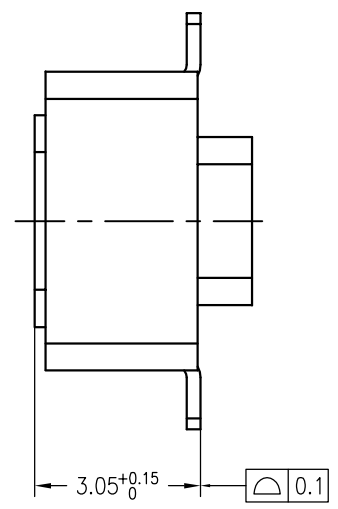
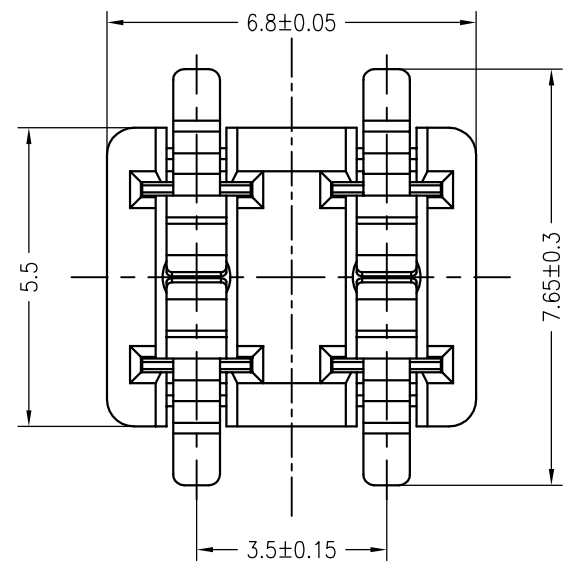


REV	DESCRIPTION	DESIGN	DATE
A0	Release	吴丹平	2017.03.23

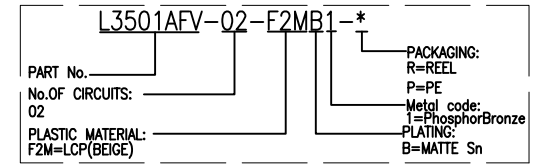


Board Layout
General Tolerance: ±0.05

主要技术参数 Main Specifications

- 线数 (Poles): 02
- 接触电阻 (Contact resistance): ≤30mΩ
- 绝缘电阻 (Insulation resistance): ≥1000MΩ
- 额定电压 (Rated voltage): 275V AC DC
- 额定电流 (Rated current): 1.0A AC DC
- 耐电压 (Withstand Voltage): 1000V AC/minute
- 温度范围 (Temperature Range): -40℃ ~ +130℃

ORDER INFORMATION:



B	CONTACT	4 PCS	PhosphorBronze	MATTE Sn-plated
A	HOUSING	1 PCS	LCP	UL 94V-0, COLOR:BEIGE
ITEM	COMPONENT	Q'TY	MATERIAL	FINISH

广东科斯达电子科技有限公司
GUANG DONG KE SI DA ELECTRONIC TECHNOLOGY CO.,LTD.

TITLE: -

PART NO.: L3501AFV-02-F2MB1-*

DWG NO.: GCCP-0472

SCALE: 1 : 1 SHEET: 1 / 1

X.±0.5	X.±5'	USE: CUSTOMER
.X±0.3	.X±2'	APPD: 邵敬和
.XX±0.25	.XX±1'	CHKD: 田峰
---	---	DR: 吴丹平