

A

B

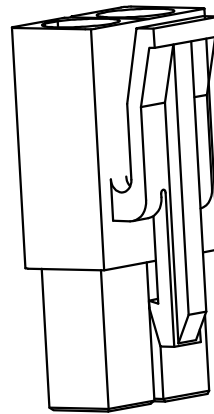
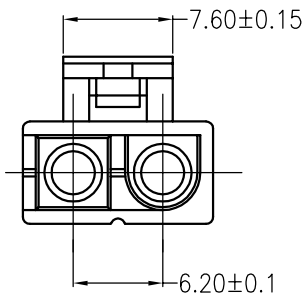
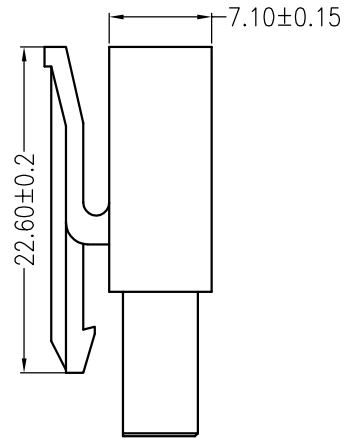
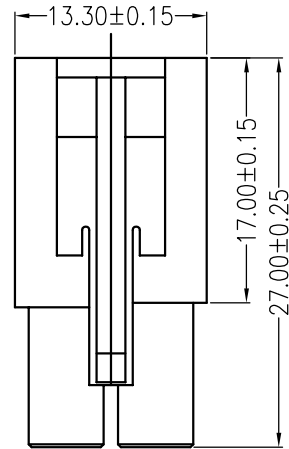
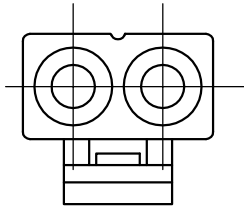
C

D

E

F

REV	ECN No.	DESCRIPTION	DESIGN	DATE
A0		NEW RELEASE	蒋建银	2019.01.17



主要技术参数 Main Specifications

线数 (Poles): 02

额定电阻 (Contact resistance): $\leq 10m\Omega$

绝缘电阻 (Insulation resistance): $\geq 1000M\Omega$

额定电压 (Rated voltage): 300 V AC DC

额定电流 (Rated current): 15A AC DC

耐电压 (Withstand Voltage): 1800V AC/minute

温度范围 (Temperature Range): $-25^{\circ}C \sim +85^{\circ}C$

ORDER INFORMATION:

C6201P-02-A0T-P

PART No.

No. OF CIRCUITS:

02

PACKAGING:
P=PE

PLASTIC MATERIAL:
A0T=PA66 (Transparent)

C				
B				
A	HOUSING	1 PCS	PA66	COLOR:(Transparent)
ITEM	COMPONENT	Q'TY	MATERIAL	FINISH



广东科斯达电子科技有限公司
GUANG DONG KE SI DA ELECTRONIC TECHNOLOGY CO., LTD.

TITLE: C6201P
6.2mm PITCH HOUSING

X.±0.5	X.±5'	USE: CUSTOMER	PART NO.:	
.X±0.3	.X±2'		C6201P-02-A0T-P	
.XX±0.25	.XX±1'	APPD: 邵敬和	DWG NO.:	
--	--	CHKD: 田峰	GCCP-0617	
⊕	◁	UNITS: mm	DR: 蒋建银	SCALE 1 : 1
				SHEET 1 / 1

A

B

C

D

E

F

1

2

3

4

5

1

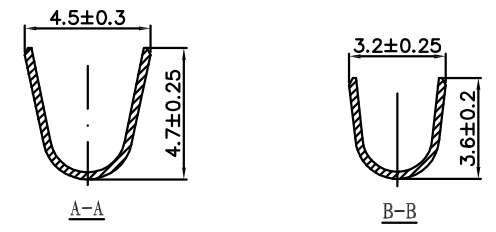
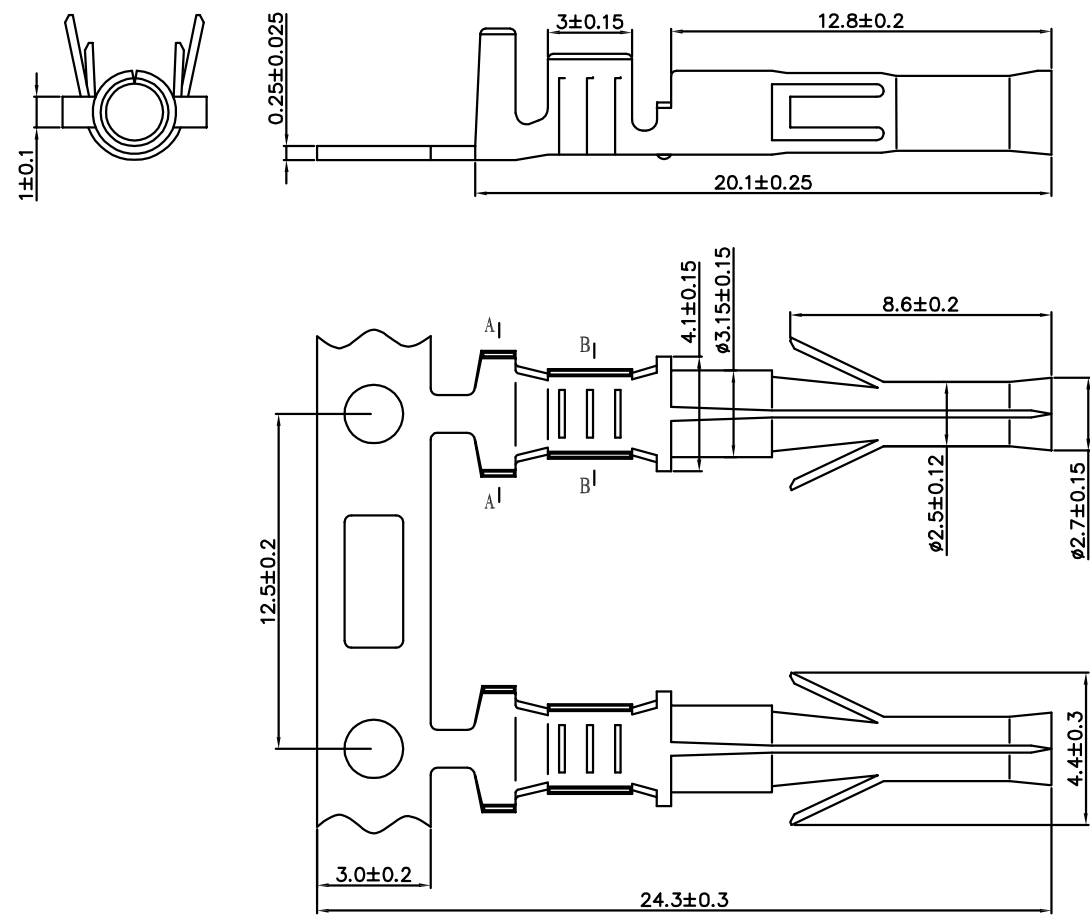
2

3

4

5

REV	ECN No.	DESCRIPTION	DESIGN	DATE
A0		Release	蒋建银	2019.01.17



Ordering Information & Specification:

Part No	Wire Range	Insulation O.D.	Material	Finish	Qty/Reel
C6201PT-PA	AWG #22~#16	1.7~3.4mm	Phosphor bronze	Sn-plated	

广东科斯达电子科技有限公司 GUANG DONG KE SI DA ELECTRONIC TECHNOLOGY CO., LTD.			TITLE: -	
X.±0.5	X.±5'	USE: CUSTOMER	PART NO.:	
.X±0.3	.X±2'		C6201PT-PA	
.XX±0.25	.XX±1'	APPD: 邵敬和	DWG NO.:	
--	--	CHKD: 田峰	GCDZ-0044	
⊕	∠	UNITS: mm	DR: 蒋建银	SCALE: 1:1
				SHEET: 1/1

A

B

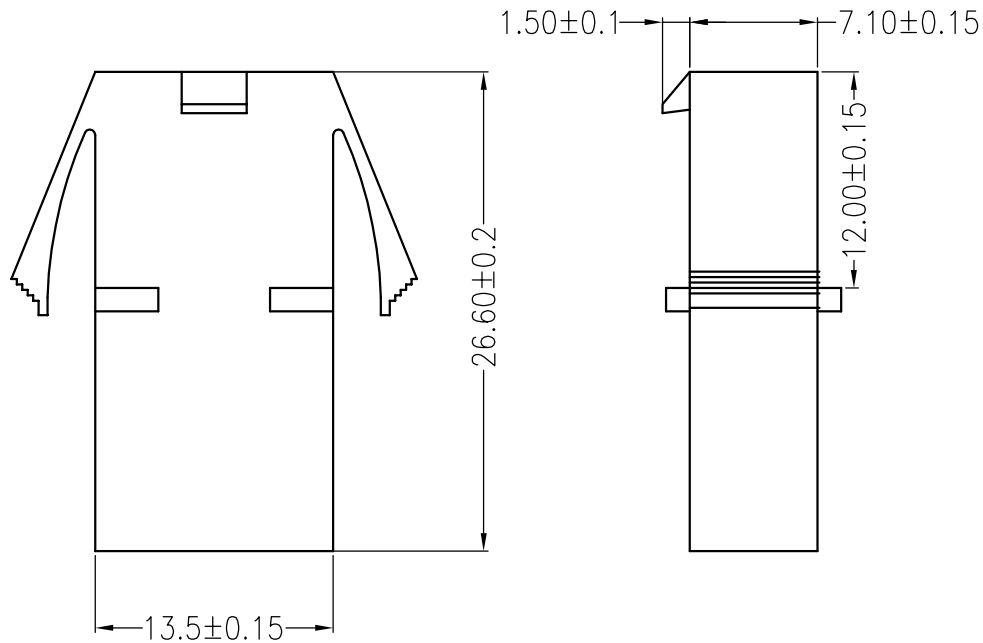
C

D

E

F

REV	ECN No.	DESCRIPTION	DESIGN	DATE
A0		NEW RELEASE	蒋建银	2019.01.17



主要技术参数 Main Specifications

线数 (Poles): 02

额定电阻 (Contact resistance): $\leq 10m\Omega$

绝缘电阻 (Insulation resistance): $\geq 1000M\Omega$

额定电压 (Rated voltage): 300 V AC DC

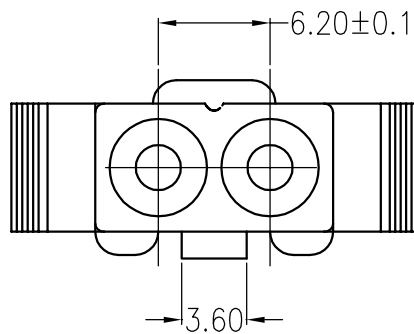
额定电流 (Rated current): 15A AC DC




耐电压 (Withstand Voltage): 1800V AC/minute

温度范围 (Temperature Range): $-25^{\circ}C \sim +85^{\circ}C$

ORDER INFORMATION:

C6201R-02-A0T-P	
PART No. _____	PACKAGING: P=PE
No. OF CIRCUITS: _____	PLASTIC MATERIAL: A0T=PA66 (Transparent)
02	



C				
B				
A	HOUSING	1 PCS	PA66	COLOR:(Transparent)
ITEM	COMPONENT	Q'TY	MATERIAL	FINISH
 广东科斯达电子科技有限公司 GUANG DONG KE SI DA ELECTRONIC TECHNOLOGY CO., LTD.				TITLE: C6201R 6.2mm PITCH HOUSING
X.±0.5	X.±5'	USE:	PART NO.:	
.X±0.3	.X±2'	APPD:	C6201R-02-A0T-P	
.XX±0.25	.XX±1'	CHKD:	DWG NO.:	
--	--	DR:	GCCP-0616	
		UNITS: mm	蒋建银	SCALE 1 : 1
				SHEET 1 / 1

A

B

C

D

E

F

1

2

3

4

5

1

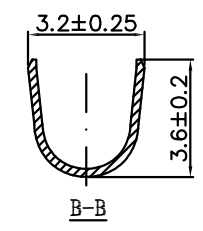
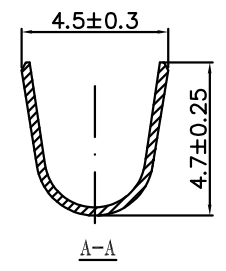
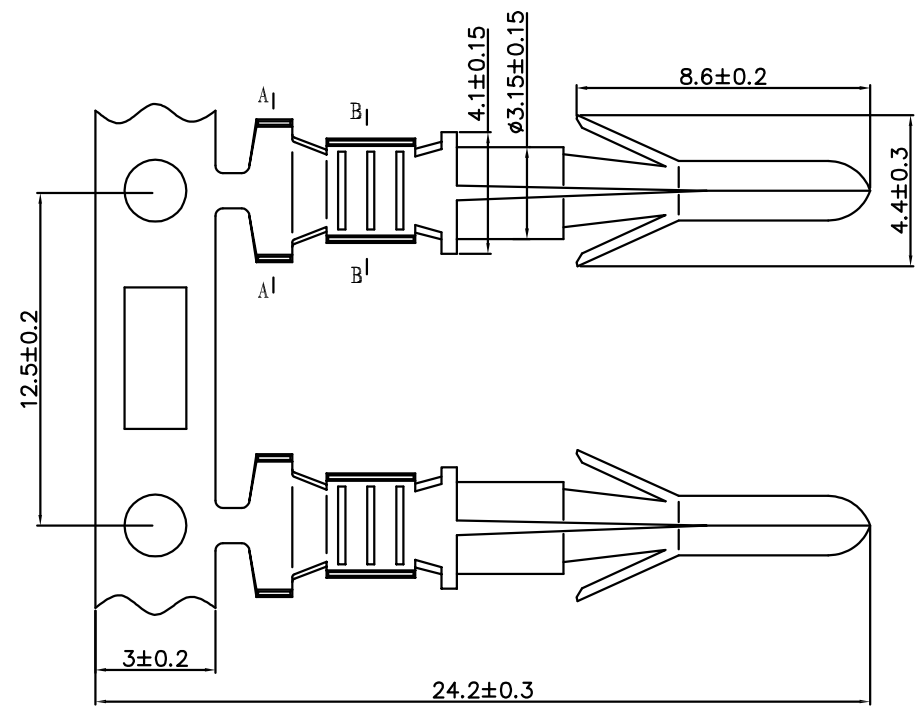
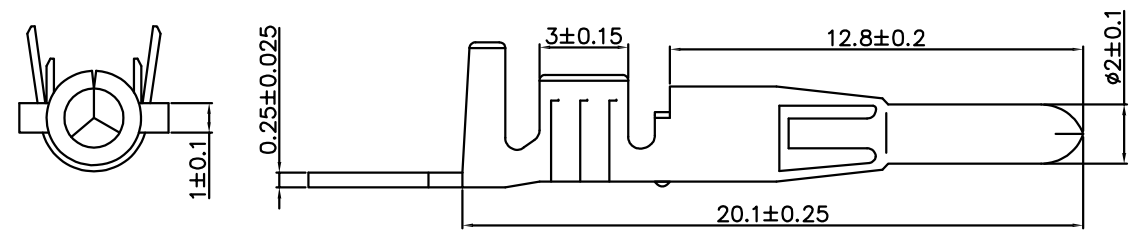
2

3

4


5

REV	ECN No.	DESCRIPTION	DESIGN	DATE
A0		Release	蒋建银	2019.01.17



Ordering Information & Specification:

Part No	Wire Range	Insulation O.D.	Material	Finish	Qty/Reel
C6201RT-PA	AWG #22~#16	1.7~3.4mm	Phosphor bronze	Sn-plated	

 **广东科斯达电子科技有限公司**
GUANG DONG KE SI DA ELECTRONIC TECHNOLOGY CO., LTD.

X.±0.5	X.±5'	USE: CUSTOMER	PART NO.: C6201RT-PA
.X±0.3	.X±2'		
.XX±0.25	.XX±1'	CHKD: 田峰	DWG NO.: GCDZ-0043
⊕	∠	UNITS: mm	DR: 蒋建银

TITLE: -	
SCALE 1 : 1	SHEET 1 / 1