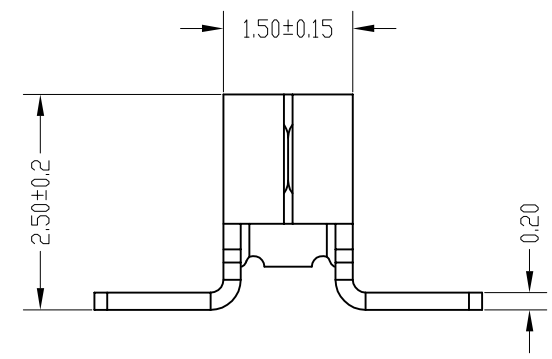
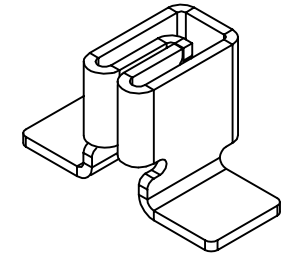
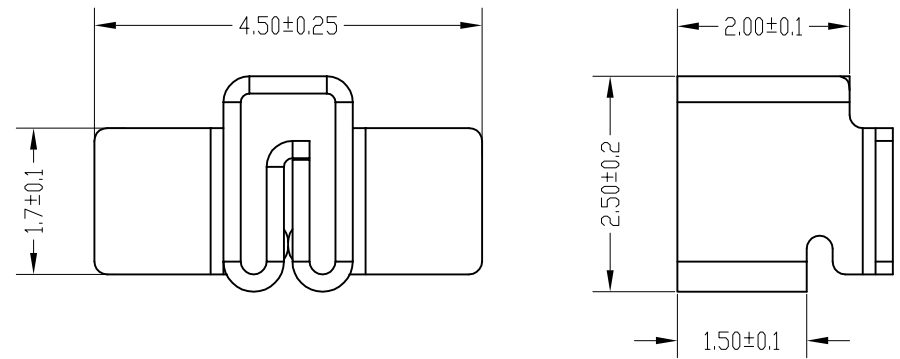


REV	ECN No.	DESCRIPTION	DESIGN	DATE
A0		Release		2018.05.18



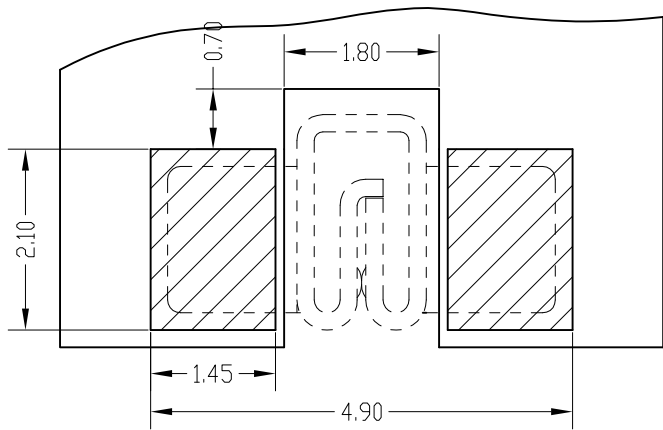
主要技术参数 Main Specifications

板 厚 (thickness): 1.0mm  
 接触电阻 (Contact resistance):  $\leq 20m\Omega$   
 额定电压 (Rated voltage): 275V AC DC  
 额定电流 (Rated current): 1.0A AC  
 温度范围 (Temperature Range) :  $-45^{\circ}C \sim +125^{\circ}C$

**ORDER INFORMATION:**

**L082K-01-000B1-R**

PART No.		PACKAGING:	
No. FOR CIRCUITS:		R=REEL	
01		METAL CODE:	
PLASTIC MATERIAL:		1=PhosphorBronze	
000=No plastic parts		PLATING:	
		B=MATTE Sn	



**Board Layout**

C				
B				
A	CONTACT	1 PCS	PhosphorBronze	MATTE Sn-plated
ITEM	COMPONENT	Q'TY	MATERIAL	FINISH

<b>广东科斯达电子科技有限公司</b> GUANG DONG KE SI DA ELECTRONIC TECHNOLOGY CO., LTD.		TITLE: L082K	
X.±0.5	X.±5'	USE:	PART NO.:
.X±0.3	.X±2'	CUSTOMER	L082K-01-000B1-R
.XX±0.25	.XX±1'	APPD: 蒋建银	DWG NO.:
--	--	CHKD: 田峰	GCKH-1178
⊕	⚡	DR: 邵敬和	SCALE
	UNITS: mm		1 : 1
			SHEET
			1 / 1