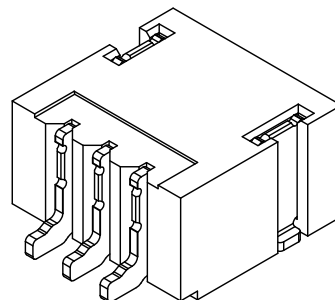
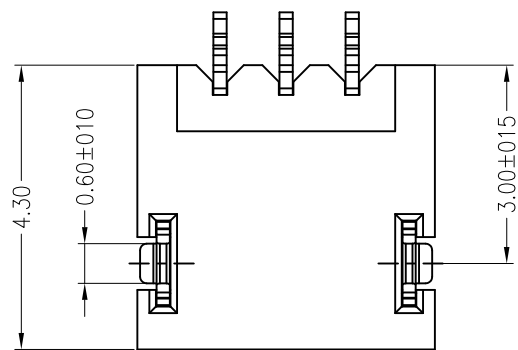
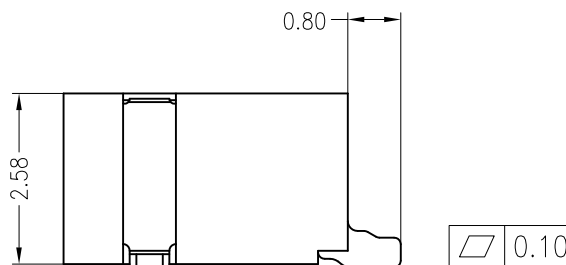
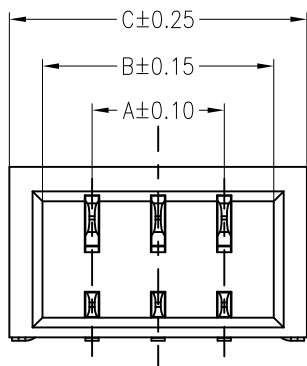


REV	DESCRIPTION	DESIGN	DATE
A0	NEW RELEASE	Steven	2019/09/18

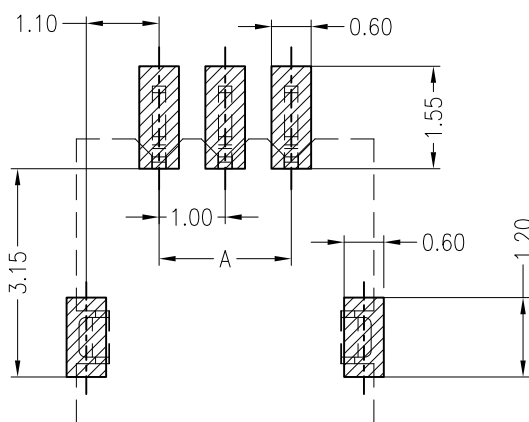
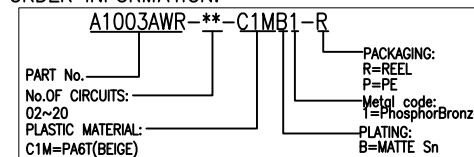


Specifications:

- Poles: 02 to 20
- Contact resistance: $\leq 20m\Omega$
- Insulation resistance: $\geq 100M\Omega$
- Rated voltage: 125V AC DC
- Rated current: 1.0A AC DC
- Withstand Voltage: 500V AC/minute
- Temperature Range: $-25^{\circ}C \sim +85^{\circ}C$
- Housing: PA6T UL94V-0, Natural
- Contacts: Phosphor Bronze/Matte Sn-plated
- Solder Tabs: Brass/Matte Sn-plated



ORDER INFORMATION:



PCB LAYOUT(Tolerance:±0.05)

孔位	尺寸	A	B	C	孔位	尺寸	A	B	C
2P		1.00	2.50	3.50	12P		11.00	12.5	13.5
3P		2.00	3.50	4.50	13P		12.00	13.5	14.5
4P		3.00	4.50	5.50	14P		13.00	14.5	15.5
5P		4.00	5.50	6.50	15P		14.00	15.5	16.5
6P		5.00	6.50	7.50	16P		15.00	16.5	17.5
7P		6.00	7.50	8.50	17P		16.00	17.5	18.5
8P		7.00	8.50	9.50	18P		17.00	18.5	19.5
9P		8.00	9.50	10.5	19P		18.00	19.5	20.5
10P		9.00	10.50	11.5	20P		19.00	20.5	21.5
11P		10.00	11.50	12.5					

广东科斯达电子科技有限公司
GUANG DONG KE SI DA ELECTRONIC TECHNOLOGY CO., LTD.

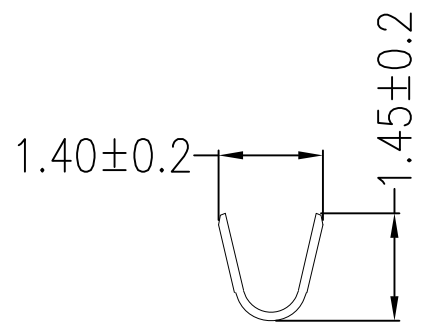
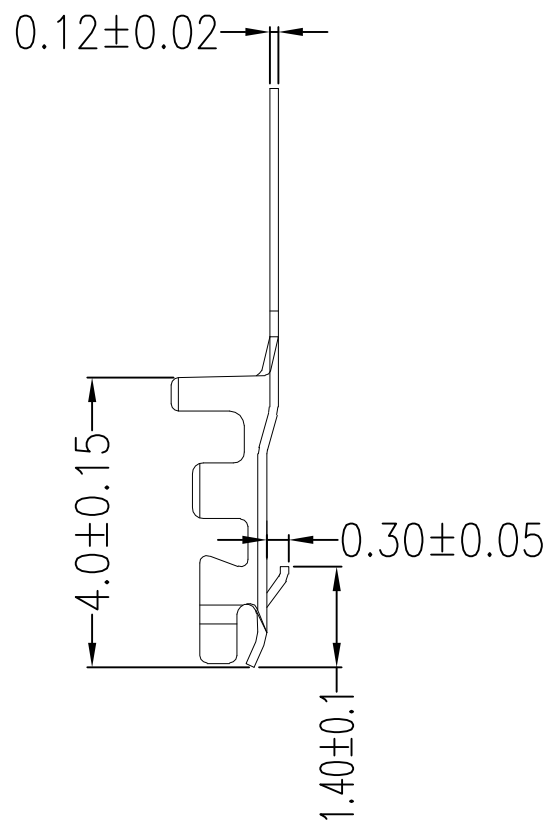
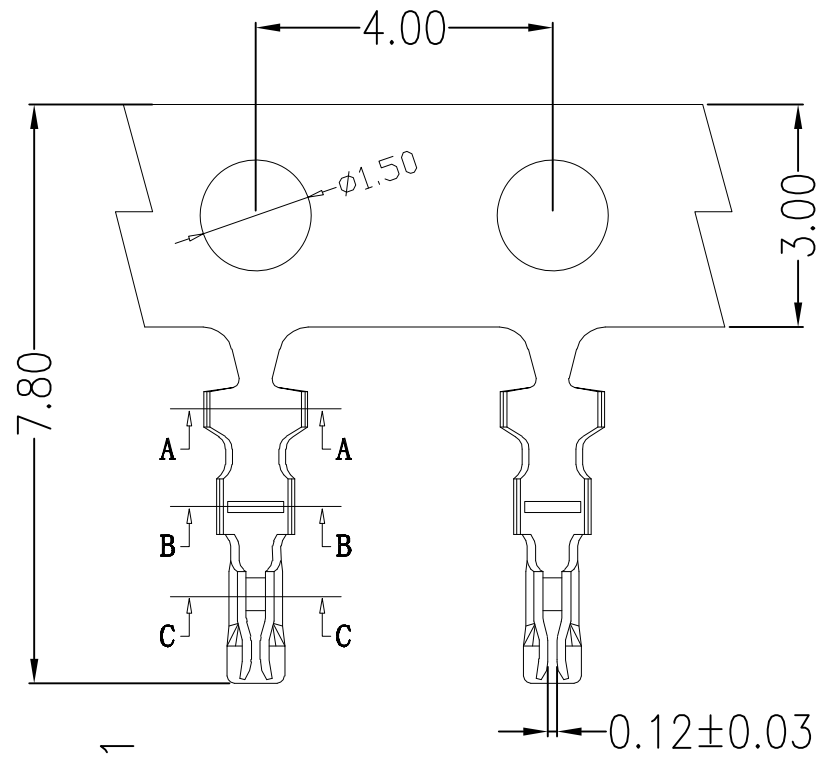
TITLE:
1.0 Pitch Wafer 90° SMT

GENERAL TOLERANCE	
X. ±0.50	X. ±5°
X.X ±0.30	X.X ±2°
X.XX ±0.20	X.XX ±1°

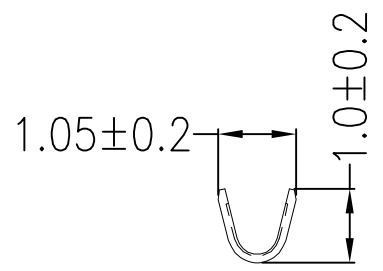
USE: CUSTOMER
APPD: Wangliang
CHKD: Liuzhengling
DR: Steven

PART NO.: A1003AWR-**-C1MB1-R	
DWG NO.: GCCP-0689	
SCALE 1 : 1	SHEET 1 / 1

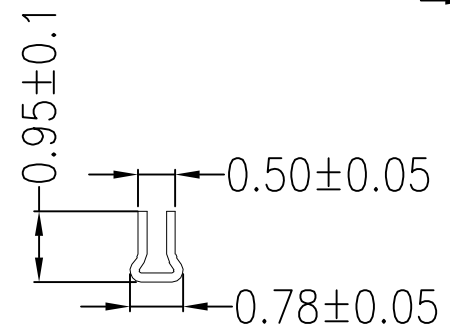
REV	ECN No.	DESCRIPTION	DESIGN	DATE
A0		Release	蒋建银	2018.05.30



Section A-A


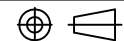


Section B-B



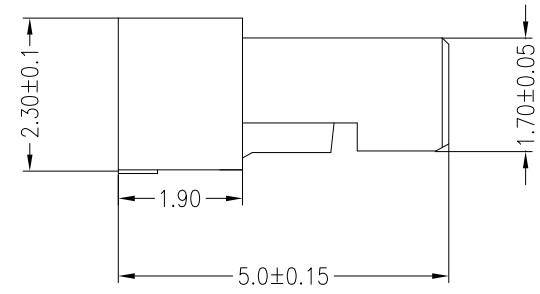
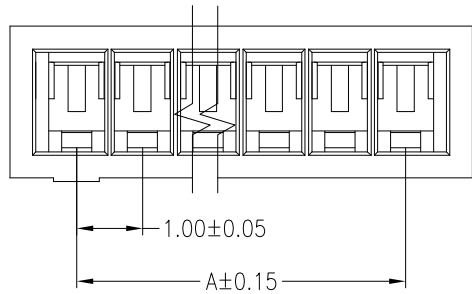
Section C-C

Ordering Information & Specification:

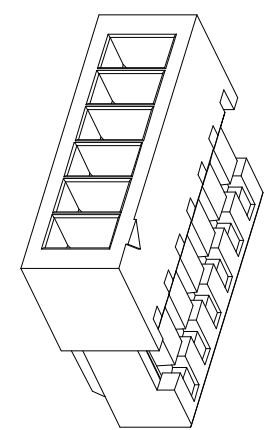
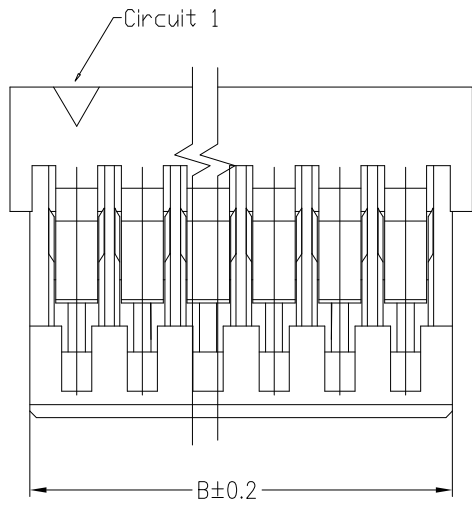
Part No	Wire Range	Insulation O.D.	Material	Finish	Qty/Reel
A1003T-PA	AWG #28~#32	0.4~0.8mm	Phosphor bronze	Sn-plated	
 广东科斯达电子科技有限公司 GUANG DONG KE SI DA ELECTRONIC TECHNOLOGY CO., LTD.				TITLE: NH-T 端子	
X.±0.1	X.±1'	USE:	MANUFACTURE		
.X±0.05	.X±0.5'	APPD:	刘振岭		
.XX±0.01	.XX±0.1'	CHKD:	王亮		
.XXX±0.005	.XXX±0.05'	DR:	蒋建银		
 UNITS: mm		SCALE		SHEET	
		1 : 1		1 / 1	

REV	DESCRIPTION	DESIGN	DATE
A0	NEW RELEASE	Steven	2019/05/09

线数 (N)	尺寸 mm	
	A	B
2	1.00	2.40
3	2.00	3.40
4	3.00	4.40
5	4.00	5.40
6	5.00	6.40
7	6.00	7.40
8	7.00	8.40
9	8.00	9.40
10	9.00	10.40
11	10.00	11.40
12	11.00	12.40
13	12.00	13.40
14	13.00	14.40
15	14.00	15.40



Specifications:
 Poles: 02 to 15
 Contact resistance: $\leq 20m\Omega$
 Insulation resistance: $\geq 100M\Omega$
 Rated voltage: 125V AC DC
 Rated current: 1.0A AC DC
 Withstand Voltage: 500V AC/minute
 Temperature Range: $-25^{\circ}C \sim +85^{\circ}C$
 Housing: PA66 UL94V-0, Natural



ORDER INFORMATION:

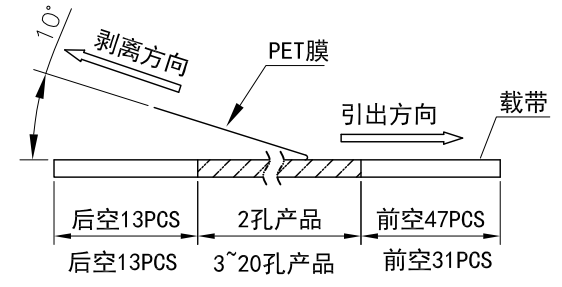
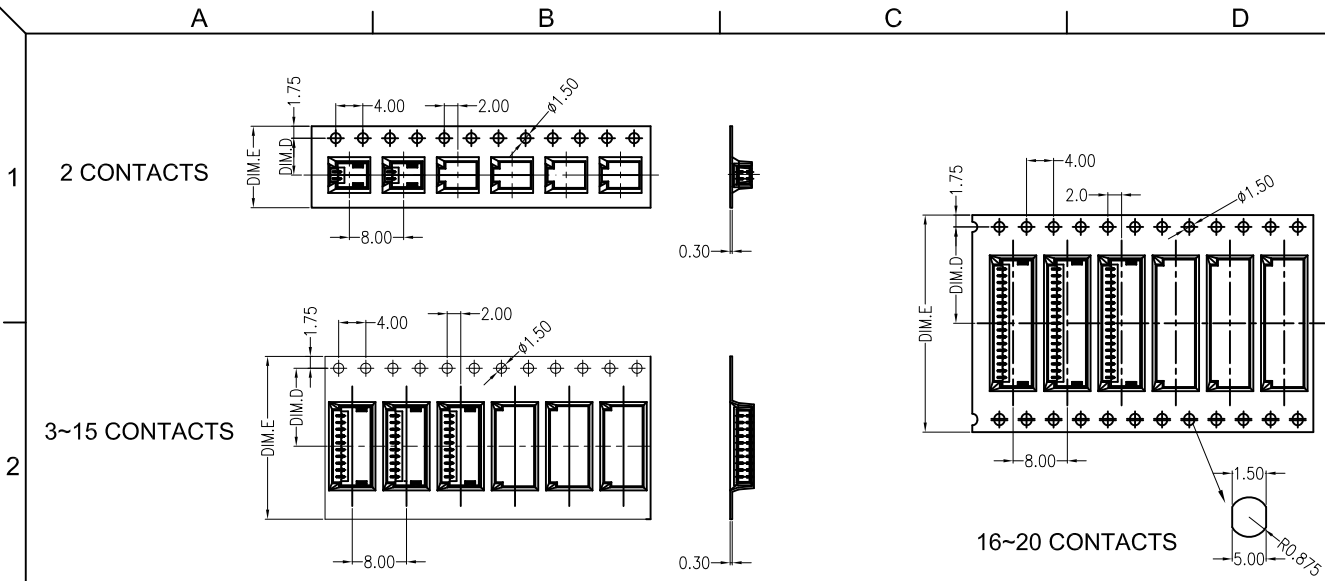
A1003Y-**-A5W-P

PART No. _____
 No.OF CIRCUITS: _____
 ** _____
 PLASTIC MATERIAL: _____
 A5W=PA66(WHITE)

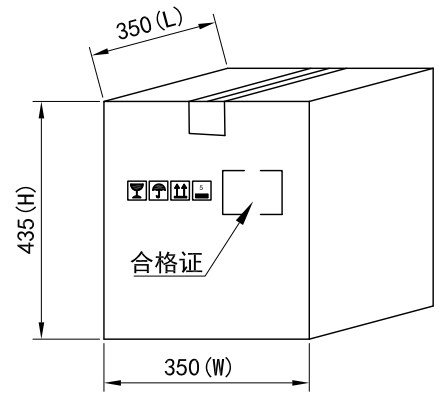
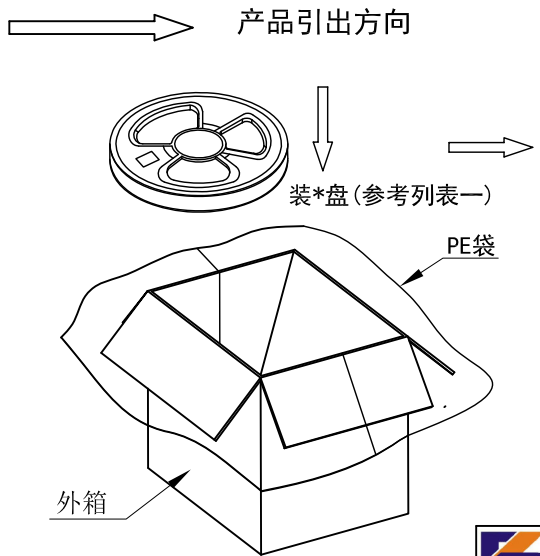
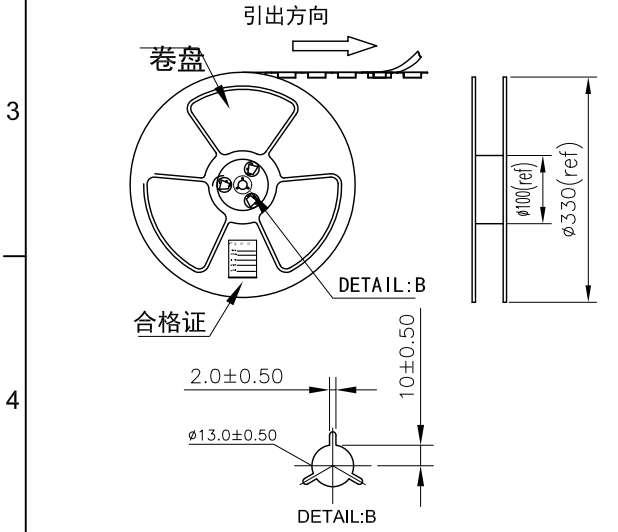
PACKAGING:
 P=PE

广东科斯达电子科技有限公司 GUANG DONG KE SI DA ELECTRONIC TECHNOLOGY CO., LTD.		TITLE: 1.0 Pitch HOUSING	
GENERAL TOLERANCE X. ± 0.50 X. $\pm 5^{\circ}$ X.X ± 0.30 X.X $\pm 2^{\circ}$ X.XX ± 0.20 X.XX $\pm 1^{\circ}$		PART NO.: A1003Y-**-A5W-P	
USE: CUSTOMER APPD: Wangliang CHKD: Zenglingqing		DWG NO.: GCCP-0850	
UNITS: mm		DR: Steven	
		SCALE 1 : 1	
		SHEET 1 / 1	

REV	ECN No.	DESCRIPTION	DESIGN	DATE
A		Release	陈志明	2021.3.12



(PET膜剥离示意图)



列表一

Circuits	DIM. D	DIM. E	Q'ty/Reel	Packing (Reel/Catton)
2 PIN	5.5	12	3000PCS	25/Reel
3~7PIN	7.5	16	2500PCS	20/Reel
8~15PIN	11.5	24	2500PCS	15/Reel
16~20PIN	14.2	32	2500PCS	11/Reel

包装说明:
 1. 把成品包入卷盘中, 每盘装2500PCS(2孔3000PCS), 卷盘上贴上合格证, 将装好产品的卷盘放进外箱中, 外箱内先套一个大PE袋, 外箱上贴贴上合格证。
 2. 所有材料有害物控制需符合RoHS标准。

广东科斯达电子科技有限公司
 GUANG DONG KE SI DA ELECTRONIC TECHNOLOGY CO., LTD.

X.±0.5	X.±'	USE: MANUFACTURE
.X±0.3	.X±'	APPD: 王锋
.XX±0.25	.XX±'	CHKD: 曾令青
--	--	DR: 蒋建银
	UNITS: mm	

TITLE:	
PART NO.: A1003WR卷装规范	
DWG NO.: GCBZ-0689	
SCALE 1 : 1	SHEET 1 / 1