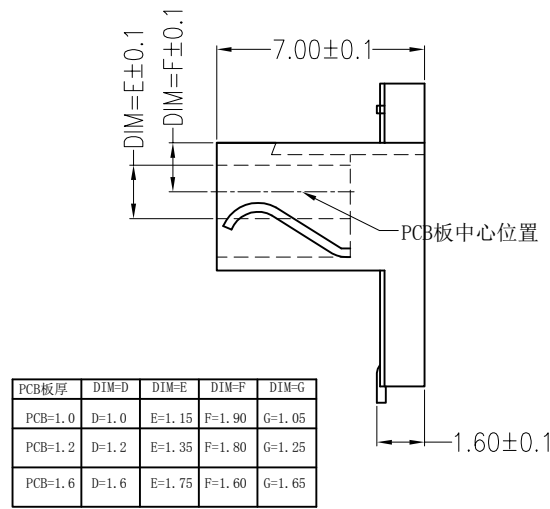
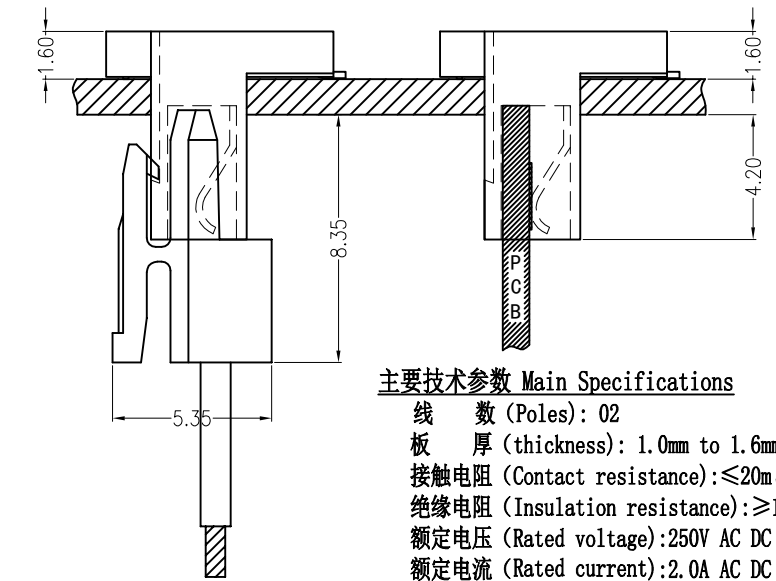
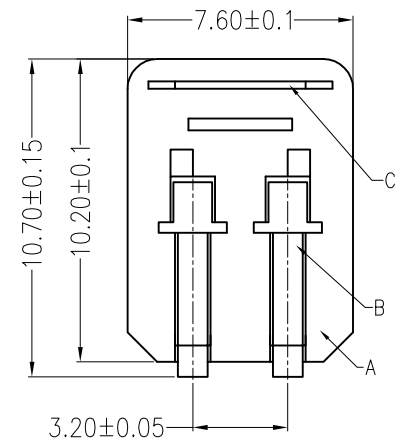


REV	DESCRIPTION	DESIGN	DATE
A0	Release	吴丹平	2017.03.23



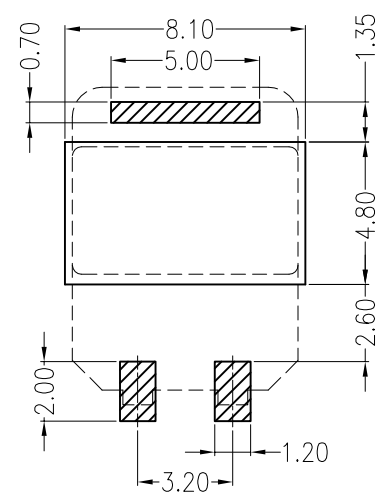
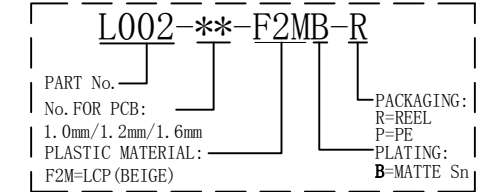
PCB板厚	DIM-D	DIM-E	DIM-F	DIM-G
PCB=1.0	D=1.0	E=1.15	F=1.90	G=1.05
PCB=1.2	D=1.2	E=1.35	F=1.80	G=1.25
PCB=1.6	D=1.6	E=1.75	F=1.60	G=1.65



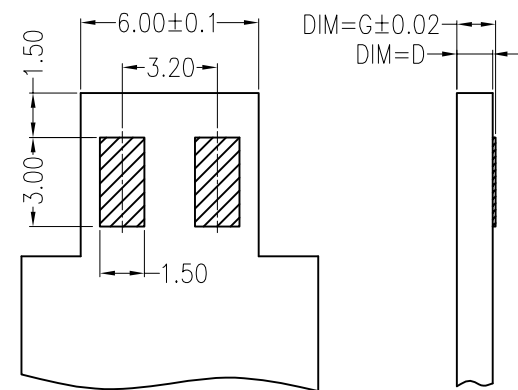
**主要技术参数 Main Specifications**

- 线 数 (Poles): 02
- 板 厚 (thickness): 1.0mm to 1.6mm
- 接触电阻 (Contact resistance):  $\leq 20m\Omega$
- 绝缘电阻 (Insulation resistance):  $\geq 1000M\Omega$
- 额定电压 (Rated voltage): 250V AC DC
- 额定电流 (Rated current): 2.0A AC DC
- 耐 电压 (Withstand Voltage): 1000V AC/minute
- 温度范围 (Temperature Range):  $-25^{\circ}C \sim +105^{\circ}C$

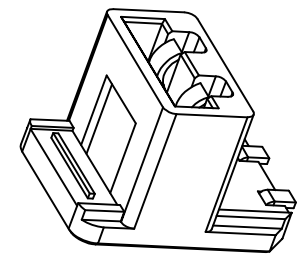
**ORDER INFORMATION:**



**Board Layout**



**Mating PCB detail**



ITEM	COMPONENT	Q'TY	MATERIAL	FINISH
C	SOLDER TAB	2 PCS	PhosphorBronze	MATTE Sn-plated
B	CONTACT	2 PCS	PhosphorBronze	MATTE Sn-plated
A	PEDESTAL	1 PCS	LCP	UL 94V-0, COLOR:BEIGE

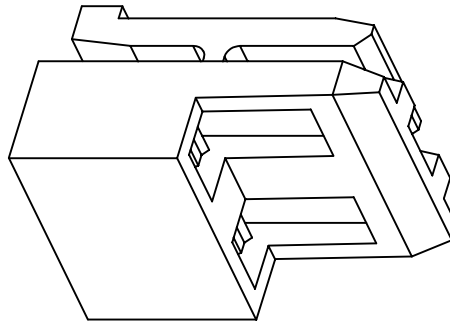
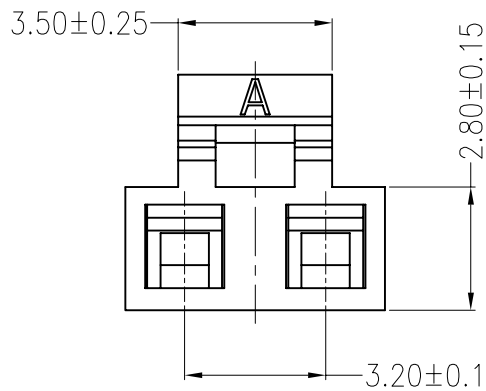
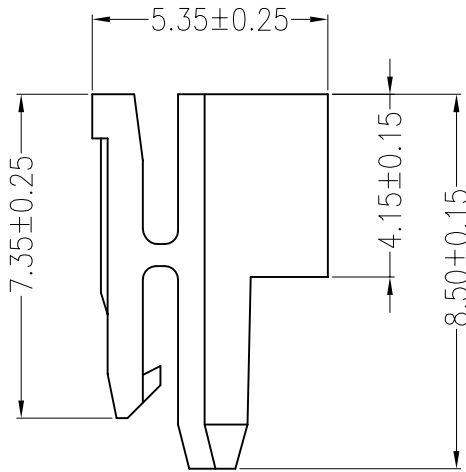
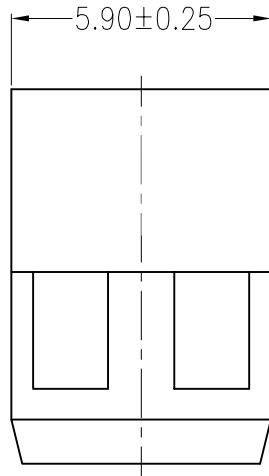
**广东科斯达电子科技有限公司**  
**GUANG DONG KE SI DA ELECTRONIC TECHNOLOGY CO., LTD.**

TITLE: -  
3.2mmPITCH 180°WAFER SMT TYPE

USE: CUSTOMER  
 APPD: 邵敬和  
 CHKD: 田峰  
 DR: 吴丹平

PART NO.: L002-\*\*-F2MB-R  
 DWG NO.: GCCP-0003  
 SCALE: 1 : 1  
 SHEET: 1 / 1

客户料号: \_\_\_\_\_



**主要技术参数 Main Specifications**

线数 (Poles): 02  
 接触电阻 (Contact resistance):  $\leq 20m\Omega$   
 绝缘电阻 (Insulation resistance):  $\geq 1000M\Omega$   
 额定电压 (Rated voltage): 250V AC DC  
 额定电流 (Rated current): 2.0A AC DC  
 耐电压 (Withstand Voltage): 1000V AC/minute  
 温度范围 (Temperature Range):  $-25^{\circ}C \sim +85^{\circ}C$

**ORDER INFORMATION:**

<b>L002-02-B1M-P</b>	
PART No. _____	PACKAGING: _____
No. OF CIRCUITS: _____	R=REEL
02	P=PE
PLASTIC MATERIAL: _____	
B1M=PA46 (BEIGE)	

**JKUN 乐清市健坤接插件有限公司**  
YUEQING JIANKUN CONNECTOR CO., LTD.

APPROVED BY  
邵敬和

UNIT TOLERANCE LTP.  
mm X.X ±0.30 ①

REVISION RECORD

NAME

DATE

NO.

DESCRIPTION

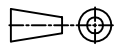
QTY

MATERIAL

PLATING/COLOR

MODEL NO: L002Y-02-B1M-P

CHECKED BY  
胡肖丰



SCALE FULL ANGLE  
X.XX ±0.20 ②  
X.XXX ±0.10 ③

DRAWN BY  
张一荣

DATE  
2014.03.18

REVISION A/1  
ANGLE X° ±3.0° ⑤

MODEL NAME: 3.20mm PITCH Housing

**广东科斯达电子科技有限公司**  
GUANG DONG KE SI DA ELECTRONIC TECHNOLOGY CO., LTD.