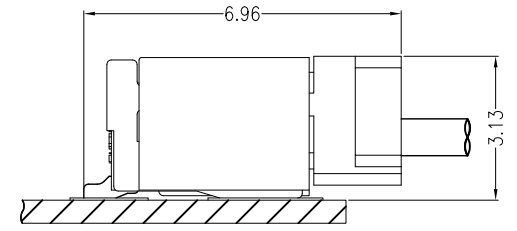
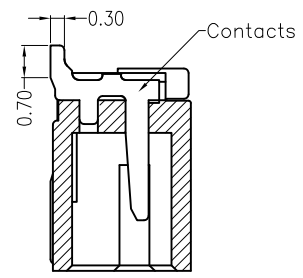
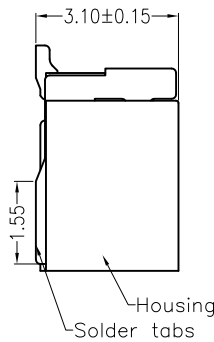
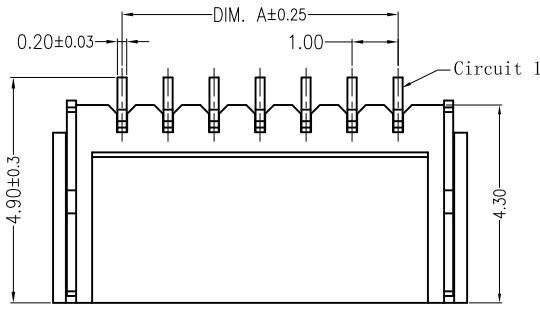
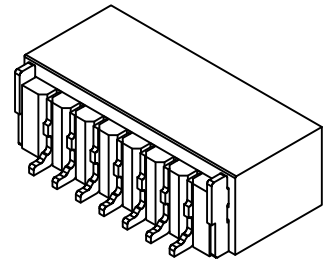
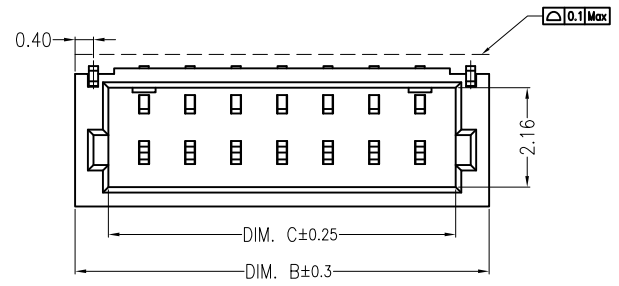


REV	DESCRIPTION	DESIGN	DATE
A0	NEW RELEASE	Wudanping	2016/05/05
A1	Increase the gold-plating specification	Wudanping	2017/03/03
A2	The correct current	Jiangjianyin	2019/03/29



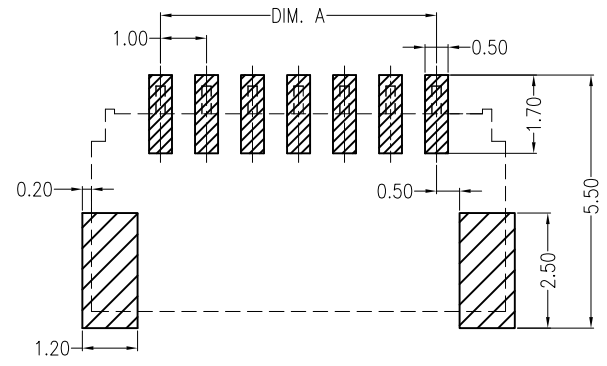
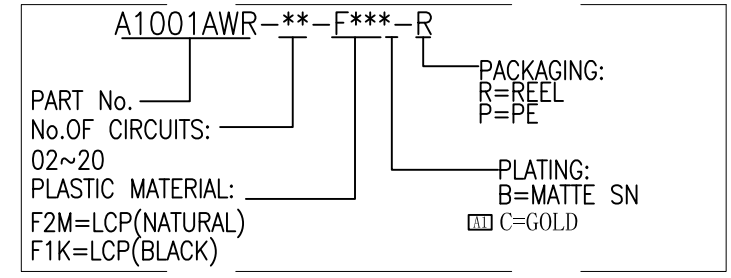
Assembly Layout



**Specifications:**

- Contact resistance:  $\leq 20m\Omega$
- Insulation resistance:  $\geq 100M\Omega$
- Rated voltage: 50V AC DC
- Rated current: 1.0A AC DC  $\square$
- Withstand voltage: 500V AC/minute
- Temperature range:  $-25^{\circ}C \sim +105^{\circ}C$
- Housing: LCP UL94V-0 (Natural/Black)
- Contacts: Phosphor bronze (Matte sn/Gold plating)
- Solder tabs: Phosphor bronze/Matte sn

**ORDER INFORMATION:**



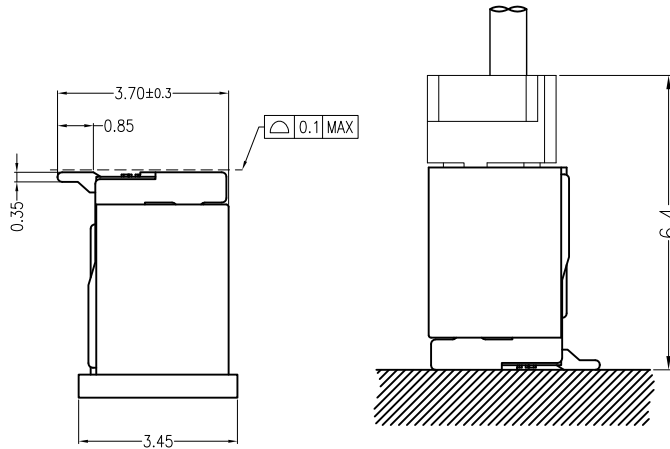
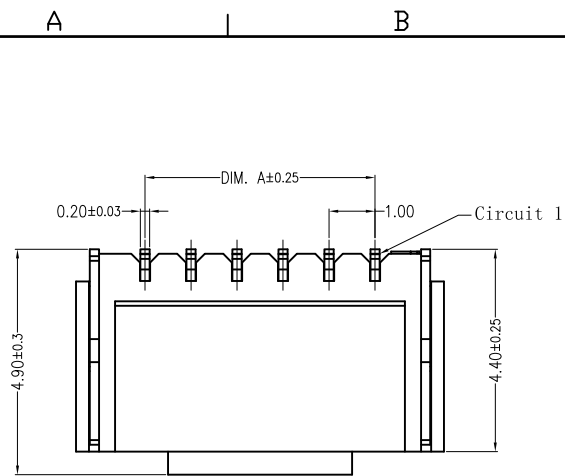
Recommend PCB Layout

Circuit	Dimensions (mm)		
	DIM. A	DIM. B	DIM. C
02	1.00	4.00	2.45
03	2.00	5.00	3.45
04	3.00	6.00	4.45
05	4.00	7.00	5.45
06	5.00	8.00	6.45
07	6.00	9.00	7.45
08	7.00	10.00	8.45
09	8.00	11.00	9.45
10	9.00	12.00	10.45
11	10.00	13.00	11.45
12	11.00	14.00	12.45
13	12.00	15.00	13.45
14	13.00	16.00	14.45
15	14.00	17.00	15.45
16	15.00	18.00	16.45
20	19.00	22.00	20.45



GENERAL TOLERANCE		USE:
X. $\pm 0.50$	X. $\pm 5^{\circ}$	CUSTOMER
X.X $\pm 0.30$	X.X $\pm 2^{\circ}$	APPD: Shaojinghe
X.XX $\pm 0.20$	X.XX $\pm 1^{\circ}$	CHKD: Zlinglingqing
$\oplus$	UNITS: mm	DR: Jiangjianyin

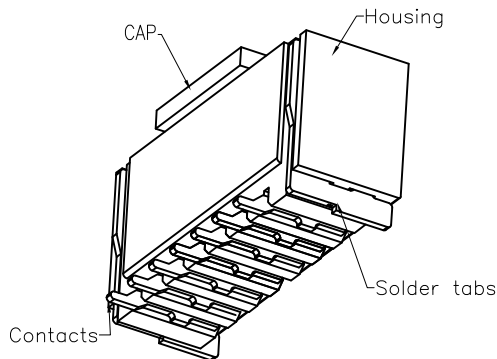
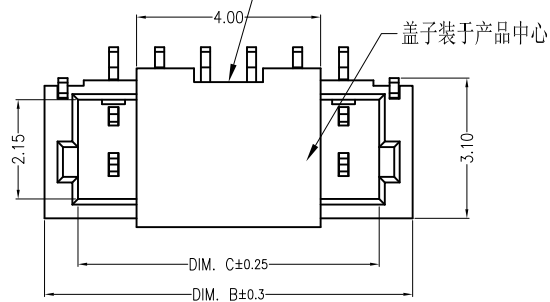
TITLE: 1.0mmPITCH 90°WAFER SMT TYPE	
PART NO.: A1001AWR-**-F***-R	
DWG NO.: GCKH-0501	
SCALE 1 : 1	SHEET 1 / 1



REV	DESCRIPTION	DESIGN	DATE
A0	NEW RELEASE	Wudanping	2017/05/24
A1	Add black material	Wudanping	2017/09/28
A2	Increase the gold-plating specification	Zhouxiulong	2017/10/06
A3	The correct current	Jiangjianyin	2019/03/29

Assembly Layout

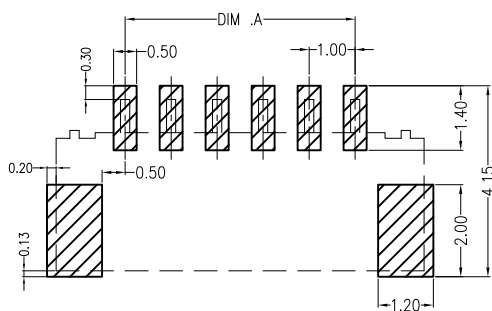
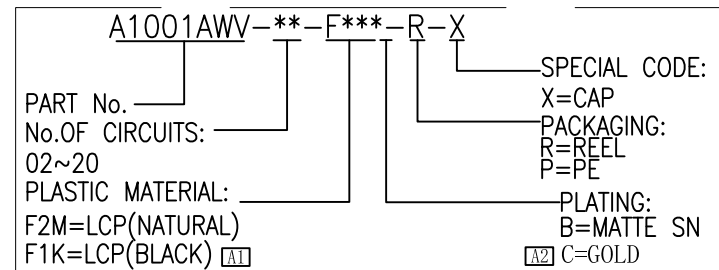
缺口为浇口工艺，减少自动机加盖卡料，  
缺口位置不固定，也可在另一侧



**Specifications:**

- Contact resistance:  $\leq 20m\Omega$
- Insulation resistance:  $\geq 100M\Omega$
- Rated voltage: 50V AC DC
- Rated current: 1.0A AC DC <sup>A3</sup>
- Withstand voltage: 500V AC/minute
- Temperature range:  $-25^{\circ}C \sim +105^{\circ}C$
- Housing: LCP UL94V-0 (Natural/Black)
- CAP: LCP UL94V-0, Natural
- Contacts: Phosphor bronze (Matte sn/Gold plating)
- Solder tabs: Phosphor bronze/Matte sn

**ORDER INFORMATION:**



Recommend PCB Layout

Circuit	Dimensions (mm)		
	DIM. A	DIM. B	DIM. C
02	1.00	4.00	2.45
03	2.00	5.00	3.45
04	3.00	6.00	4.45
05	4.00	7.00	5.45
06	5.00	8.00	6.45
07	6.00	9.00	7.45
08	7.00	10.00	8.45
09	8.00	11.00	9.45
10	9.00	12.00	10.45
11	10.00	13.00	11.45
12	11.00	14.00	12.45
13	12.00	15.00	13.45
14	13.00	16.00	14.45
15	14.00	17.00	15.45
16	15.00	18.00	16.45
20	19.00	22.00	20.45

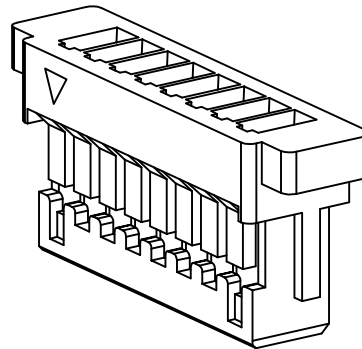
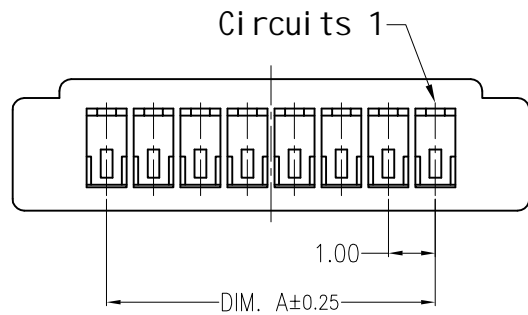
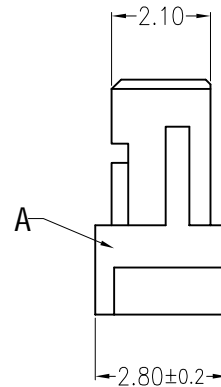
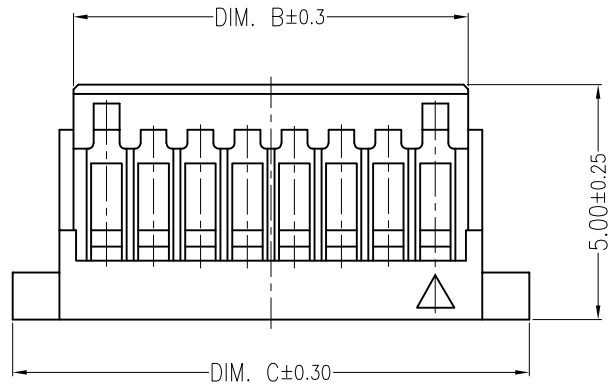
广东科斯达电子科技有限公司  
GUANG DONG KE SI DA ELECTRONIC TECHNOLOGY CO., LTD.

GENERAL TOLERANCE	
X. $\pm 0.50$	X. $\pm 5^{\circ}$
X.X $\pm 0.30$	X.X $\pm 2^{\circ}$
X.XX $\pm 0.20$	X.XX $\pm 1^{\circ}$

USE:	CUSTOMER
APPD:	Shaojinghe
CHKD:	Zlinglingqing
DR:	Jiangjianyin

TITLE:		1.0mmPITCH 180°WAFER SMT TYPE	
PART NO.:		A1001AW-**-F***-R-X	
DWG NO.:		GCKH-0502	
SCALE	SHEET	1 : 1	1 / 1

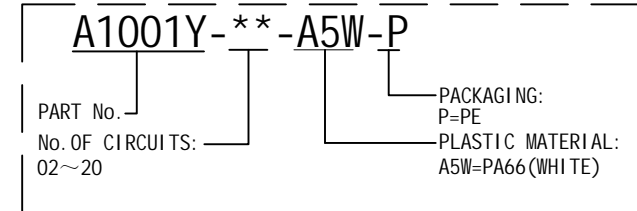
REV	DESCRIPTION	DESIGN	DATE
A0	Release	吴丹平	2016.05.25



### 主要技术参数 Main Specifications

- 线 数 (Poles): 02 to 20
- 接触电阻 (Contact resistance):  $\leq 20m\Omega$
- 绝缘电阻 (Insulation resistance):  $\geq 100M\Omega$
- 额定电压 (Rated voltage): 50V AC DC
- 额定电流 (Rated current): 1.0A AC DC
- 耐 电压 (Withstand Voltage): 500V AC/minute
- 温度范围 (Temperature Range):  $-25^{\circ}C \sim +85^{\circ}C$

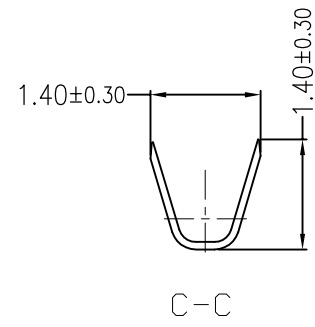
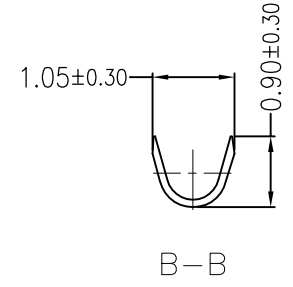
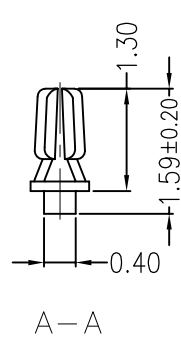
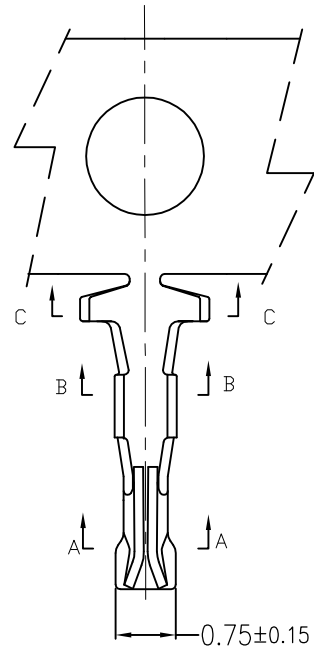
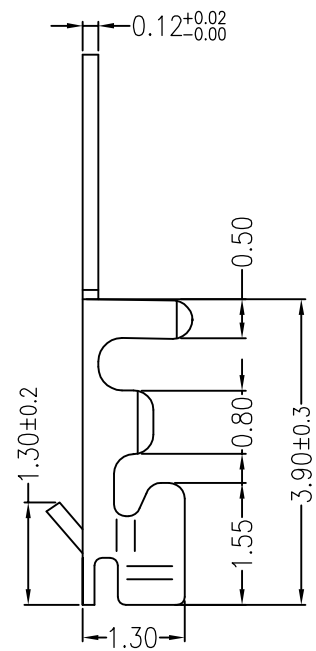
### ORDER INFORMATION:



Circuits	Di mensi ons(mm)			Circuits	Di mensi ons(mm)		
	DIM. A	DIM. B	DIM. C		DIM. A	DIM. B	DIM. C
02	1.00	2.40	5.00	10	9.00	10.40	13.00
03	2.00	3.40	6.00	11	10.00	11.40	14.00
04	3.00	4.40	7.00	12	11.00	12.40	15.00
05	4.00	5.40	8.00	13	12.00	13.40	16.00
06	5.00	6.40	9.00	14	13.00	14.40	17.00
07	6.00	7.40	10.00	15	14.00	15.40	18.00
08	7.00	8.40	11.00	16	15.00	16.40	19.00
09	8.00	9.40	12.00				

C					
B					
A	PEDESTAL	1 PCS	PA66	COLOR:WHITE	
ITEM	COMPONENT	Q'TY	MATERIAL	FINISH	
<b>广东科斯达电子科技有限公司</b> GUANG DONG KE SI DA ELECTRONIC TECHNOLOGY CO., LTD.			TITLE: - 1.0mmPITCH HOUSING		
X.±0.5	X.±5'	USE:	CUSTOMER		
.X±0.3	.X±2'	APPD:	邵敬和		
.XX±0.25	.XX±1'	CHKD:	田峰		
--	--	DR:	吴丹平		
UNITS: mm		DR:	吴丹平		
SCALE			SHEET		
1 : 1			1 / 1		

REV	DESCRIPTION	DESIGN	DATE
A0	Release	吴丹平	2016.05.25

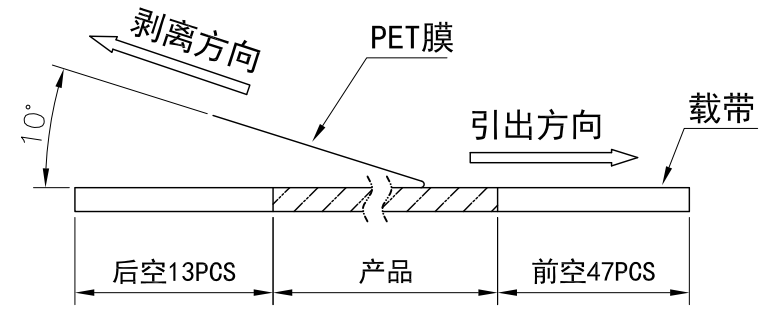
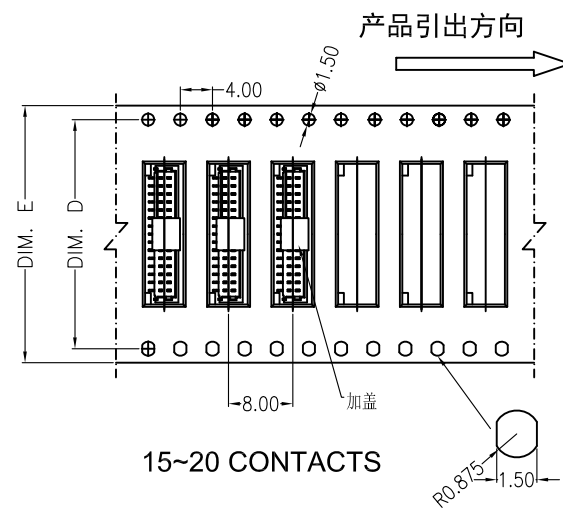
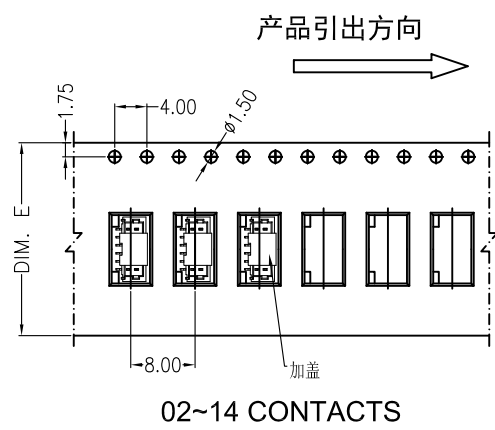


### Ordering Information & Specification:

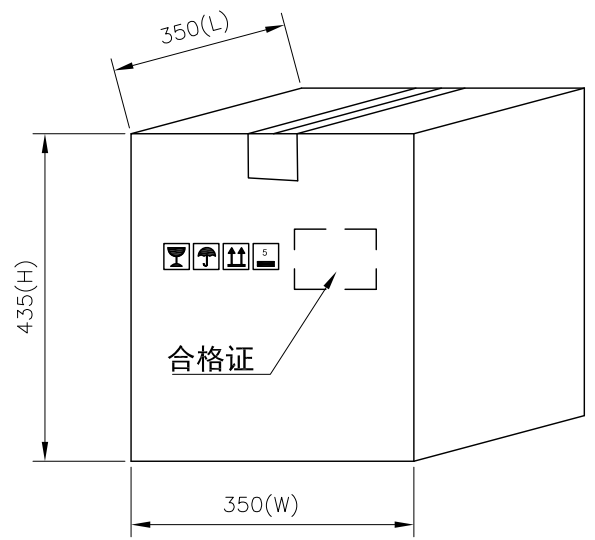
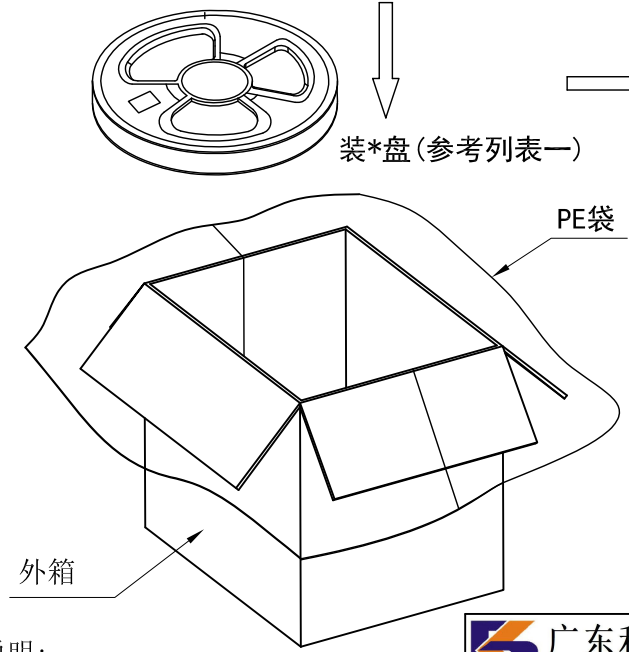
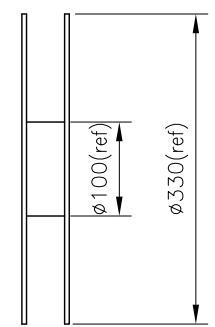
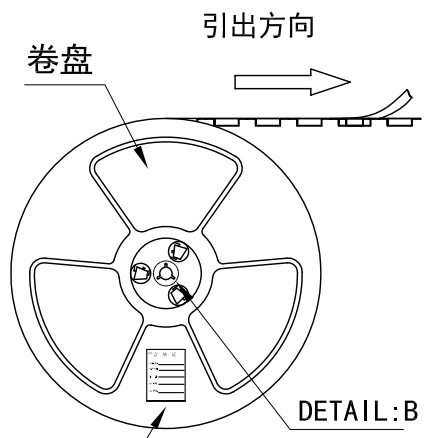
Part No	Wire Range	Insulation O.D.	Material	Finish	Qty/Reel
A1001T	AWG #28~#32	0.4-0.8mm	Phosphor bronze	Sn-plated	

<b>广东科斯达电子科技有限公司</b> GUANG DONG KE SI DA ELECTRONIC TECHNOLOGY CO., LTD.			TITLE: -	
X.±0.5	X.±5'	USE: CUSTOMER	PART NO.:	
.X±0.3	.X±2'		A1001T 端子	
.XX±0.25	.XX±1'	APPD: 邵敬和	DWG NO.:	
--	--	CHKD: 田峰	GCDZ-0001	
UNITS: mm		DR: 吴丹平	SCALE: 1:1	SHEET: 1/1

REV	ECN No.	DESCRIPTION	DESIGN	DATE
A		Release	蒋建银	2018.06.21



(PET膜剥离示意图)



列表一

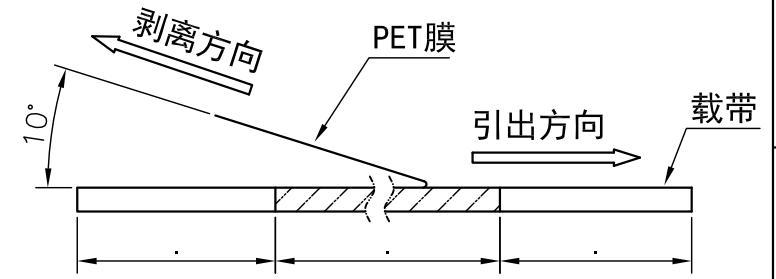
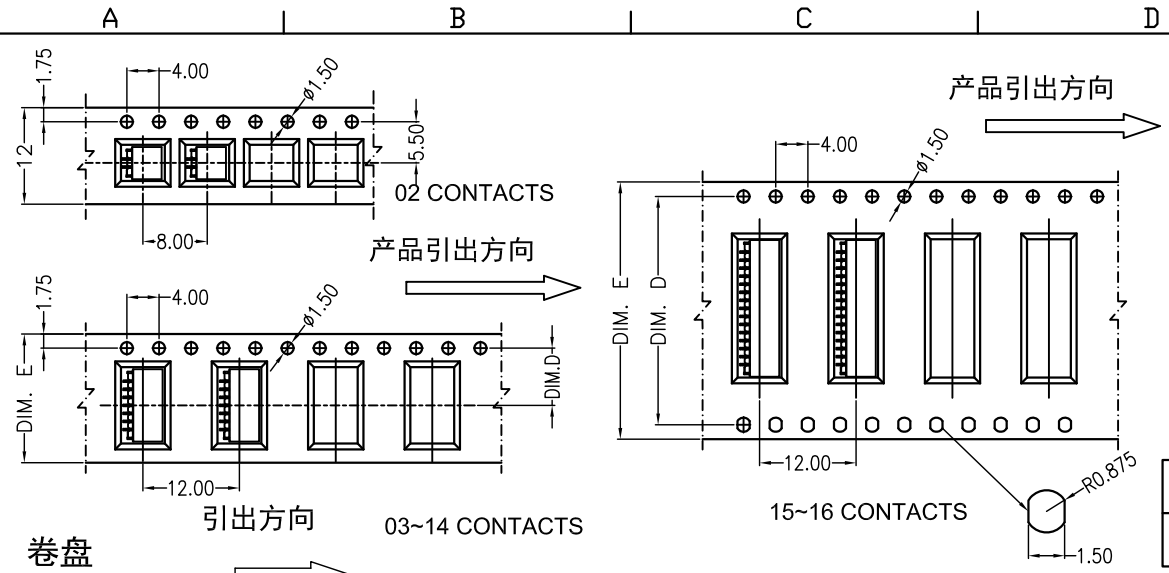
Circuits	DIM. D	DIM. E	Q'ty/Reel	Packing (Reel/Caton)
02-05PIN	-	16	1500PCS	20/Reel
06-14PIN	-	24	1500PCS	15/Reel
15-16PIN	28.4	32	1500PCS	11/Reel
20PIN	40.4	44	1500PCS	8/Reel

包装说明:

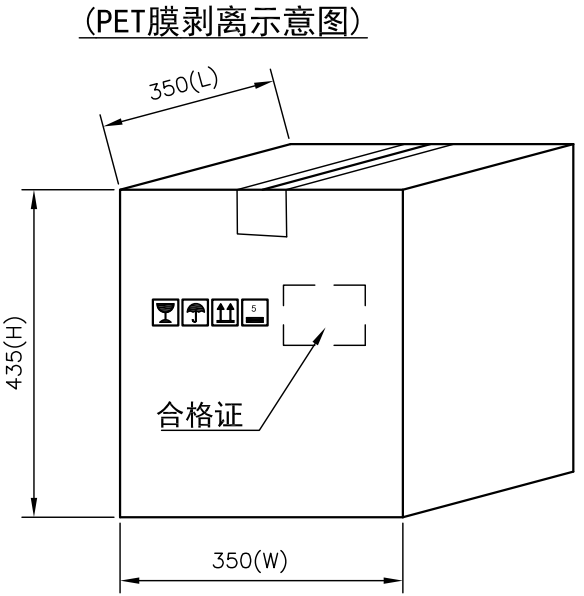
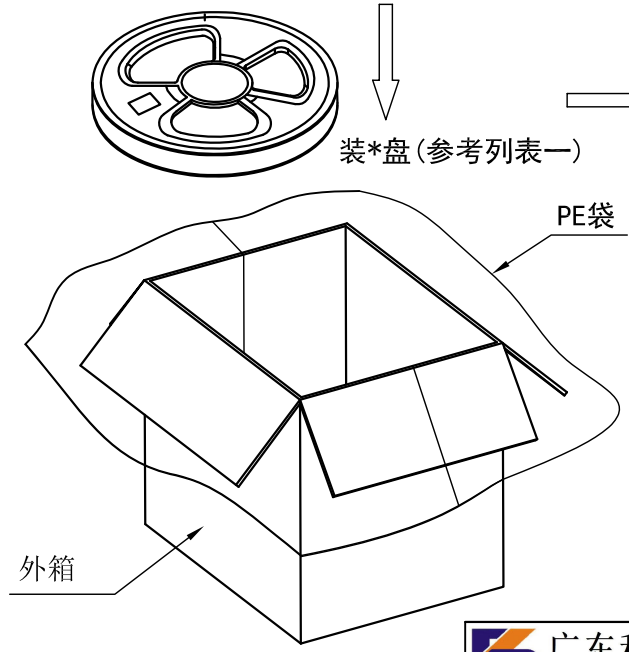
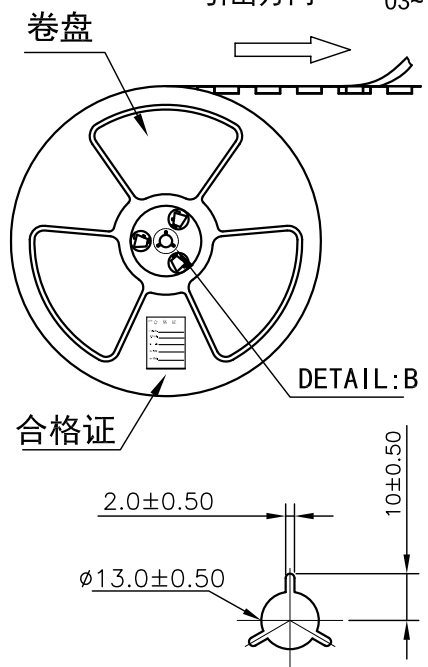
- 把成品包入卷盘中, 每盘装1500PCS, 卷盘上贴上合格证, 将装好产品的卷盘放进外箱中, 外箱内先套一个大PE袋, 外箱上贴贴上合格证.
- 所有材料有害物控制需符合RoHS标准.

<b>广东科斯达电子科技有限公司</b> GUANG DONG KE SI DA ELECTRONIC TECHNOLOGY CO., LTD.		TITLE: <b>A1001AW 包装规范</b>	
X.± 0.5	X.±'	USE: MANUFACTURE	PART NO.:
.X± 0.3	.X±'	APPD: 邵敬和	A1001AW-nP 卷装
.XX±0.25	.XX±'	CHKD: 田峰	DWG NO.:
--	--	DR: 蒋建银	GCBZ-0502
UNITS: mm		SCALE 1 : 1	SHEET 1 / 1

REV	ECN No.	DESCRIPTION	DESIGN	DATE
A		Release	蒋建银	2018.06.21



02 CONTACTS	后空13PCS	产品	前空51PCS
03~16 CONTACTS	后空9PCS	产品	前空35PCS



**列表一**

Circuits	DIM. D	DIM. E	Q'ty/Reel	Packing (Reel/Caton)
02PIN	5.50	12	2000PCS	25/Reel
03-06PIN	7.50	16	1500PCS	20/Reel
07-14PIN	11.50	24	1500PCS	15/Reel
15-16PIN	28.4	32	1500PCS	11/Reel

**包装说明:**

- 把成品包入卷盘中, 每盘装1500PCS, (注: 2PIN每盘装2000PCS), 卷盘上贴上合格证, 将装好产品的卷盘放进外箱中, 外箱内先套一个大PE袋, 外箱上贴贴上合格证.
- 所有材料有害物控制需符合RoHS标准.

**广东科斯达电子科技有限公司**  
**GUANG DONG KE SI DA ELECTRONIC TECHNOLOGY CO., LTD.**

TITLE: A1001AWR 包装规范

PART NO.: A1001AWR-nP 卷装

DWG NO.: GCBZ-0501

SCALE: 1 : 1

SHEET: 1 / 1

USE: MANUFACTURE

APPD: 邵敬和

CHKD: 田峰

DR: 蒋建银

UNITS: mm