

A

B

C

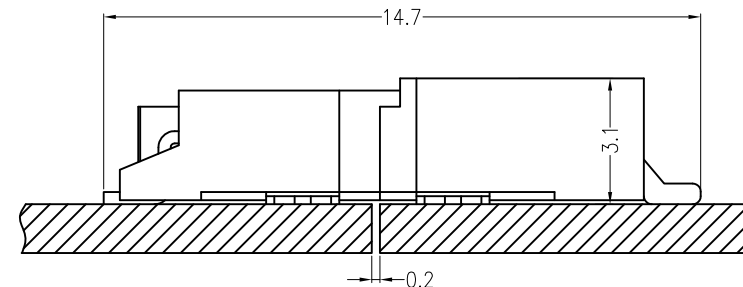
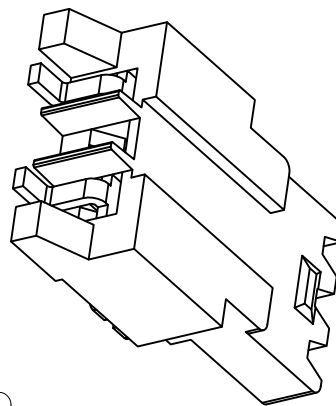
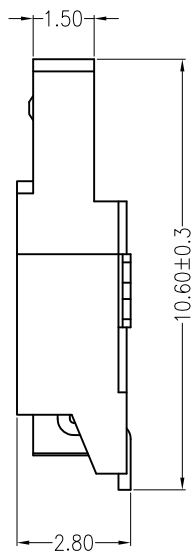
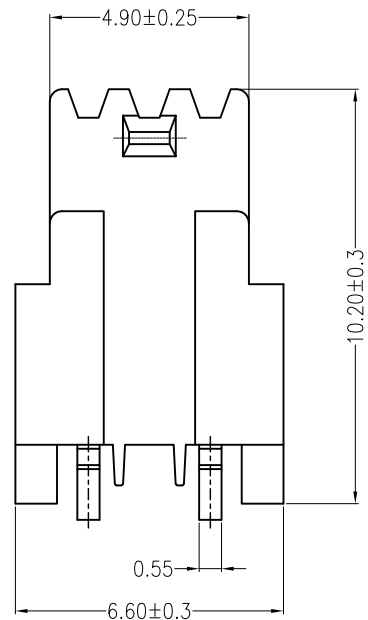
D

E

F

REV	DESCRIPTION	DESIGN	DATE
A0	Release	吴丹平	2015.07.15

1



### Assembly Layout

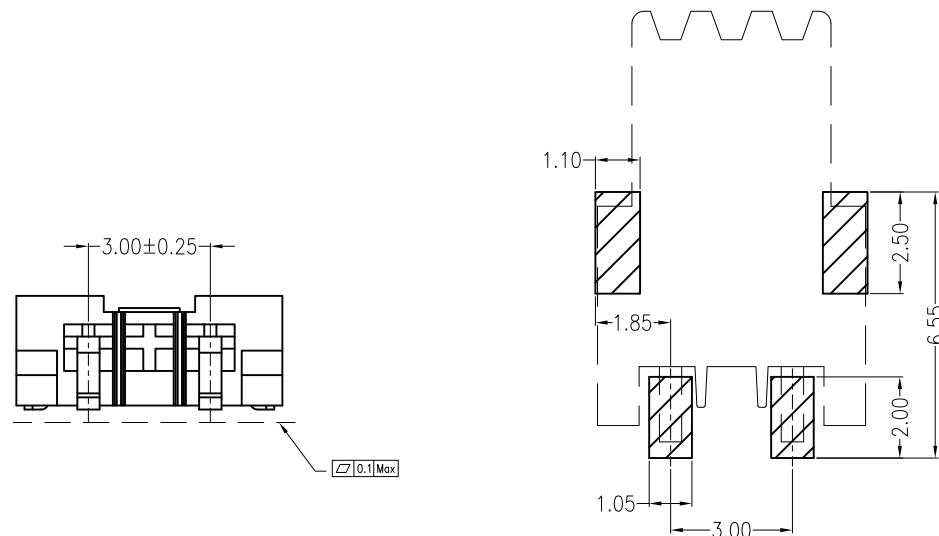
#### 主要技术参数 Main Specifications

线数 (Poles): 02P  
 接触电阻 (Contact resistance):  $\leq 20\text{m}\Omega$   
 绝缘电阻 (Insulation resistance):  $\geq 1000\text{M}\Omega$   
 额定电压 (Rated voltage): 150 V AC DC  
 额定电流 (Rated current): 1.0A AC DC  
 耐电压 (Withstand Voltage): 1000V AC/minute  
 温度范围 (Temperature Range):  $-25^{\circ}\text{C} \sim +105^{\circ}\text{C}$

#### ORDER INFORMATION:

<b>B3001P-02-F4MB-R</b>			
PART No.			
No. OF CIRCUITS:	02	PACKAGING:	R=REEL P=PE PLATING: B=MATTE Sn
PLASTIC MATERIAL:	F4M=LCP E6808 (BEIGE)		

3



#### Board Layout

General Tolerance:  $\pm 0.05$

4

5

ITEM	COMPONENT	Q'TY	MATERIAL	FINISH
C	Solder Tab	2 PCS	PhosphorBronze	MATTE Sn-plated
B	CONTACT	2 PCS	PhosphorBronze	MATTE Sn-plated
A	PEDESTAL	1 PCS	LCP E6808	UL 94V-0, COLOR:BEIGE



广东科斯达电子科技有限公司  
GUANG DONG KE SI DA ELECTRONIC TECHNOLOGY CO., LTD.

TITLE: -  
3.0mmPITCH 90°WAFER SMT TYPE

X.±0.5	X.±5'	USE:	CUSTOMER	
.X±0.3	.X±2'	APPD:	邵敬和	
.XX±0.25	.XX±1'	CHKD:	田峰	
--	--	DR:	吴丹平	
UNITS: mm		SCALE	1 : 1	SHEET
				1 / 1

A

B

C

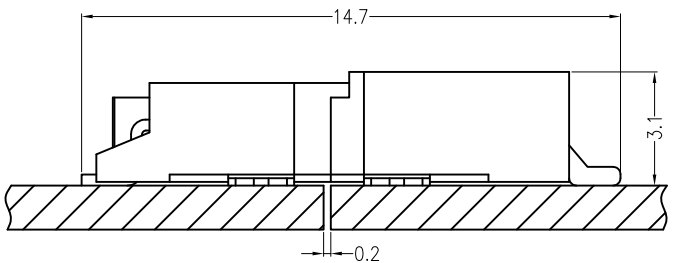
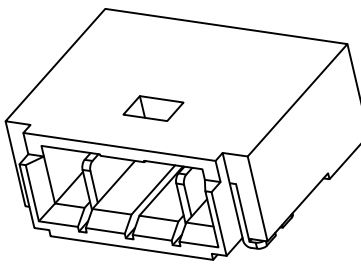
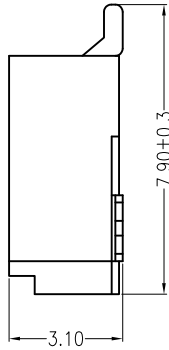
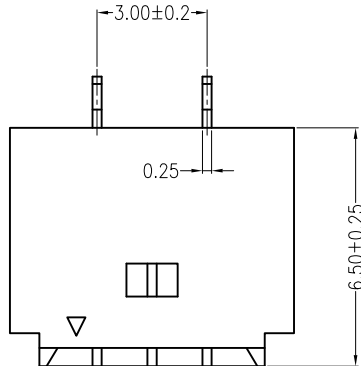
D

E

F

A B C D E F

REV	DESCRIPTION	DESIGN	DATE
A0	Release	吴丹平	2015.07.15



**Assembly Layout**

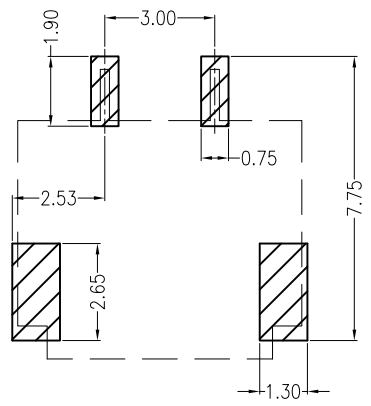
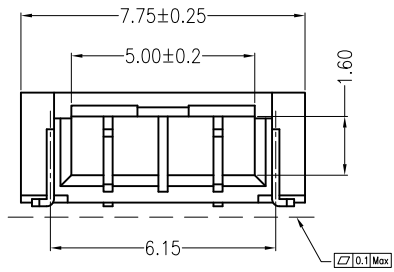
主要技术参数 Main Specifications

- 线数 (Poles): 02P
- 接触电阻 (Contact resistance):  $\leq 20m\Omega$
- 绝缘电阻 (Insulation resistance):  $\geq 1000M\Omega$
- 额定电压 (Rated voltage): 150 V AC DC
- 额定电流 (Rated current): 1.0A AC DC
- 耐电压 (Withstand Voltage): 1000V AC/minute
- 温度范围 (Temperature Range):  $-25^{\circ}C \sim +105^{\circ}C$

ORDER INFORMATION:

**B3001R-02-F4MB-R**

PART No. _____	PACKAGING: _____
No. OF CIRCUITS: _____	R=REEL
02	P=PE
PLASTIC MATERIAL: _____	PLATING: _____
F4M=LCP E6808 (BEIGE)	B=MATTE Sn



Board Layout  
General Tolerance:  $\pm 0.05$

ITEM	COMPONENT	Q'TY	MATERIAL	FINISH
C	Solder Tab	2 PCS	PhosphorBronze	MATTE Sn-plated
B	CONTACT	2 PCS	PhosphorBronze	MATTE Sn-plated
A	PEDESTAL	1 PCS	LCP E6808	UL 94V-0, COLOR:BEIGE

<b>广东科斯达电子科技有限公司</b> GUANG DONG KE SI DA ELECTRONIC TECHNOLOGY CO., LTD.		TITLE: -	
		3.0mmPITCH 90°WAFER SMT TYPE	
X.±0.5	X.±5'	USE: CUSTOMER	PART NO.:
.X±0.3	.X±2'		B3001R-02-F4MB-R
.XX±0.25	.XX±1'	APPD: 邵敬和	DWG NO.:
--	--	CHKD: 田峰	GCCP-0590
UNITS: mm	DR: 吴丹平	SCALE	SHEET
		1 : 1	1 / 1

A B C D E F

1  
2  
3  
4  
5

1  
2  
3  
4