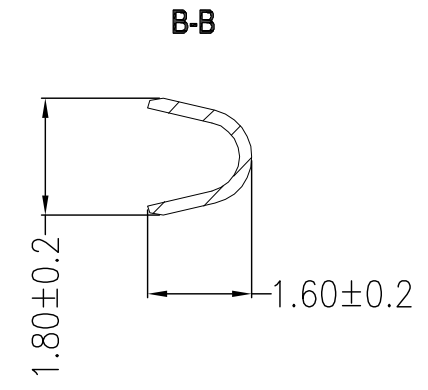
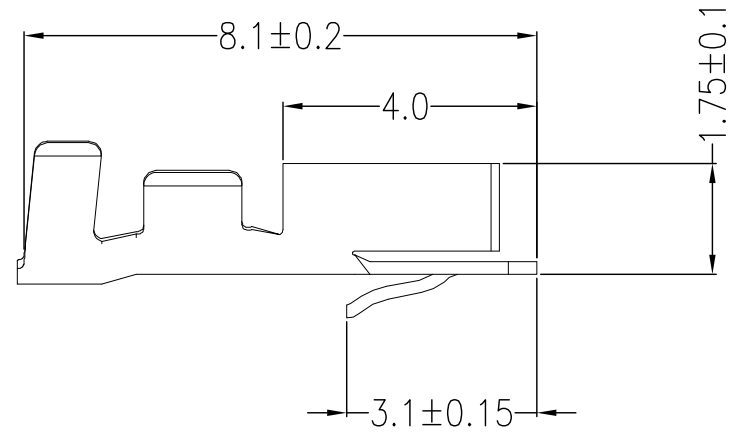
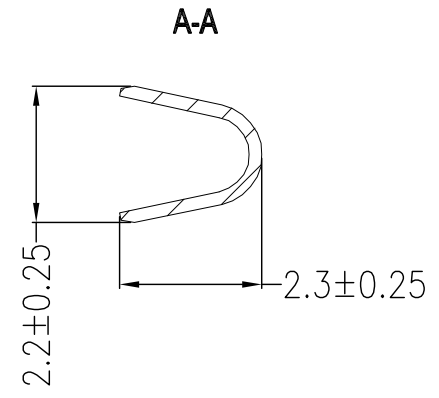
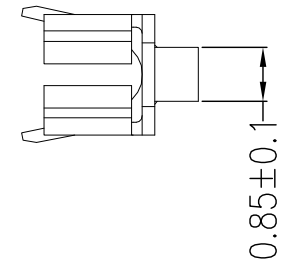
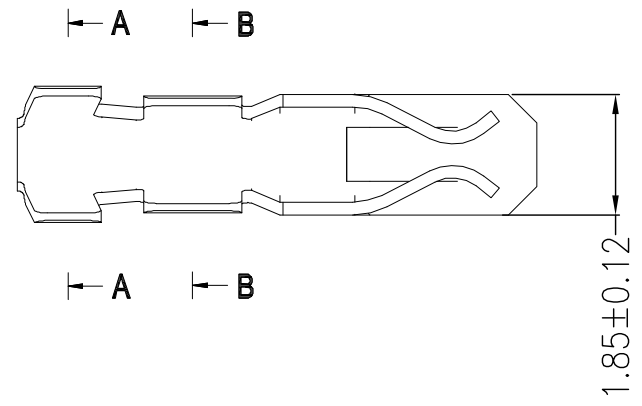


REV	DESCRIPTION	DESIGN	DATE
A0	NEW RELEASE	蒋建银	2016/05/20

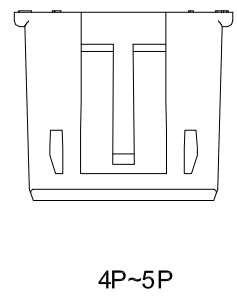
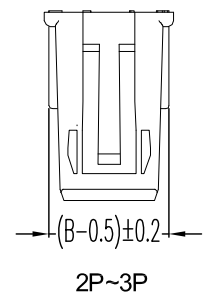
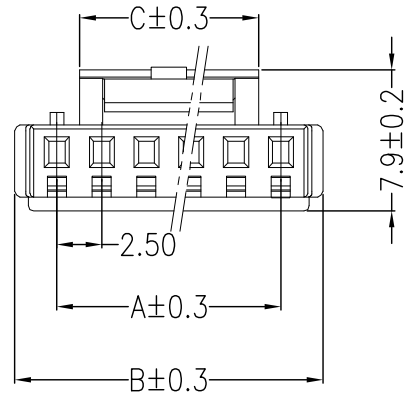
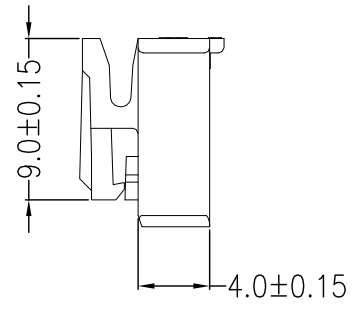
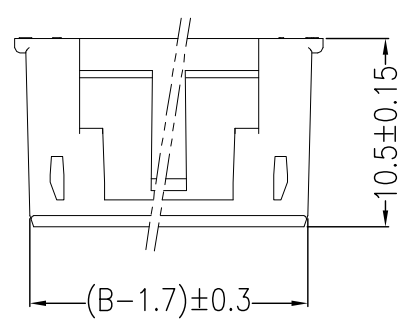


Ordering Information & Specification:

Part No	Wire Range	Insulation O.D.	Material	Finish	Qty/Reel
C2507PT	AWG #28~#22	1.0~1.8mm	Phosphor bronze	Sn-plated	

广东科斯达电子科技有限公司 GUANG DONG KE SI DA ELECTRONIC TECHNOLOGY CO., LTD.			TITLE: -	
GENERAL TOLERANCE X. ± 0.50 X. $\pm 5^\circ$ X.X ± 0.30 X.X $\pm 2^\circ$ X.XX ± 0.20 X.XX $\pm 1^\circ$		USE: CUSTOMER APPD: 刘振岭 CHKD: 王亮 DR: 蒋建银		PART NO.: C2507PT DWG NO.: GCDZ-0087
UNITS: mm		DR: 蒋建银	SCALE 1 : 1	SHEET 1 / 1

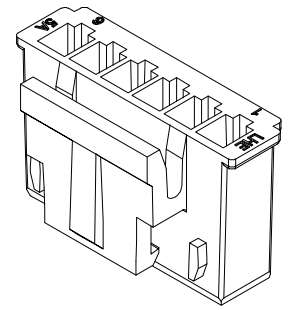
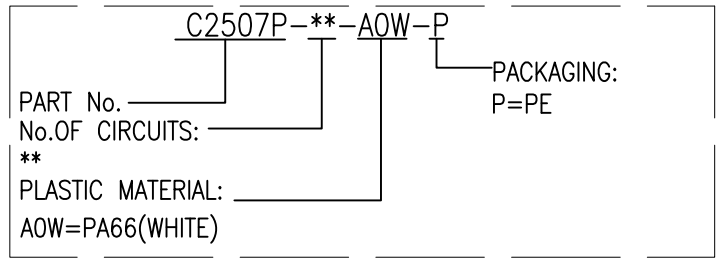
REV	DESCRIPTION	DESIGN	DATE
A0	NEW RELEASE	蒋建银	2016/05/20



Specifications:

Contact resistance: ≤10mΩ
 Insulation resistance: ≥1000MΩ
 Rated voltage: 250V AC DC
 Rated current: 3.0A AC DC
 Withstand Voltage: 1000V AC/minute
 Temperature Range: -25℃ ~ +85℃
 Housing: PA66, WHITE

ORDER INFORMATION:



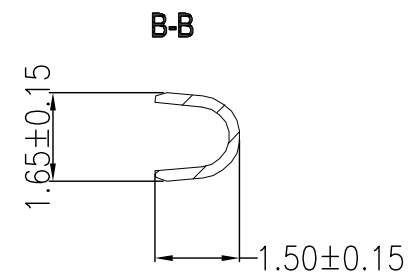
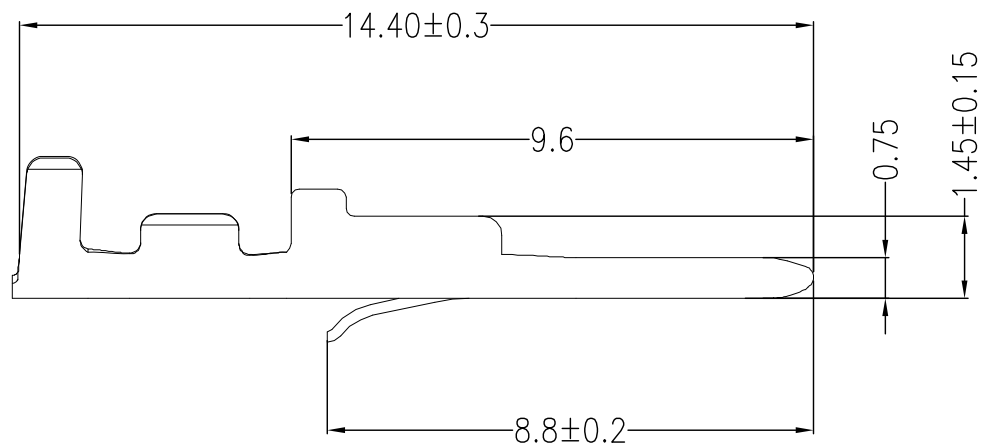
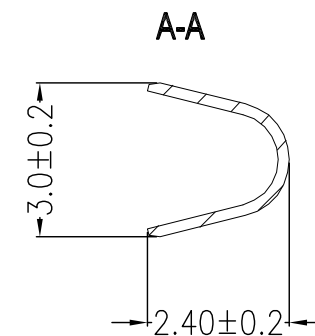
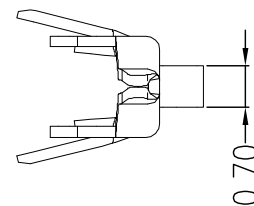
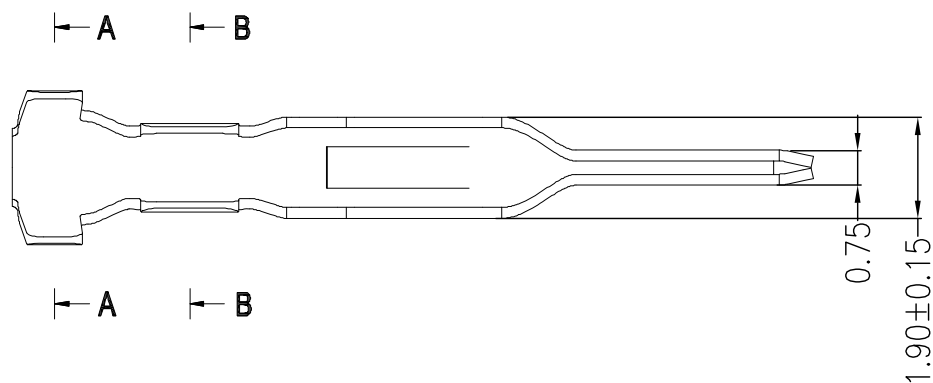
Part No.	Dimensions mm		
	A	B	C
C2507P-02	2.50	7.20	3.0
C2507P-03	5.00	9.70	3.0
C2507P-04	7.50	12.20	4.8
C2507P-05	10.00	14.70	4.8
C2507P-06	12.50	17.20	10.0
C2507P-07	15.00	19.70	10.0
C2507P-08	17.50	22.20	12.5
C2507P-09	20.00	24.70	12.5
C2507P-10	22.50	27.20	15.0
C2507P-11	25.00	29.70	15.0
C2507P-12	27.50	32.20	17.5
C2507P-13	30.00	34.70	17.5
C2507P-14	32.50	37.20	17.5
C2507P-15	35.00	39.70	17.5

广东科斯达电子科技有限公司
 GUANG DONG KE SI DA ELECTRONIC TECHNOLOGY CO., LTD.

GENERAL TOLERANCE		USE:
X. ±0.50	X. ±5'	CUSTOMER
X.X ±0.30	X.X ±2'	APPD: 刘振岭
X.XX ±0.20	X.XX ±1'	CHKD: 王亮
	UNITS: mm	DR: 蒋建银

TITLE: SMH250-*R	
PART NO.: C2507P-**-A0W-P	
DWG NO.: GCCP-0767	
SCALE: 1 : 1	SHEET: 1 / 1

REV	DESCRIPTION	DESIGN	DATE
A0	NEW RELEASE	蒋建银	2016/05/20



Ordering Information & Specification:

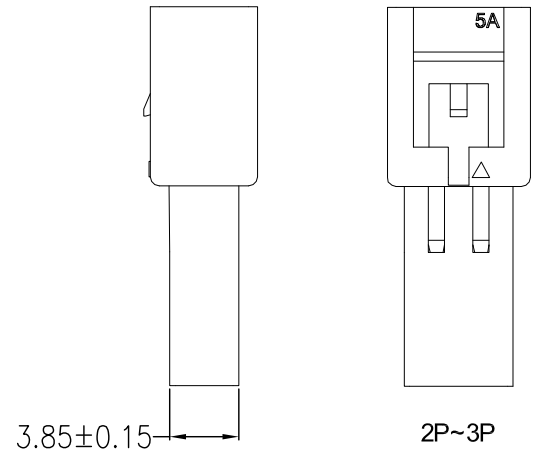
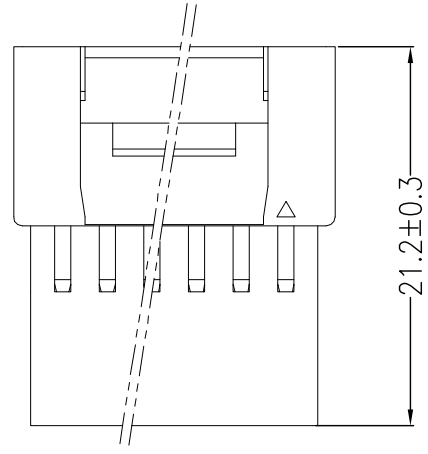
Part No	Wire Range	Insulation O. D.	Material	Finish	Qty/Reel
C2507RT	AWG #28~#22	1.0~1.8mm	Phosphor bronze	Sn-plated	



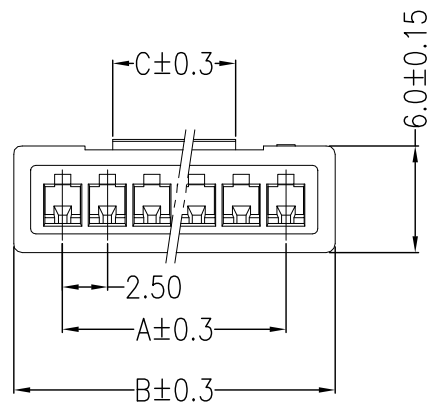
TITLE:
-

GENERAL TOLERANCE		USE:	PART NO.:	
X. ±0.50	X. ±5°	CUSTOMER	C2507RT	
X.X ±0.30	X.X ±2°	APPD: 刘振岭	DWG NO.:	
X.XX ±0.20	X.XX ±1°	CHKD: 王亮	GCDZ-0088	
UNITS: mm		DR: 蒋建银	SCALE 1 : 1	SHEET 1 / 1

REV	DESCRIPTION	DESIGN	DATE
A0	NEW RELEASE	蒋建银	2016/05/20

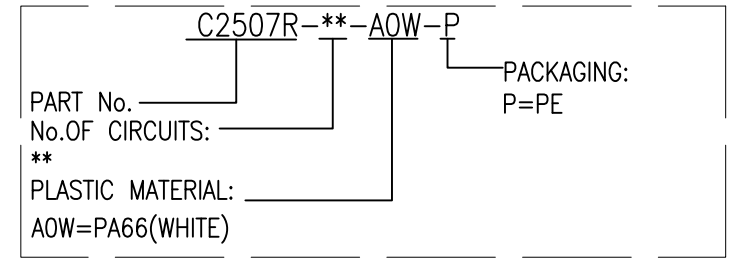


Specifications:
 Contact resistance: ≤10mΩ
 Insulation resistance: ≥1000MΩ
 Rated voltage: 250V AC DC
 Rated current: 3.0A AC DC
 Withstand Voltage: 1000V AC/minute
 Temperature Range: -25°C ~ +85°C
 Housing: PA66, WHITE



Part No.	Dimensions mm		
	A	B	C
C2507R-02	2.50	8.00	1.0
C2507R-03	5.00	10.50	1.0
C2507R-04	7.50	13.00	1.9
C2507R-05	10.00	15.50	1.9
C2507R-06	12.50	18.00	6.9
C2507R-07	15.00	20.50	9.4
C2507R-08	17.50	23.00	11.9
C2507R-09	20.00	25.50	11.4
C2507R-10	22.50	28.00	16.9
C2507R-11	25.00	30.50	19.4
C2507R-12	27.50	33.00	21.9
C2507R-13	30.00	35.50	24.4
C2507R-14	32.50	38.00	26.9
C2507R-15	35.00	40.50	29.4

ORDER INFORMATION:



广东科斯达电子科技有限公司
 GUANG DONG KE SI DA ELECTRONIC TECHNOLOGY CO., LTD.

TITLE:	SMH250-*R
PART NO.:	C2507R-**-A0W-P
DWG NO.:	GCCP-0768
SCALE	1 : 1
SHEET	1 / 1

GENERAL TOLERANCE		USE:
X. ±0.50	X. ±5'	CUSTOMER
X.X ±0.30	X.X ±2'	APPD: 刘振岭
X.XX ±0.20	X.XX ±1'	CHKD: 王亮
UNITS: mm		DR: 蒋建银