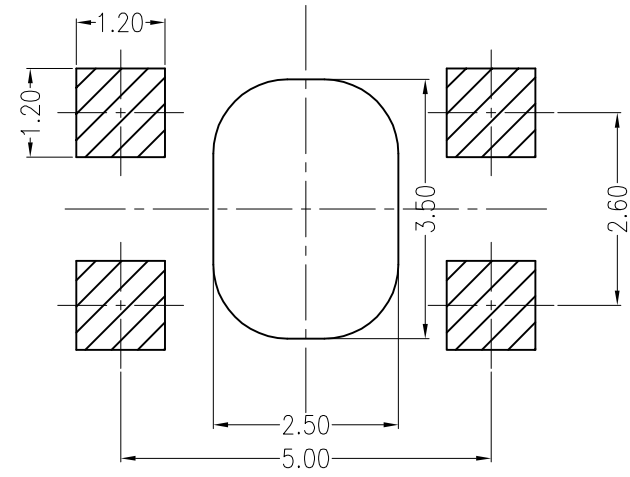
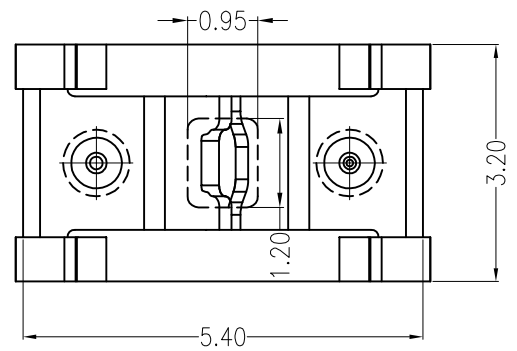
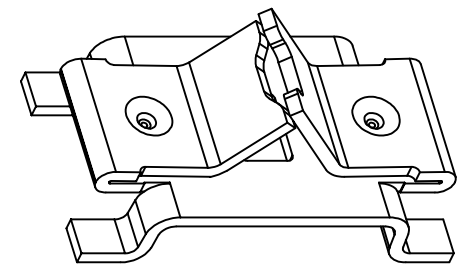
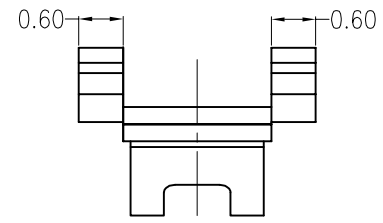
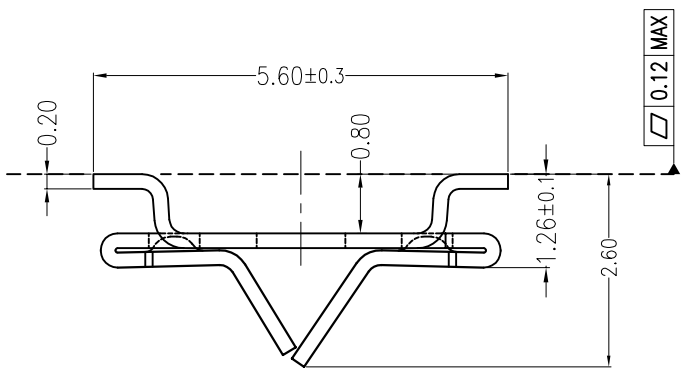


REV	ECN No.	DESCRIPTION	DESIGN	DATE
BO		Release	田峰	2017.08.31
-			-	-



主要技术参数 Main Specifications

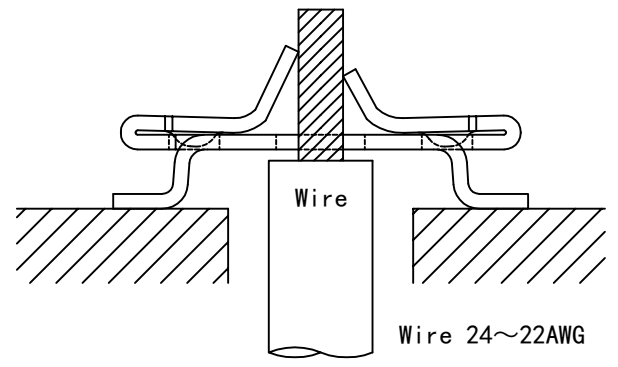
线 数 (Poles): 01  
 接触电阻 (Contact resistance):  $\leq 20m\Omega$   
 额定电压 (Rated voltage): 250 V AC DC  
 额定电流 (Rated current): 1.0A AC DC  
 温度范围 (Temperature Range):  $-45^{\circ}C \sim +125^{\circ}C$

ORDER INFORMATION:

**L068K-01-000B1-R**

PART No.:		PACKAGING:	R=REEL
No. FOR CIRCUITS:	01		P=PE
PLASTIC MATERIAL:	000=No plastic parts	METAL CODE:	1=PHOSPHORBRONZE
		PLATING:	B=MATTE Sn

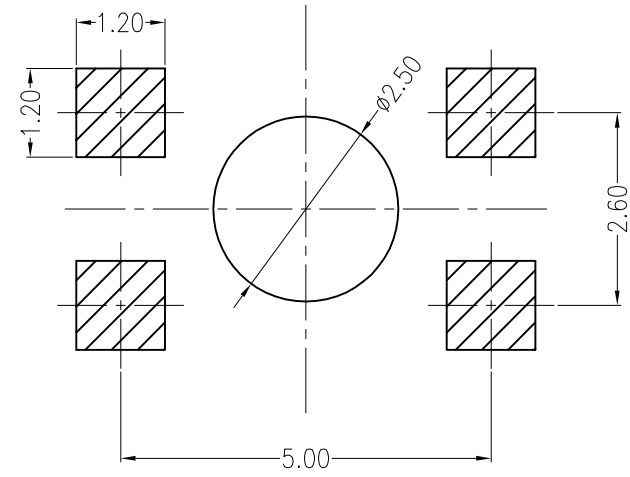
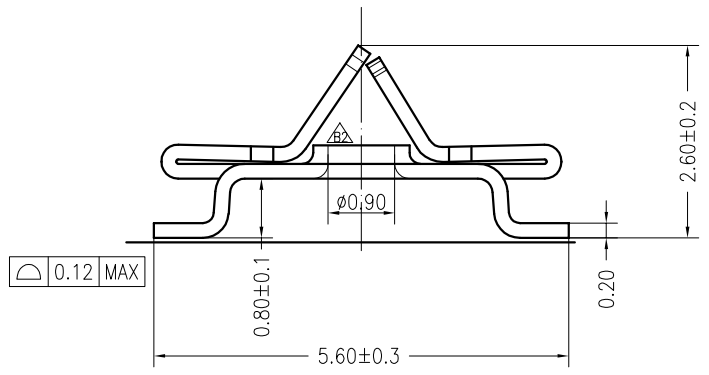
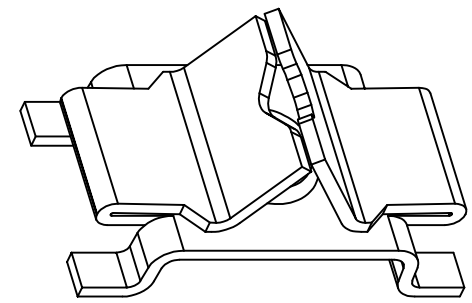
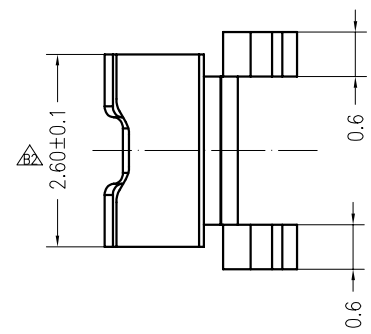
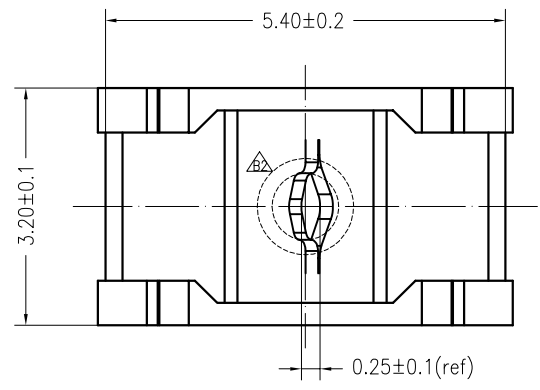
SUGGESTED PCB LAYOUT



**Assembly Layout**

ITEM	COMPONENT	Q'TY	MATERIAL	FINISH
A	CONTACT	1 PCS	PhosphorBronze	MATTE Sn-plated
<b>广东科斯达电子科技有限公司</b> <b>GUANG DONG KE SI DA ELECTRONIC TECHNOLOGY CO., LTD.</b>				
X.±0.5	X.±5'	USE: CUSTOMER	PART NO.: L068K-01-000B1-R	
.X±0.3	.X±2'			
.XX±0.25	.XX±1'		APPD: 邵敬和	DWG NO.: GCCP-0405
--	--	CHKD: 田峰		
UNITS: mm		DR: 吴丹平	SCALE 1 : 1	SHEET 1 / 1

REV	ECN No.	DESCRIPTION	DESIGN	DATE
B0		Release	蒋建银	2018.04.18
B2		更改进线口形状为圆孔, 簧片内增加凸台, 宽度1.8位置改为2.6	蒋建银	2018.08.21



SUGGESTED PCB LAYOUT

**主要技术参数 Main Specifications**

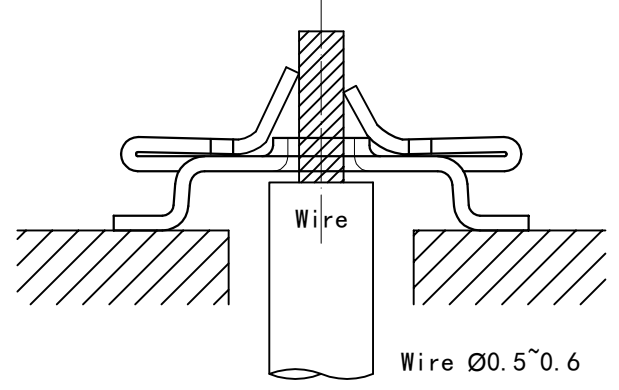
- 线数 (Poles): 01
- 接触电阻 (Contact resistance): ≤20mΩ
- 额定电压 (Rated voltage): 250 V AC DC
- 额定电流 (Rated current): 1.0A AC DC
- 温度范围 (Temperature Range): -45°C ~ +125°C

**ORDER INFORMATION:**

**L068K-01-000B1-R-2**

PART No. \_\_\_\_\_  
 No. FOR CIRCUITS: \_\_\_\_\_  
 01  
 PLASTIC MATERIAL: \_\_\_\_\_  
 000=No plastic parts

NO. 2: 无泡点  
 PACKAGING:  
 R=REEL  
 P=PE  
 METAL CODE:  
 1=PHOSPHORBRONZE  
 PLATING:  
 B=MATTE Sn



Assembly Layout

C				
B				
A	CONTACT	1 PCS	PhosphorBronze	MATTE Sn-plated
ITEM	COMPONENT	Q'TY	MATERIAL	FINISH
<b>广东科斯达电子科技有限公司</b> GUANG DONG KE SI DA ELECTRONIC TECHNOLOGY CO., LTD.		TITLE:		-
X.±0.5	X.±5'	USE:	CUSTOMER	PART NO.:
.X±0.3	.X±2'	APPD:	邵敬和	L068K-01-000B1-R-2
.XX±0.25	.XX±1'	CHKD:	田峰	DWG NO.:
--	--	DR:	蒋建银	GCCP-1142
UNITS: mm		SCALE	1 : 1	SHEET
				1 / 1