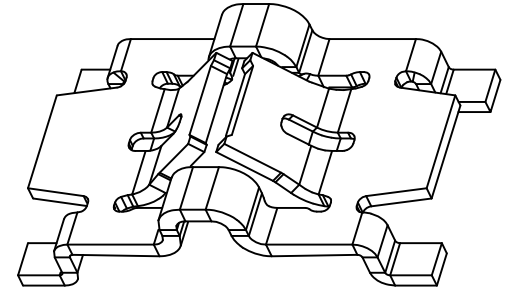
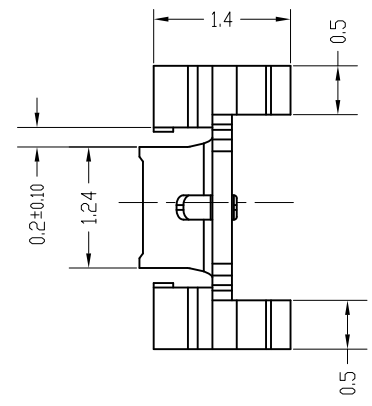
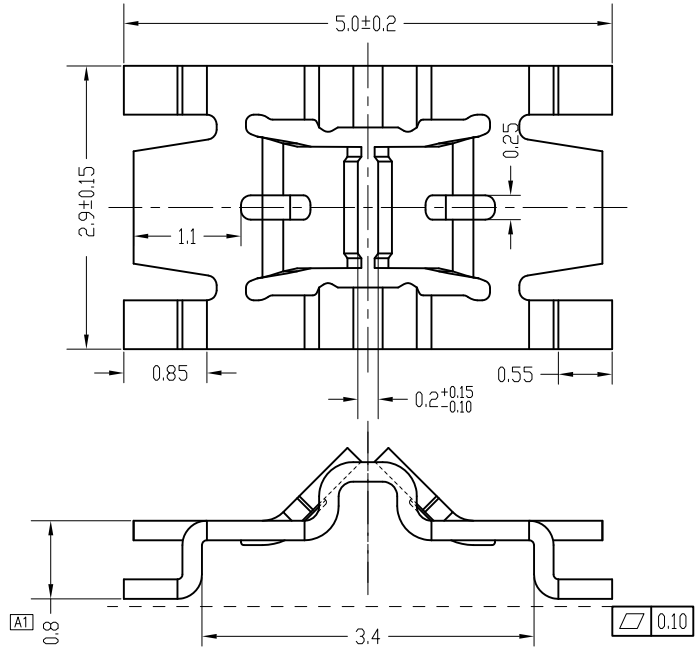
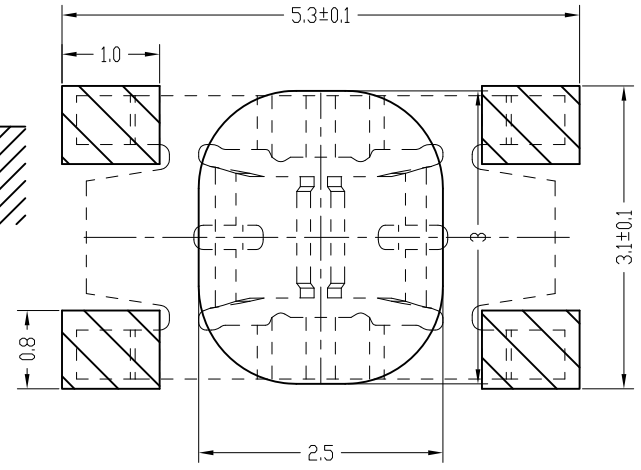
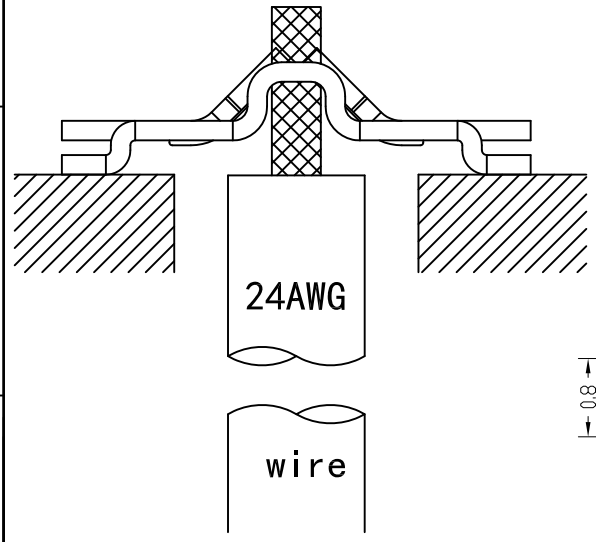


REV	DESCRIPTION	DESIGN	DATE
A0	NEW RELEASE	wdp	2017/07/05
A1	Modify 0.55 to 0.8	sjh	2017/11/28
AX1	New stamping tool	lzl	2019/05/29

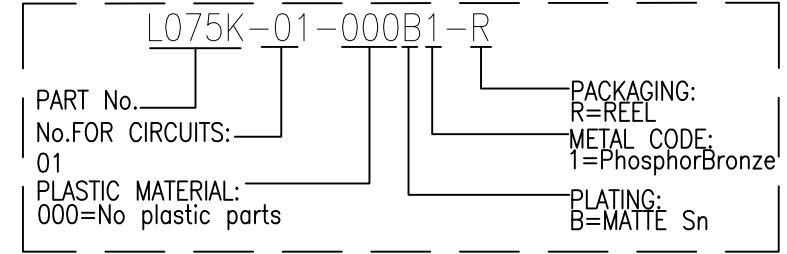


Specifications:
 Poles: 01
 Contact resistance: ≤30mΩ
 Rated voltage: 250V AC DC
 Rated current: 1.0A AC DC
 Temperature Range: -40°C ~ +125°C



Board Layout

ORDER INFORMATION:



广东科斯达电子科技有限公司 GUANG DONG KE SI DA ELECTRONIC TECHNOLOGY CO., LTD.		TITLE: LED BULB CONNECTOR	
GENERAL TOLERANCE X. ±0.50 X. ±5° X.X ±0.30 X.X ±2° X.XX ±0.20 X.XX ±1°		USE: CUSTOMER APPD: 王亮 CHKD: 刘振岭 DR: 蒋建银	
UNITS: mm		PART NO.: L075K-01-000B1-R DWG NO.: GCCP-1007	
		SCALE 1 : 1	SHEET 1 / 1