

A

B

C

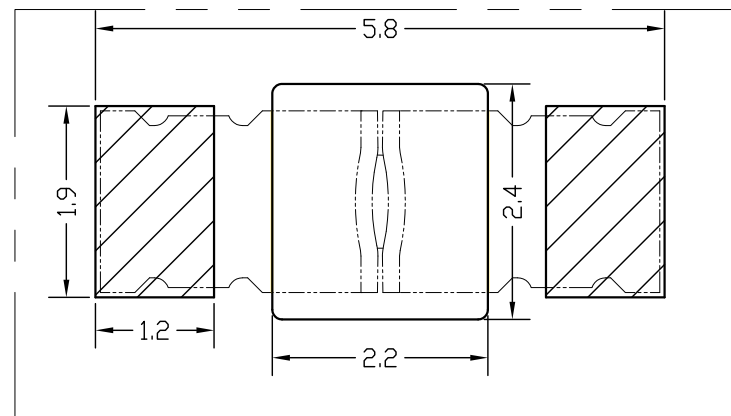
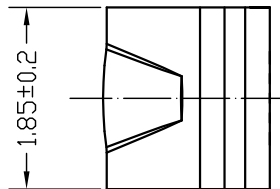
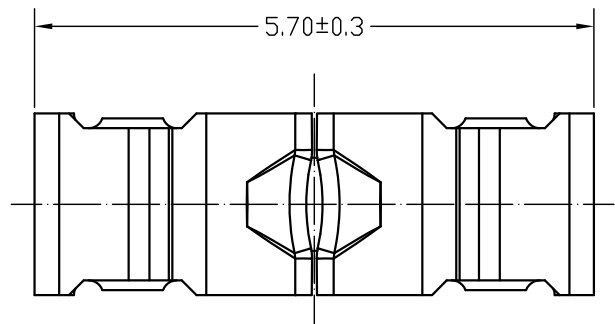
D

E

F

| REV | ECN No. | DESCRIPTION | DESIGN | DATE       |
|-----|---------|-------------|--------|------------|
| A0  |         | Release     | 蒋建银    | 2017.03.23 |

1



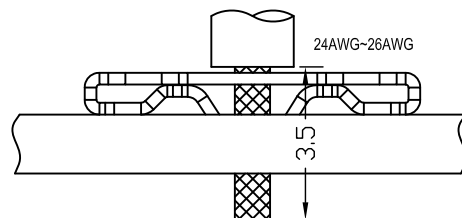
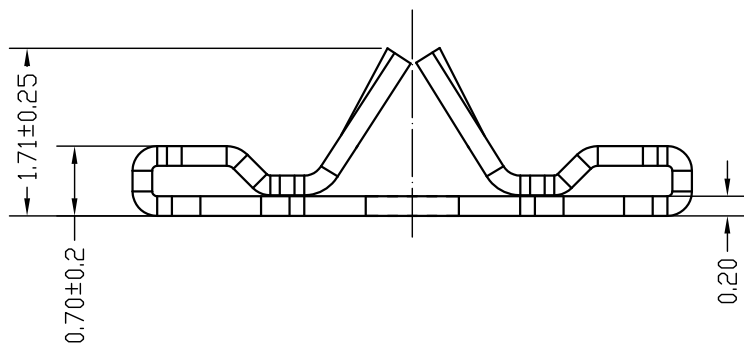
1

2

2

PCB LAYOUT

3



3

## 主要技术参数 Main Specifications

线 数 (Poles): 01

接触电阻 (Contact resistance):  $\leq 30\text{m}\Omega$ 

额定电压 (Rated voltage): 275V AC DC

额定电流 (Rated current): 1.0A AC DC

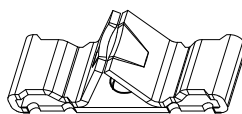
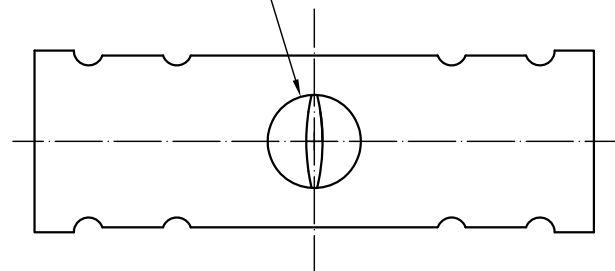
温度范围 (Temperature Range):  $-40^\circ\text{C} \sim +125^\circ\text{C}$ 

## ORDER INFORMATION:

|                         |                   |
|-------------------------|-------------------|
| L080K-01-000B1-R        |                   |
| PART No. _____          | PACKAGING: _____  |
| No. FOR CIRCUITS: _____ | R=REEL            |
| 01                      | METAL CODE: _____ |
| PLASTIC MATERIAL: _____ | 1=PhosphorBronze  |
| 000=No plastic parts    | PLATING: _____    |
|                         | B=MATTE Sn        |

4

4

 $\phi 0.95$ 

5

|   |           |           |                  |                 |
|---|-----------|-----------|------------------|-----------------|
| C   |           |           |                  |                 |
| B   |           |           |                  |                 |
| A   | CONTACT   | 1 PCS     | PhosphorBronze   | MATTE Sn-plated |
| ITEM  | COMPONENT | Q'TY      | MATERIAL         | FINISH          |
| <b>广东科斯达电子科技有限公司</b><br>GUANG DONG KE SI DA ELECTRONIC TECHNOLOGY CO., LTD. |           |           |                  | TITLE:<br>D:    |
| X.±0.5  | X.±5'     | USE:      | PART NO.:        |                 |
| .X±0.3  | .X±2'     | CUSTOMER  | L080K-01-000B1-R |                 |
| .XX±0.25  | .XX±1'    | APPD:     | DWG NO.:         |                 |
| --  | --        | 邵敬和       | GCCP-1096        |                 |
|   |           | CHKD:     | SCALE            | SHEET           |
|   |           | 田峰        | 1 : 1            | 1 / 1           |
|   |           | DR:       |                  |                 |
|   |           | 蒋建银       |                  |                 |
|   |           | UNITS: mm |                  |                 |

A

B

C

D

E

F