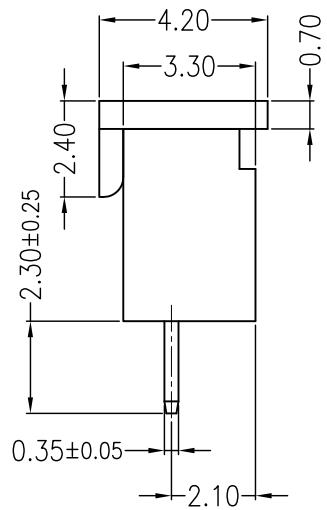
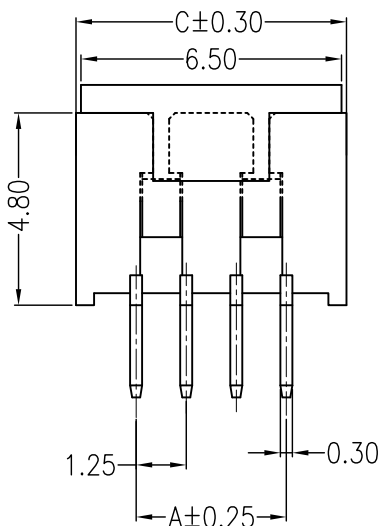
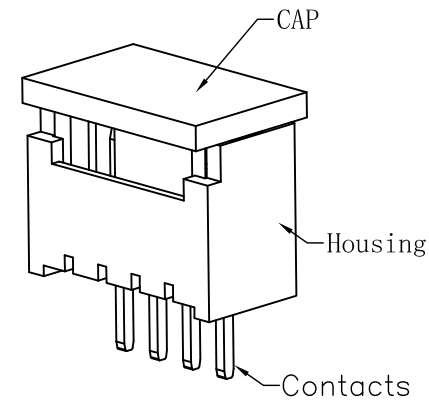
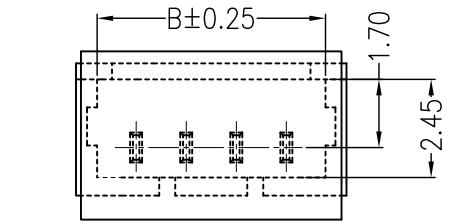
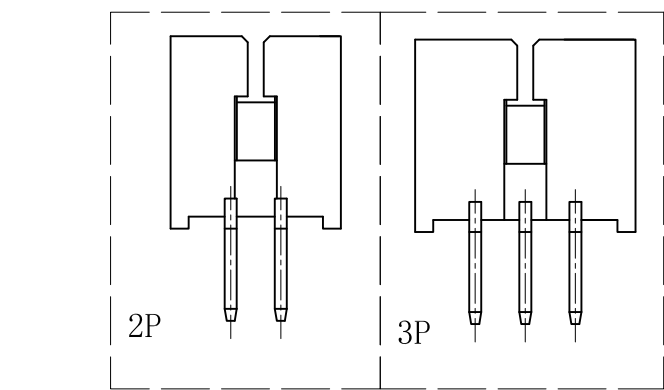
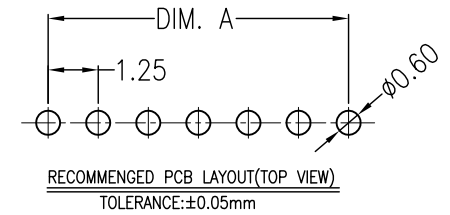


REV	DESCRIPTION	DESIGN	DATE
A	NEW RELEASE	Lingqing	2021/06/02

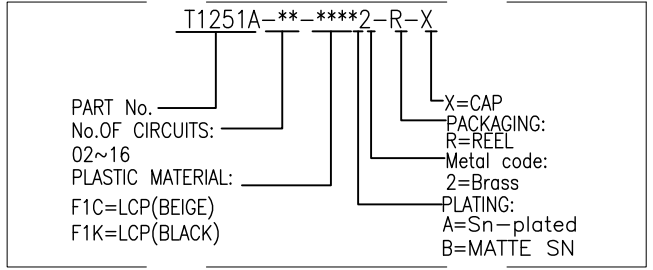


Specifications:
 Contact resistance: ≤20mΩ
 Insulation resistance: ≥100MΩ
 Rated voltage: 125V AC DC
 Rated current: 1.0A AC DC
 Withstand voltage: 500V AC/minute
 Temperature range: -25°C ~ +105°C
 Housing: LCP UL94V-0, Natural
 Cap: LCP UL94V-0, Natural
 Contacts: Brass/Sn-plated



Circuits	Dimensions (mm)		
	DIM. A	DIM. B	DIM. C
02	1.25	3.20	4.25
03	2.50	4.45	5.50
04	3.75	5.70	6.75
05	5.00	6.95	8.00
06	6.25	8.20	9.25
07	7.50	9.45	10.50
08	8.75	10.70	11.75
09	10.00	11.95	13.00
10	11.25	13.20	14.25
11	12.50	14.45	15.50
12	13.75	15.70	16.75
13	15.00	16.95	18.00
14	16.25	18.20	19.25
15	17.50	19.45	20.50
16	18.75	20.70	21.75

ORDER INFORMATION:

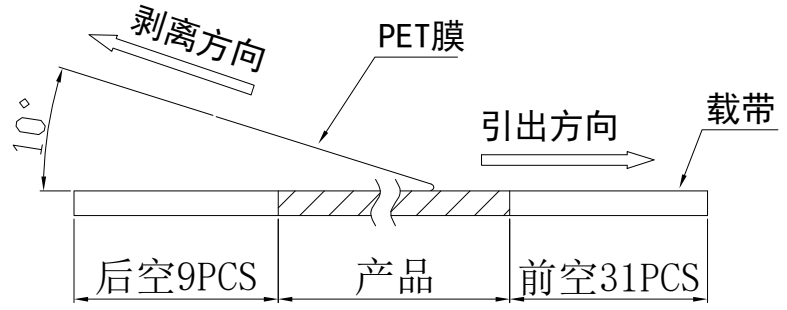
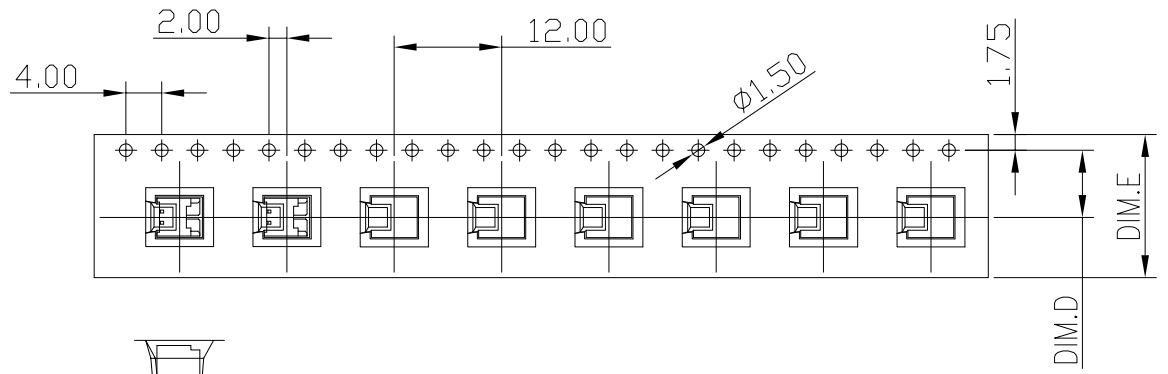


广东科斯达电子科技有限公司
 GUANG DONG KE SI DA ELECTRONIC TECHNOLOGY CO., LTD.

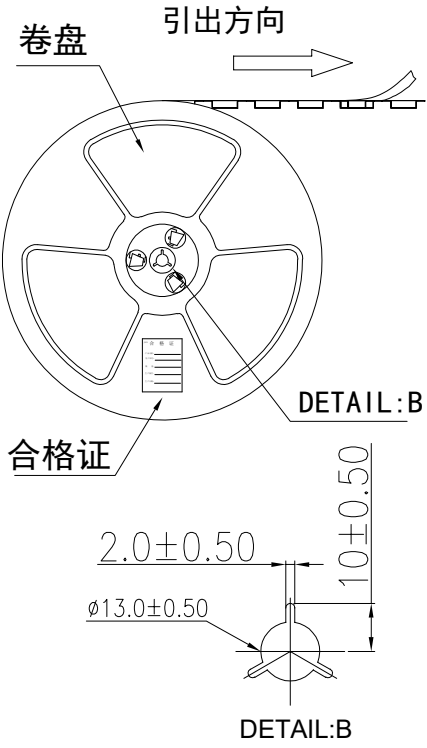
GENERAL TOLERANCE		USE:
X. ±0.50	X. ±5°	CUSTOMER
X.X ±0.30	X.X ±2°	APPD: Shaojinghe
X.XX ±0.20	X.XX ±1°	CHKD: Fangsongle
UNITS: mm		DR: Zenglingqing

TITLE: 1.25mm pitch 180°Wafe PIP type	
PART NO.: T1251A-**-****2-R-X	
DWG NO.: GCKH-0971	
SCALE 1 : 1	SHEET 1 / 1

REV	ECN No.	DESCRIPTION	DESIGN	DATE
A		Release	程永海	2022.08.22



(PET膜剥离示意图)



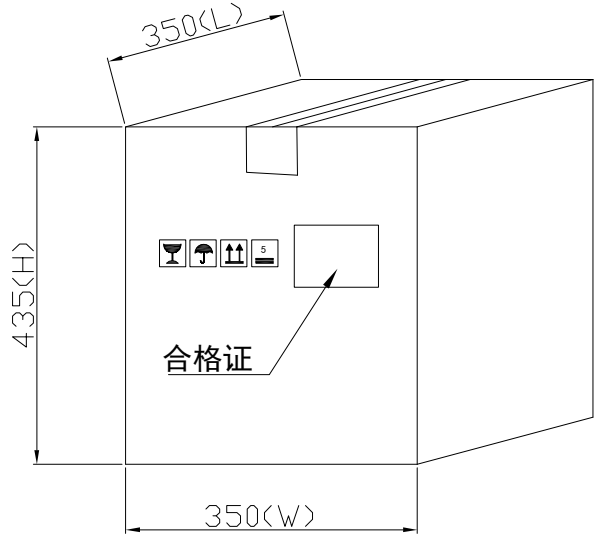
02~06 CONTACTS

产品引出方向

装*盘(参考列表一)

PE袋

外箱



包装说明:

- 把成品包入卷盘中, 每盘装800PCS, 卷盘上贴上合格证, 将装好产品的卷盘放进外箱中, 外箱内先套一个大PE袋, 外箱上贴贴上合格证。
- 所有材料有害物控制需符合RoHS标准。

列表一

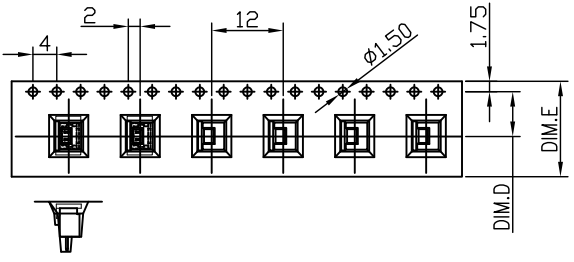
Circuits	DIM. D	DIM. E	Q'ty/Reel	Packing (Reel/Caton)
02-06 PIN	7.5	16	800PCS	20/Reel

广东科斯达电子科技有限公司
GUANG DONG KE SI DA ELECTRONIC TECHNOLOGY CO., LTD.

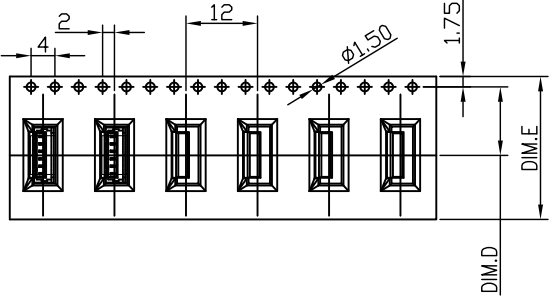
X.± 0.5	X.±'	USE: MANUFACTURE
.X± 0.3	.X±'	
.XX± 0.25	.XX±'	APPD: 邵敬和
--	--	CHKD: 蒋建银
		UNITS: mm
		DR: 程永海

TITLE: T1251AW	
PART NO.: T1251AW包装规范	
DWG NO.: GCKH-0972	
SCALE: 1 : 1	SHEET: 1 / 1

REV	ECN No.	DESCRIPTION	DESIGN	DATE
A		Release	程永海	2022.11.12

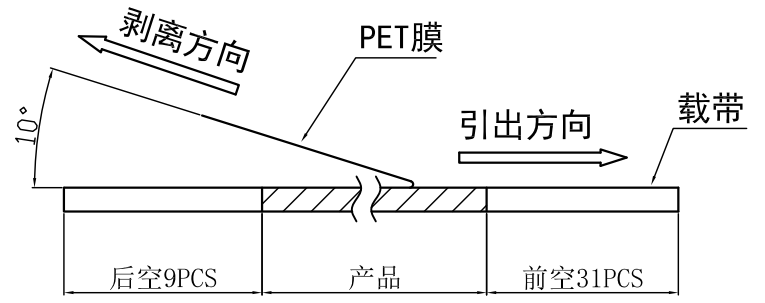


02~05 CONTACTS

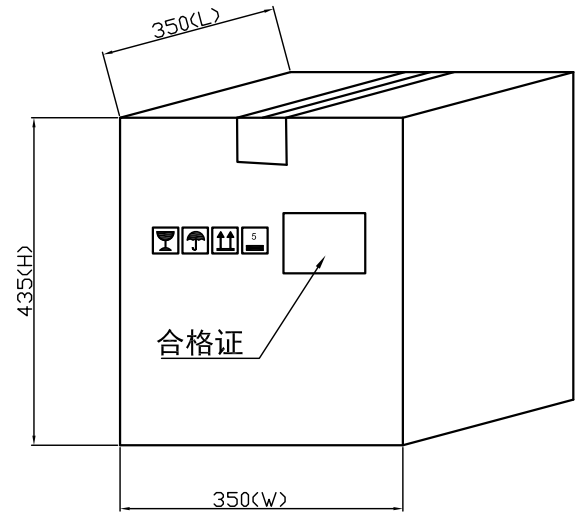
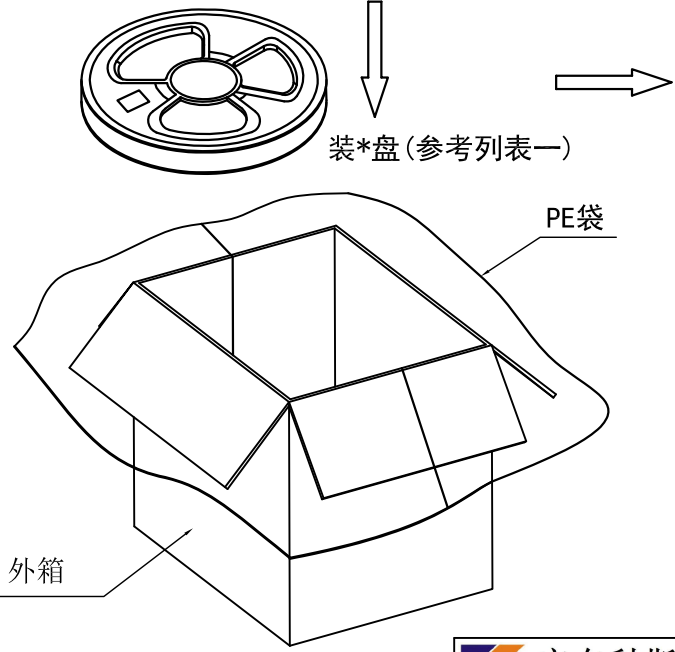
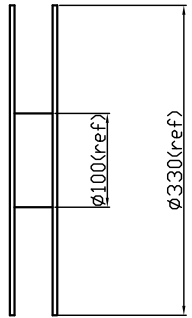
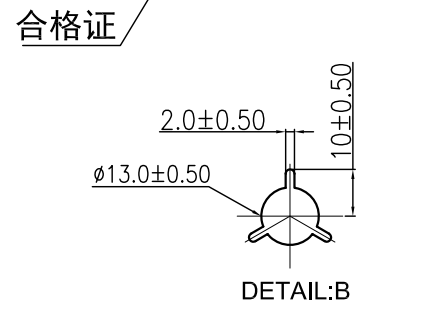
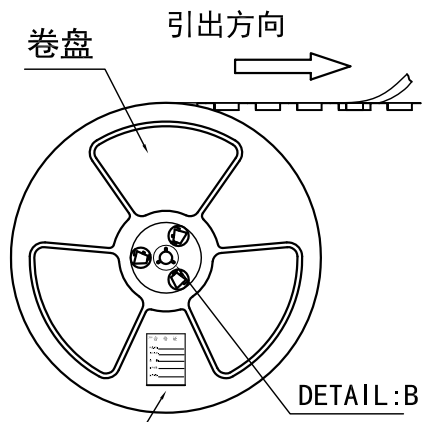


06 CONTACTS

产品引出方向



(PET膜剥离示意图)



列表一

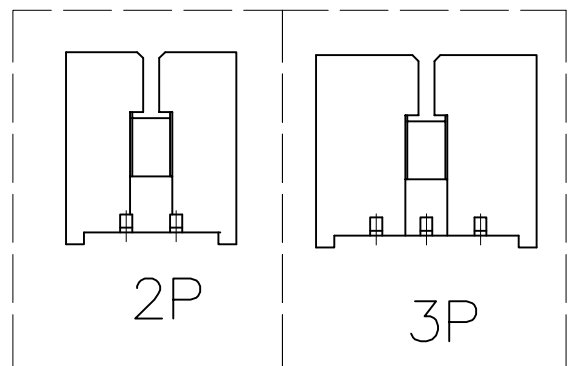
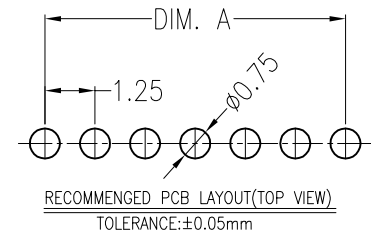
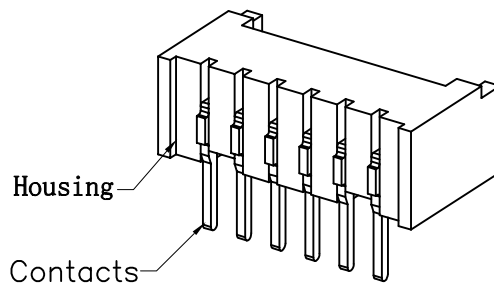
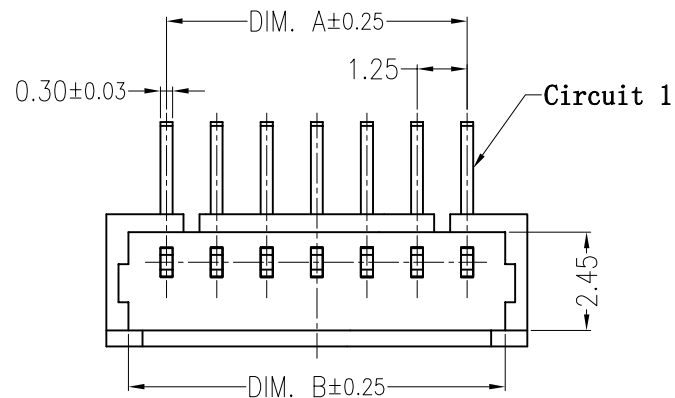
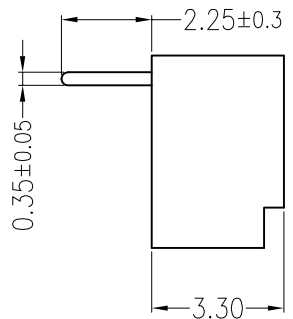
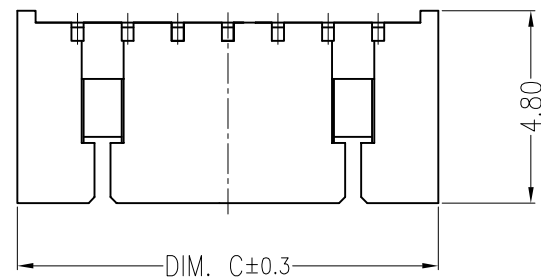
Circuits	DIM. D	DIM. E	Q'ty/Reel	Packing (Reel/Caton)
02-05 PIN	7.5	16	600PCS	20/Reel
06 PIN	11.5	24	600PCS	15/Reel

- 包装说明:
- 把成品包入卷盘中, 每盘装600PCS, 卷盘上贴上合格证, 将装好产品的卷盘放进外箱中, 外箱内先套一个大PE袋, 外箱上贴贴上合格证.
 - 所有材料有害物控制需符合RoHS标准.

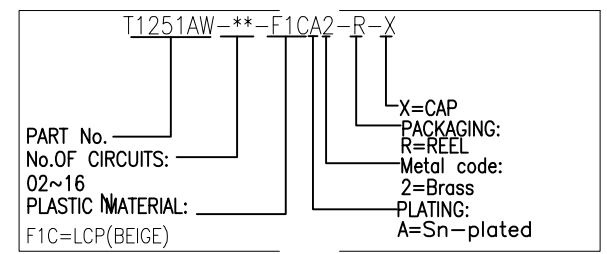
广东科斯达电子科技有限公司 GUANG DONG KE SI DA ELECTRONIC TECHNOLOGY CO., LTD.		TITLE: T1251A	
X.± 0.5	X.±'	USE:	MANUFACTURE
.X± 0.3	.X±'	APPD:	朱志刚
.XX±0.25	.XX±'	CHKD:	蒋建银
--	--	DR:	程永海
UNITS: mm		PART NO.: T1251A包装规范	
		DWG NO.: GCKH-0971	
		SCALE	SHEET
		1 : 1	1 / 1

REV	DESCRIPTION	DESIGN	DATE
A	NEW RELEASE	Lingqing	2021/06/02

Specifications:
 Contact resistance: $\leq 20m\Omega$
 Insulation resistance: $\geq 100M\Omega$
 Rated voltage: 125V AC DC
 Rated current: 1.0A AC DC
 Withstand voltage: 500V AC/minute
 Temperature range: $-25^{\circ}C \sim +105^{\circ}C$
 Housing: LCP UL94V-0, Natural
 Contacts: Brass/Sn-plated



ORDER INFORMATION:



Circuits	Dimensions (mm)		
	DIM. A	DIM. B	DIM. C
02	1.25	3.20	4.25
03	2.50	4.45	5.50
04	3.75	5.70	6.75
05	5.00	6.95	8.00
06	6.25	8.20	9.25
07	7.50	9.45	10.50
08	8.75	10.70	11.75
09	10.00	11.95	13.00
10	11.25	13.20	14.25
11	12.50	14.45	15.50
12	13.75	15.70	16.75
13	15.00	16.95	18.00
14	16.25	18.20	19.25
15	17.50	19.45	20.50
16	18.75	20.70	21.75

广东科斯达电子科技有限公司
 GUANG DONG KE SI DA ELECTRONIC TECHNOLOGY CO., LTD.

GENERAL TOLERANCE		USE:
X. ±0.50	X. ±5'	CUSTOMER
X.X ±0.30	X.X ±2'	APPD: Shaojinghe
X.XX ±0.20	X.XX ±1'	CHKD: Fangsongle
	UNITS: mm	DR: Zenglingqing

TITLE: 1.25mm pitch 90°Wafe PIP type	
PART NO.: T1251AW-**-F1CA2-R-X	
DWG NO.: GCKH-0972	
SCALE 1 : 1	SHEET 1 / 1