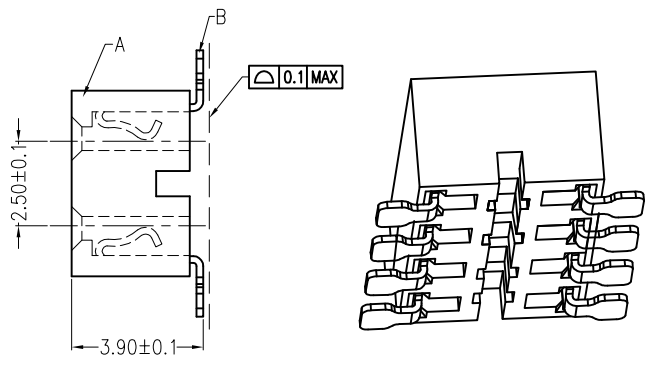
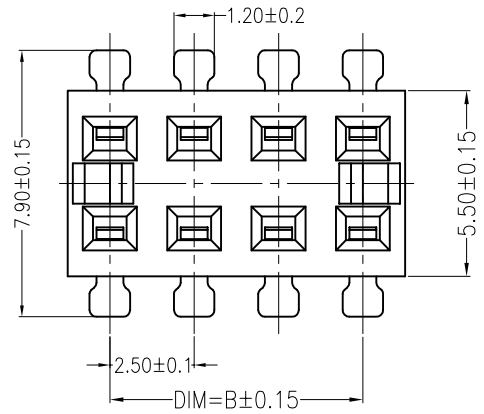
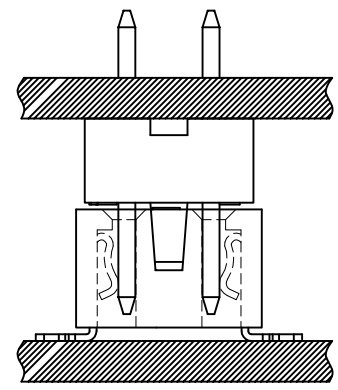
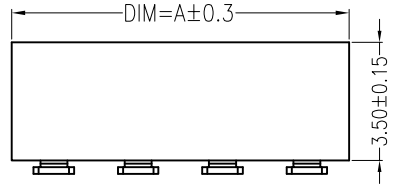


REV	ECN No.	DESCRIPTION	DESIGN	DATE
A0		Release	李润	2015.12.28



主要技术参数 Main Specifications

线 数 (Poles): 04 to 12
 接触电阻 (Contact resistance): $\leq 20m\Omega$
 绝缘电阻 (Insulation resistance): $\geq 1000M\Omega$
 额定电压 (Rated voltage): 125V AC DC
 额定电流 (Rated current): 1.0A AC DC
 耐 电 压 (Withstand Voltage): 1000V AC/minute
 温度范围 (Temperature Range) : $-40^{\circ}C \sim +110^{\circ}C$



Assembly Layout

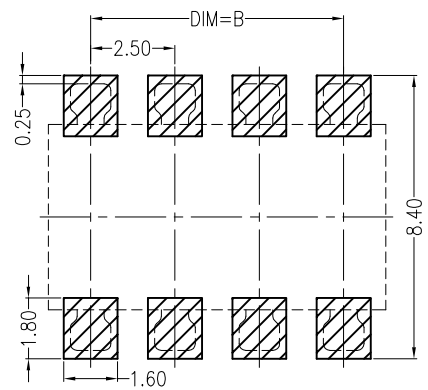
ORDER INFORMATION:

L041AWV-*-B1MB-R**

PART No. _____
 No. FOR CIRCUITS: _____

 PLASTIC MATERIAL: _____
 B1M=PA46 (BEIGE)

PACKAGING:
 R=RELL
 PLATING:
 B=MATTE Sn



Board Layout
General Tolerance: ± 0.05

Circuit	Dimensions (mm)	
	DIM=A	DIM=B
L041AWV-2X2	5.00	2.50
L041AWV-2X3	7.50	5.00
L041AWV-2X4	10.00	7.50
L041AWV-2X5	12.50	10.00
L041AWV-2X6	15.00	12.50

ITEM	COMPONENT	Q'TY	MATERIAL	FINISH
C				
B	CONTACT	4~12PCS	PhosphorBronze	MATTE Sn
A	HOUSING	1 PCS	PA46	UL 94V-0, COLOR:BEIGE

广东科斯达电子科技有限公司 GUANG DONG KE SI DA ELECTRONIC TECHNOLOGY CO., LTD.		TITLE: - 2.5mmPITCH 180°WAFER DIP TYPE
X. ± 0.5 .X ± 0.3 .XX ± 0.25 -- UNITS: mm	X. $\pm 5^{\circ}$.X $\pm 2^{\circ}$.XX $\pm 1^{\circ}$ --	USE: CUSTOMER APPD: 邵敬和 CHKD: 田峰 DR: 吴丹平
		PART NO.: L041AWV-***-B1MB-R DWG NO.: GCCP-0205
		SCALE: 1 : 1 SHEET: 1 / 1