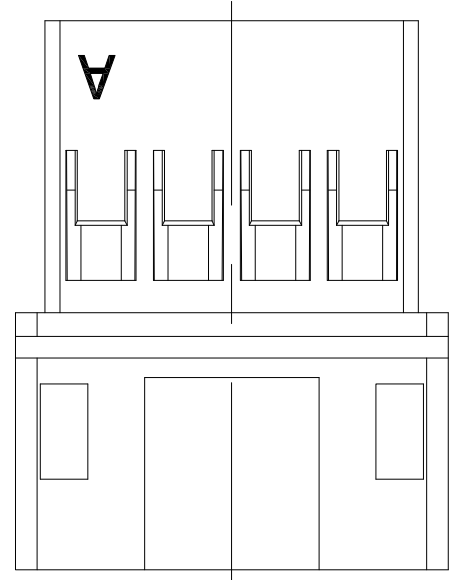
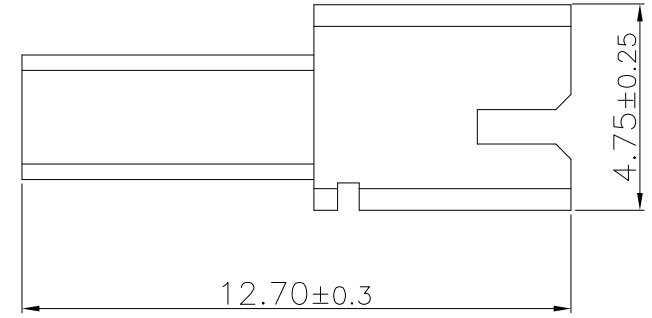
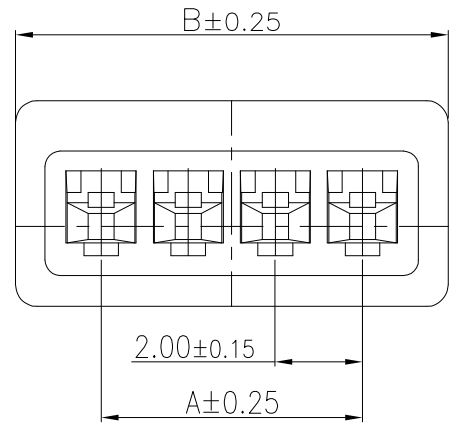


REV	ECN No.	DESCRIPTION	DESIGN	DATE
A0	-	Release	吴丹平	2017.06.02


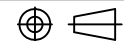


线数 (N)	尺寸 mm	
	A	B
2	2.00	6.00
3	4.00	8.00
4	6.00	10.00
5	8.00	12.00
6	10.00	14.00
7	12.00	16.00
8	14.00	18.00
9	16.00	20.00
10	18.00	22.00
11	20.00	24.00
12	22.00	26.00
13	24.00	28.00
14	26.00	30.00
15	28.00	32.00

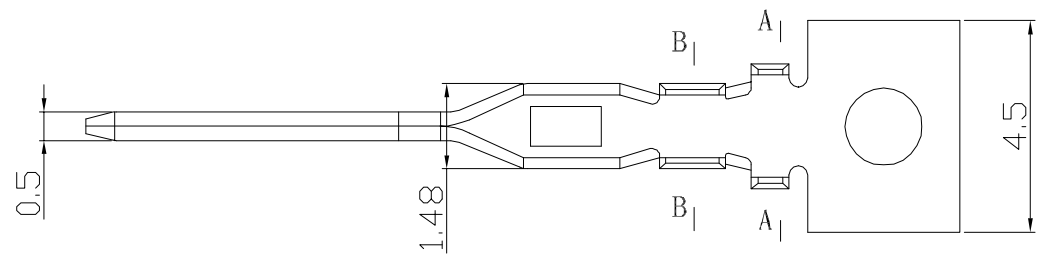
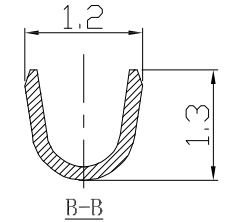
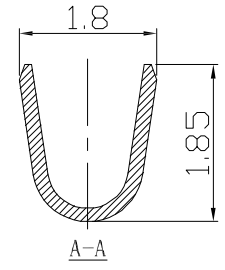
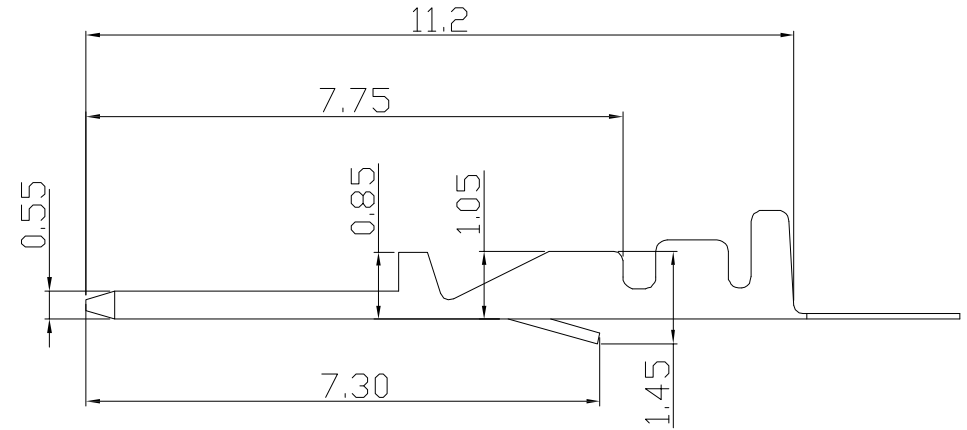
技术说明:

Craft specifications

1. 材质 Material: PA66, UL94V-0.
2. 额定电流 Current rating: 1.0A AC, DC
3. 额定电压 Voltage rating: 50V AC, DC
4. 温度范围 Temperature range: -25°C to 85°C
5. 接触电阻 Contact resistance: ≤20 mΩ
6. 绝缘电阻 Insulation resistance: ≥500 MΩ



C					
B					
A	PEDESTAL		1 PCS	PA66	COLOR:WHITE
ITEM	COMPONENT		Q'TY	MATERIAL	FINISH
 广东科斯达电子科技有限公司 GUANG DONG KE SI DA ELECTRONIC TECHNOLOGY CO., LTD.			TITLE: C2002R		
X.±0.5	X.±5'	USE:	CUSTOMER		
.X±0.3	.X±2'	APPD:	邵敬和		
.XX±0.25	.XX±1'	CHKD:	田峰		
--	--	DR:	吴丹平		
 UNITS: mm		SCALE	SHEET		
		1 : 1	1 / 1		

REV	ECN No.	DESCRIPTION	DESIGN	DATE
A0		Release	蒋建银	2018.01.20



Ordering Information & Specification:

Part No	Wire Range	Insulation O.D.	Material	Finish	Qty/Reel
C2002RT-PA	AWG #22~#28	1.0~1.50mm	Phosphor bronze	Sn-plated	10,000 pcs

 广东科斯达电子科技有限公司 GUANG DONG KE SI DA ELECTRONIC TECHNOLOGY CO., LTD.			TITLE: C2002RT		
X.±0.5	X.±5°	USE: CUSTOMER	PART NO.:		
.X±0.3	.X±2°		C2002RT-PA		
.XX±0.25	.XX±1°	APPD: 邵敬和	DWG NO.:		
--	--	CHKD: 田峰	GCDZ-0072		
		DR: 吴丹平	SCALE 1 : 1	SHEET 1 / 1	