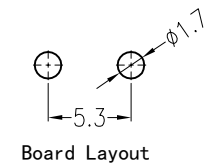
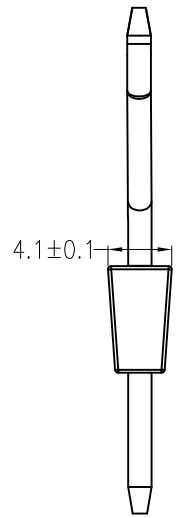
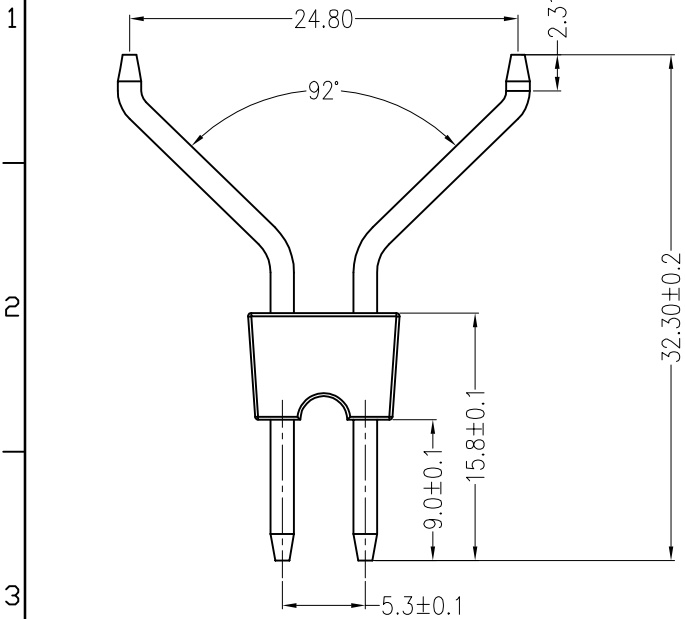


REV	DESCRIPTION	DESIGN	DATE
A0	Release	李润	2016.04.20



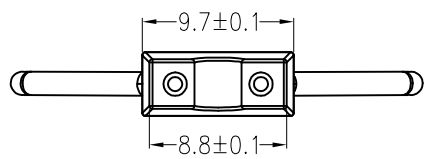
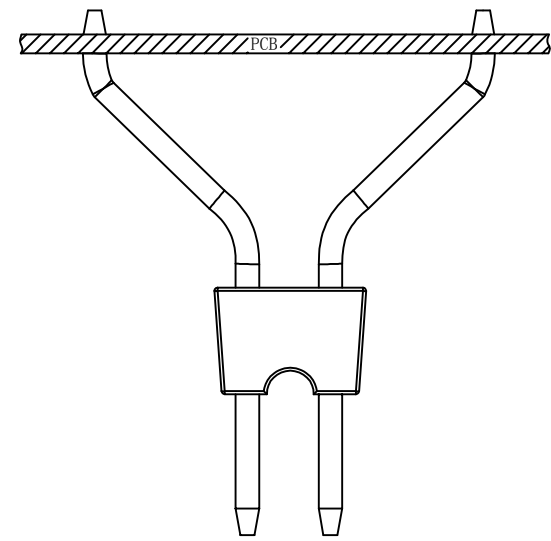
主要技术参数 Main Specifications

线数 (Poles): 02
 接触电阻 (Contact resistance): $\leq 20m\Omega$
 绝缘电阻 (Insulation resistance): $\geq 1000M\Omega$
 额定电压 (Rated voltage): 250V AC DC
 额定电流 (Rated current): 3.0A AC DC
 耐电压 (Withstand Voltage): 1800V AC/minute
 温度范围 (Temperature Range): $-40^{\circ}C \sim +110^{\circ}C$

ORDER INFORMATION:

L025-02-B1MG-P-A

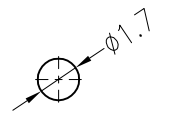
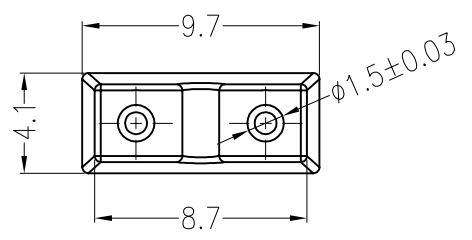
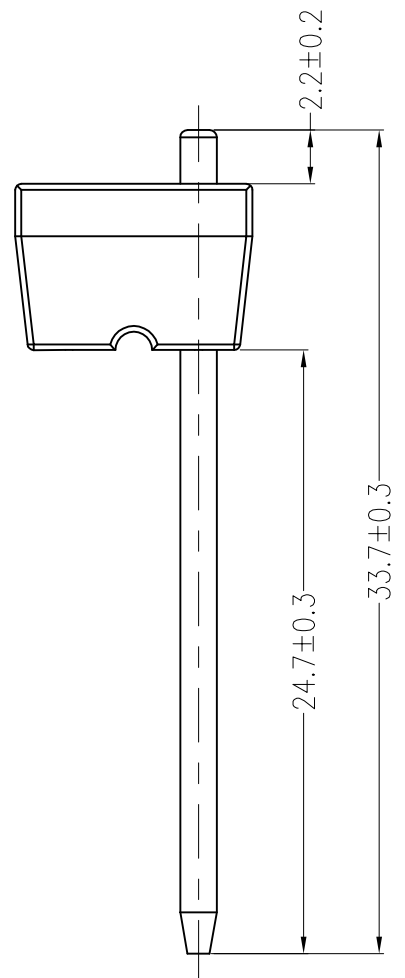
PART No. _____	SPECIAL CODE: A=The client code
No. FOR CIRCUITS: _____	PACKAGING: P=PE
02	PLATING: G=Ni
PLASTIC MATERIAL: _____	
B1M=PA46 (BEIGE)	



Assembly Layout

C				
B	CONTACT	2 PCS	Brass	Ni-plated
A	PEDESTAL	1 PCS	PA46	UL 94V-0, COLOR:BEIGE
ITEM	COMPONENT	Q'TY	MATERIAL	FINISH
東莞市高迪電子有限公司 DONG GUAN GAO DI ELECTRONICS CO., LTD				TITLE: - 5.3mmPITCH 180°
X.±0.5	X.±5'	USE:	PART NO.:	
.X±0.3	.X±2'	CUSTOMER	L025-02-B1MG-P-A	
.XX±0.25	.XX±1'	APPD: 邵敬和	DWG NO.:	
--	--	CHKD: 田峰	CCP-0046	
		DR: 蒋建银	SCALE	SHEET
	UNITS: mm		1 : 1	1 / 1

REV	ECN No.	DESCRIPTION	DESIGN	DATE
A0		Release	吴丹平	2017.04.21

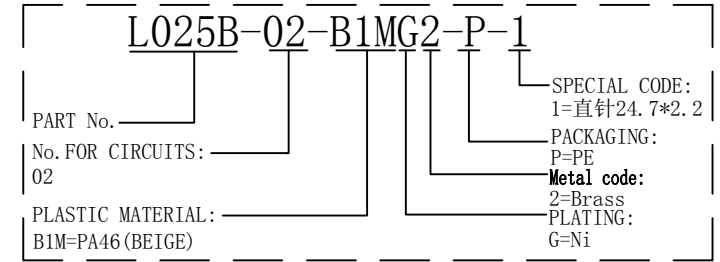


Board Layout

主要技术参数 Main Specifications

线 数 (Poles): 02
 接触电阻 (Contact resistance): $\leq 20m\Omega$
 绝缘电阻 (Insulation resistance): $\geq 1000M\Omega$
 额定电压 (Rated voltage): 250V AC DC
 额定电流 (Rated current): 3.0A AC DC
 耐 电压 (Withstand Voltage): 1800V AC/minute
 温度范围 (Temperature Range) : $-40^{\circ}C \sim +110^{\circ}C$

ORDER INFORMATION:



ITEM	COMPONENT	Q'TY	MATERIAL	FINISH
C				
B	CONTACT	1 PCS	Brass	Ni-plated
A	HOUSING	1 PCS	PA46	UL 94V-0, COLOR:BEIGE

东莞市高迪电子有限公司 DONG GUAN GAO DI ELECTRONICS CO., LTD			TITLE: L025B-02-1P 5.3Pitch 180°wafer dip type	
X.±0.5	X.±5'	USE: CUSTOMER	PART NO.:	
.X±0.3	.X±2'		L025B-02-B1MG2-P-1	
.XX±0.25	.XX±1'	APPD: 邵敬和	DWG NO.:	
--	--	CHKD: 田 峰	GCCP-0454	
	UNITS: mm	DR: 吴丹平	SCALE 1 : 1	SHEET 1 / 1