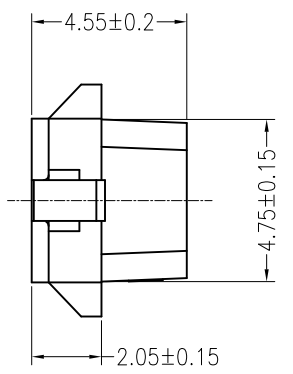
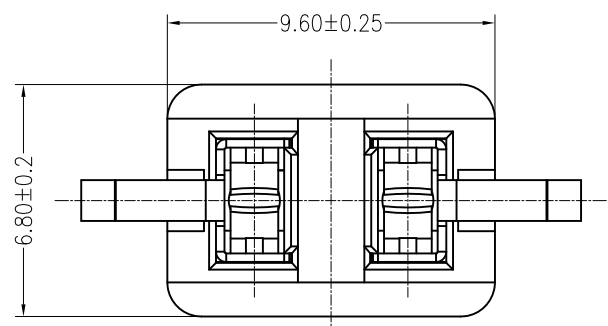
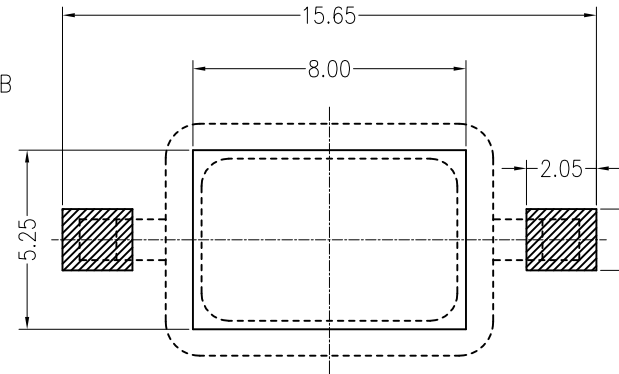
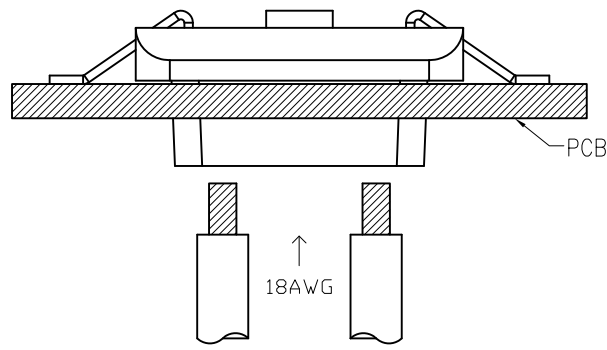
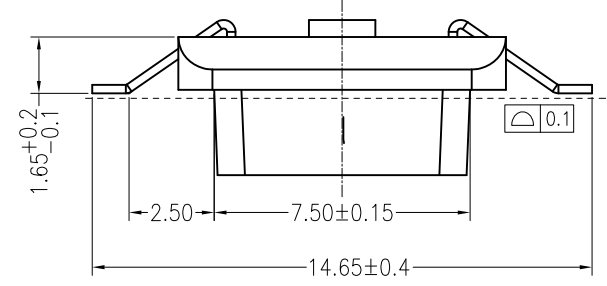
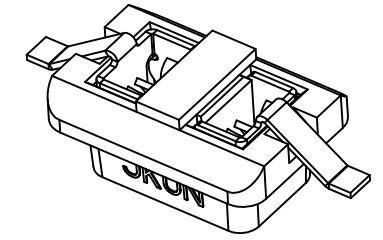


REV	DESCRIPTION	DESIGN	DATE
A0	NEW RELEASE	Lingqing	2019/11/30

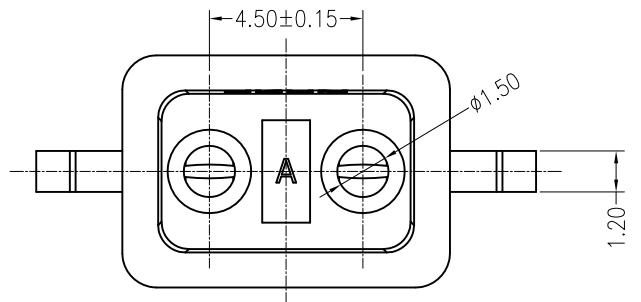


Specifications:
 Contact resistance: ≤20mΩ
 Insulation resistance: ≥1000MΩ
 Rated voltage: 275V AC DC
 Rated current: 2.0A AC DC
 Withstand Voltage: 1000V AC/minute
 Temperature Range: -40°C ~ +120°C
 Housing: LCP UL94V-0, BEIGE
 Contacts: Phosphor bronze/MATTE Sn-plated



Assembly Layout

Board Layout
 General Tolerance: ±0.05



ORDER INFORMATION:

L4501AFV-02-F8MB1-R	
PART No. _____	PACKAGING: R=REEL
No.OF CIRCUITS: _____	Metal code: 1=PhosphorBronze
02	PLATING: B=MATTE Sn
PLASTIC MATERIAL: _____	F8M=LCP

广东科斯达电子科技有限公司 GUANG DONG KE SI DA ELECTRONIC TECHNOLOGY CO., LTD.		TITLE: 4.5Pitch 180°wafer smt type	
		PART NO.: L4501AFV-02-F8MB1-R	
GENERAL TOLERANCE		USE: CUSTOMER	
X. ±0.50	X. ±5'	APPD: Liuzhengling	
X.X ±0.30	X.X ±2'	CHKD: Steven	
X.XX ±0.20	X.XX ±1'	DR: Zenglingqing	
UNITS: mm		SCALE 1 : 1	SHEET 1 / 1